

DALLAS COLLEGE

CEDAR VALLEY CAMPUS - ONE STOP SHOP

3030 N DALLAS AVE - LANCASTER, TX 75134

VISION DRAFTING, INC.

BY	DATE	REVISION NO.	BY	DATE	REVISION NO.
B.G.	12/22/2021	REVISION #1	B.G.	11/30/2021	1
B.G.	01/19/2022	REVISION #2	B.G.	01/26/2022	

GENERAL NOTES

US ALUMINUM SYSTEM(S) USED

GLAZING SCHEDULE

SHEET SUMMARY

ABBREVIATIONS / SYMBOLS

1. ALL DIMENSIONS REQUIRED FOR FABRICATION OF WINDOW MATERIALS SHALL BE FIELD VERIFIED OR RELEASED BY THE GENERAL CONTRACTOR PRIOR TO FABRICATION.

2. ERECTION AND GLAZING PROCEDURES ARE TO BE IN ACCORDANCE WITH PROCEDURES IN THE INSTALLATION MANUAL.

FLUSH FRONT STOREFRONT SYSTEM
(1 3/4" X 4 1/2") FLUSH IN AND FLUSH OUT AS SHOWN IN DETAILS

SERIES 2000 SLIDING DOORS

G1 = 1/4" CLEAR GLASS

G2 = 1/2" CLEAR GLASS WITH POLISHED EDGES

G3 = 1/4" FROSTED GLASS

G4 = LAMINATED GLASS WITH COLOR INTERLAYER

G5 = 1/2" FROSTED GLASS WITH POLISHED EDGES

101 COVER
102 DOOR & HARDWARE SCHEDULE
201 KEY PLAN
301-305 ELEVATIONS
401-408 DETAILS

TOTAL (16) SHEETS

CL = CENTER LINE
DO = DOOR OPENING
DLO = DAY LIGHT OPENING
DS = DOOR SIZE
FH = FRAME HEIGHT
FW = FRAME WIDTH
GW = GLASS WIDTH
GC = GENERAL CONTRACTOR
NB = NOT BY
NTS = NOT TO SCALE
REF DIM = REFERENCE DIMENSION
RO = ROUGH OPENING
V.I.F. = VERIFY IN THE FIELD

CR LAURENCE SYSTEM(S) USED

* INDICATES TEMPERED GLASS

BP STYLE 1/2" GLASS DOORS WITH TRANSOM

P STYLE 1/2" GLASS DOORS

- = COLORED INTERLAYER GLAZING AREA
- = FROSTED GLAZING AREA
- = REVISION
- = ELEVATION
- = DETAIL CUT
- = BENCH MARK
- = SECTION CALLOUT
- = GLASS TYPE

FINISH

APPROVAL AREA

CLEAR ANODIZED

ARCHITECT

GENERAL CONTRACTOR

ADDITIONAL NOTES

ARCHITECTURAL DRAWINGS:
ISSUED FOR PERMIT - REVISION #2 - 08/02/2021

ALL ELEVATIONS ARE DRAWN AS VIEWED FROM THE OUTSIDE. ELEVATION MARKERS ARE PLACED ON SHEET 201 FOR CLARITY.

REVISION #4 - ASI #2 - 12/16/2021

COMMENTS "REVIEWED: REVISE AND RESUBMIT"
01/13/2022

GLAZING CONTRACTOR

PRINTS ISSUED FOR:
1ST APPROVAL
SHOP USE

PROJECT NAME/LOCATION
DALLAS COLLEGE
CEDAR VALLEY CAMPUS - ONE STOP SHOP
3030 N DALLAS AVE - LANCASTER, TX 75134

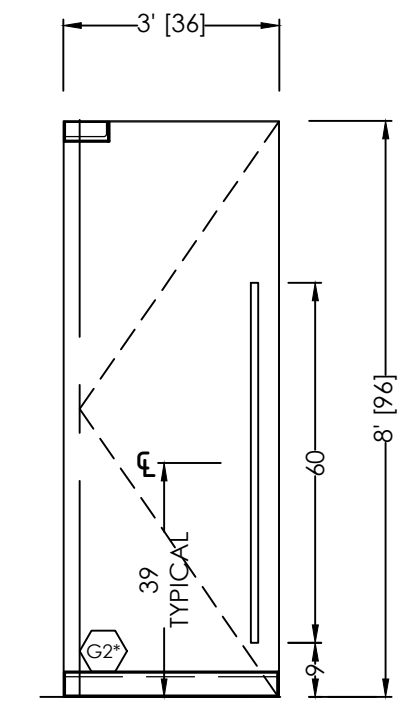
SCALE: N.T.S.

SHEET NO.
101

TYPICAL ELEVATION NOTES:
 • PLEASE VERIFY ALL DIMENSIONS PRIOR TO FABRICATION AND INSTALLATION.
 • PLEASE VERIFY ALL GLAZING MARKS

HARDWARE SET FOR SINGLE BP STYLE 1/2" GLASS ENTRANCES			
QUANTITY	HARDWARE TYPE	FINISH	MANUFACTURER / PART NUMBER
1	TOP PATCH WITH PIVOT	CLEAR ANODIZED	CRL / PH20A
2	TRANSOM PATCHES	CLEAR ANODIZED	CRL / PH34
1	DOOR STOP INSERT	CLEAR ANODIZED	CRL / INT306
1	LADDER PULL SET	CLEAR ANODIZED	CRL / 60"
1	TAPERED BOTTOM RAIL	CLEAR ANODIZED	CRL / STANDARD 4"
1	FLOOR CLOSER	CLEAR ANODIZED	RIXSON / 28

FINISH FLOOR
0'-0"



TYPICAL SIZE, REFERENCE
"300" SHEETS FOR HANDING
AND DIRECTION OF SWING



VISION DRAFTING, INC.
 TEL: (479) 456-9723
 RGRAHAM@VISIONDRAFTING.NET
 WWW.VISIONDRAFTING.NET

BY	DATE	REVISION NO.
B.G.	12/22/2021	REVISION #1
B.G.	01/19/2022	REVISION #2

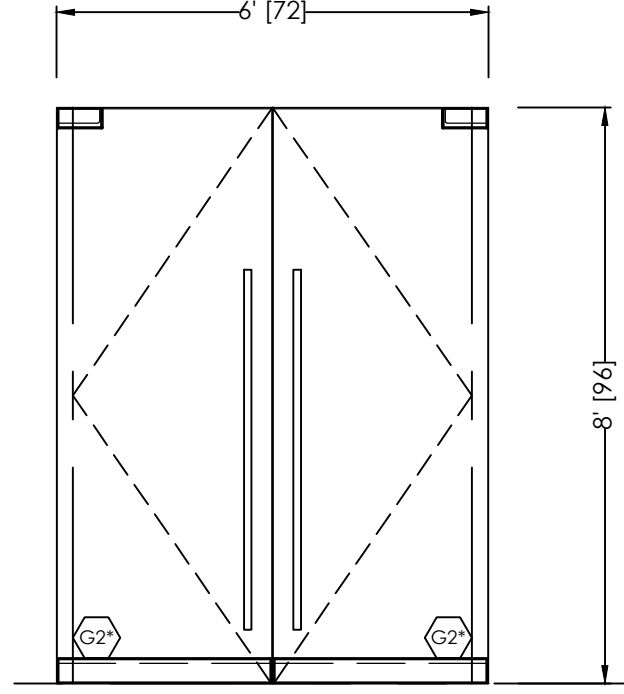
1 HARDWARE SCHEDULE
SCALE: N.T.S.

2 DOOR ELEVATION
SCALE: 3/8" = 1'-0"

BP STYLE DOORS
WITH TRANSOM

HARDWARE SET FOR PAIRED BP STYLE 1/2" GLASS ENTRANCES			
QUANTITY	HARDWARE TYPE	FINISH	MANUFACTURER / PART NUMBER
2	TOP PATCHES WITH PIVOTS	CLEAR ANODIZED	CRL / PH20A
2	TRANSOM PATCHES, FOR PIVOTS	CLEAR ANODIZED	CRL / PH34
1	TRANSOM PATCH WITH STOPS	CLEAR ANODIZED	CRL / PH70
2	LADDER PULL SETS	CLEAR ANODIZED	CRL / 60"
2	TAPERED BOTTOM RAILS	CLEAR ANODIZED	CRL / STANDARD 4"
2	FLOOR CLOSERS	CLEAR ANODIZED	RIXSON / 28

FINISH FLOOR
0'-0"



TYPICAL SIZE, REFERENCE
"300" SHEETS FOR
DIRECTION OF SWING

BY	DATE	REVISION NO.
B.G.	11/30/2021	REVISION #1
B.G.	01/26/2022	REVISION #2

DATE	BY	DESCRIPTION
01/19/2022	B.G.	SHOP USE

PRINTS ISSUED FOR
1ST APPROVAL
SHOP USE

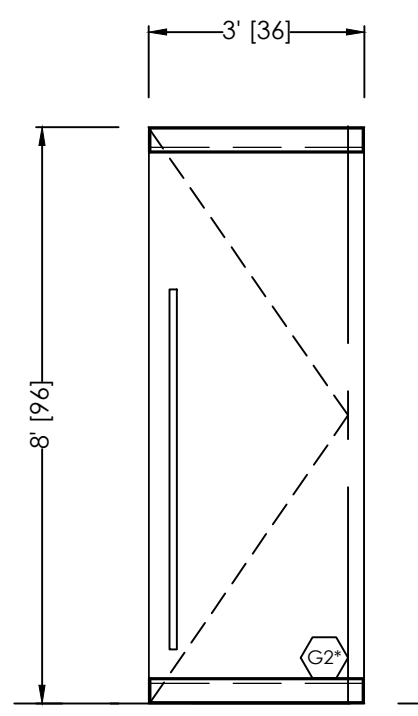
3 HARDWARE SCHEDULE
SCALE: N.T.S.

4 DOOR ELEVATION
SCALE: 3/8" = 1'-0"

BP STYLE DOORS
WITH TRANSOM

HARDWARE SET FOR SINGLE P STYLE 1/2" GLASS ENTRANCES			
QUANTITY	HARDWARE TYPE	FINISH	MANUFACTURER / PART NUMBER
1	TAPERED TOP RAIL WITH PIVOT	CLEAR ANODIZED	CRL / STANDARD 4"
1	LADDER PULL SET	CLEAR ANODIZED	CRL / 60"
1	TAPERED BOTTOM RAIL	CLEAR ANODIZED	CRL / STANDARD 4"
1	HEADER MOUNT DOOR STOP	ALUMINUM	CRL / INT307A
1	FLOOR CLOSER	CLEAR ANODIZED	RIXSON / 28

FINISH FLOOR
0'-0"



TYPICAL SIZE, REFERENCE
"300" SHEETS FOR HANDING
AND DIRECTION OF SWING

ARCHITECT/LOCATION

DALLAS COLLEGE
CEDAR VALLEY CAMPUS - ONE STOP SHOP
3030 N DALLAS AVE - LANCASTER, TX 75134

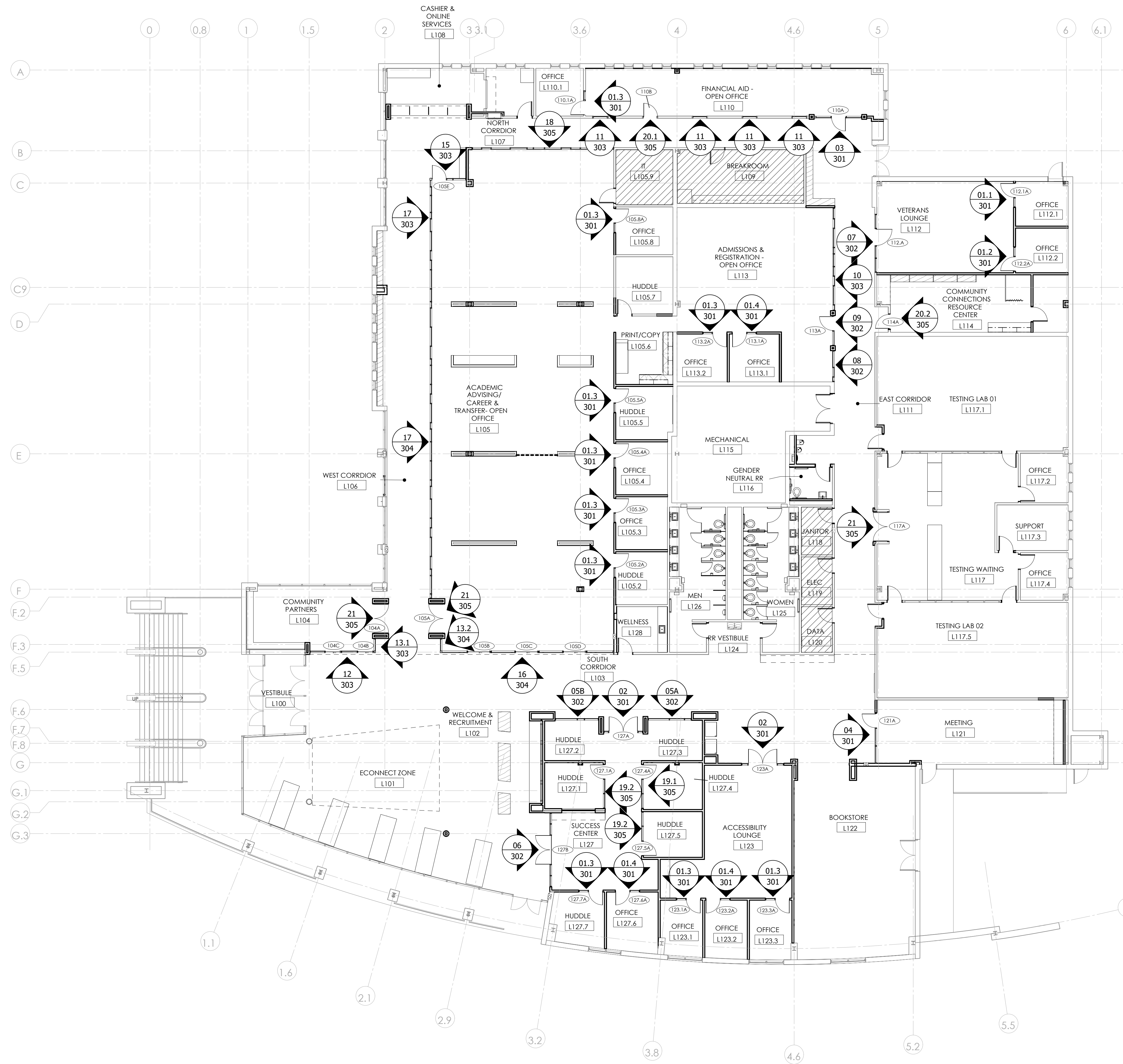
SCALE: 3/8" = 1'-0"

5 HARDWARE SCHEDULE
SCALE: N.T.S.

6 DOOR ELEVATION
SCALE: 3/8" = 1'-0"

P STYLE DOORS

SHEET NO.
102



**GROUND LEVEL
KEY PLAN**

ARCH REF: A1-01 3/32" = 1'-0" 1



VISION DRAFTING, INC.
TEL: (479) 456-9723
B.G. B.G. B.G.
WWW.VISIONDRAFTING.NET

BY	DATE	REVISION NO.	PRINTS ISSUED FOR
B.G.	12/22/2021	REVISION #1	1ST APPROVAL
B.G.	01/19/2022	REVISION #2	SHOP USE

ARCHITECT/LOCATION

DALLAS COLLEGE
CEDAR VALLEY CAMPUS - ONE STOP SHOP
3030 N DALLAS AVE - LANCASTER, TX 75134

SCALE: 3/32" = 1'-0"
SHEET NO. 201

TYPICAL ELEVATION NOTES:

- PLEASE VERIFY ALL DIMENSIONS PRIOR TO FABRICATION AND INSTALLATION.
- PLEASE VERIFY ALL GLAZING MARKS



TEL: (475) 486-9723
 R.GRAHAM@VISIONDRAFTING.NET
 WWW.VISIONDRAFTING.NET

DATE	BY	REVISION NO.
12/22/2021	B.G.	REVISION #1
01/19/2022	B.G.	REVISION #2

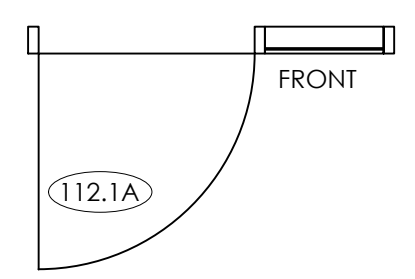
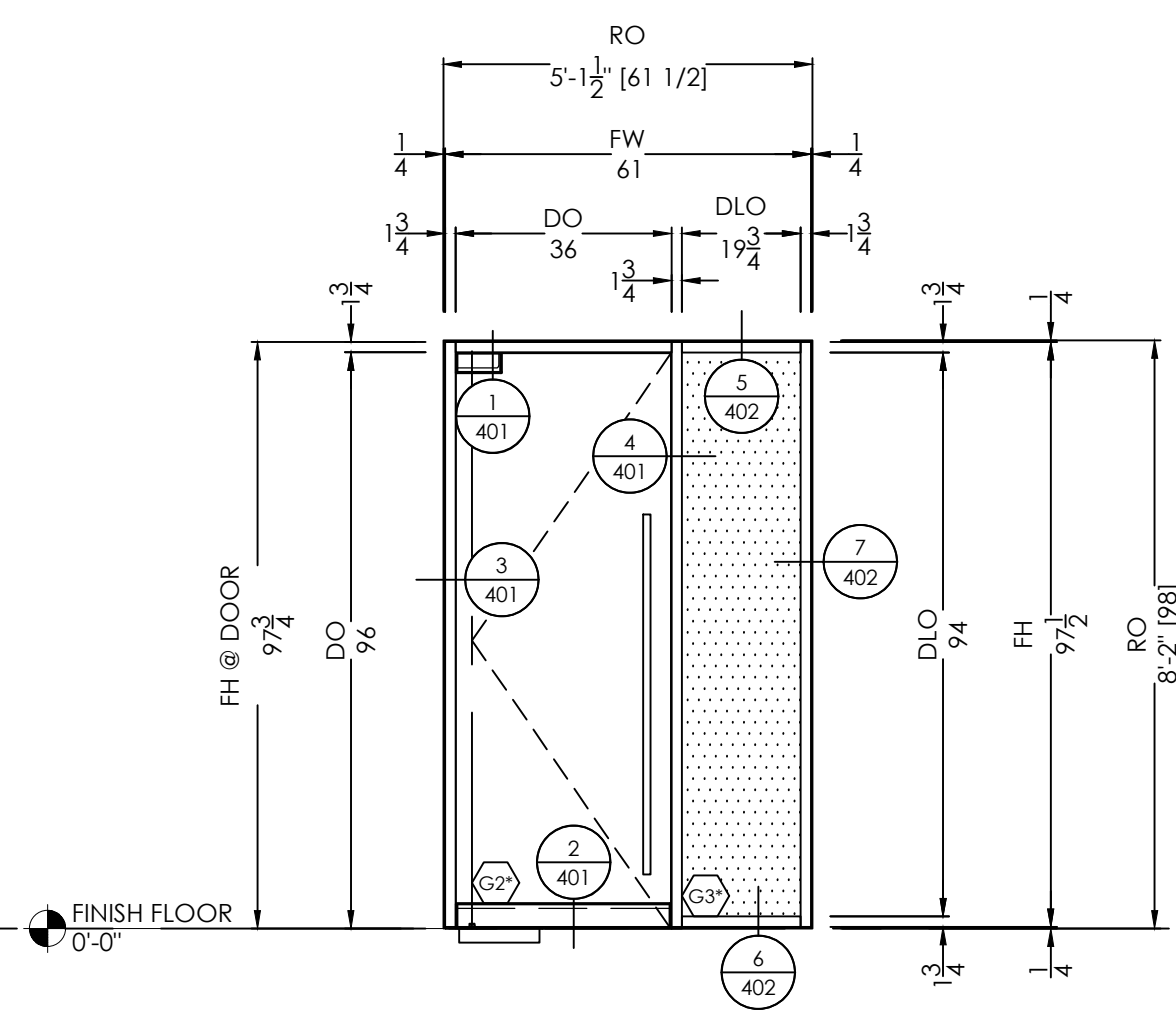
DATE	BY	REVISION NO.
11/30/2021	B.G.	REVISION #1
01/26/2022	B.G.	REVISION #2

PRINTED FOR
1ST APPROVAL
SHOP USE

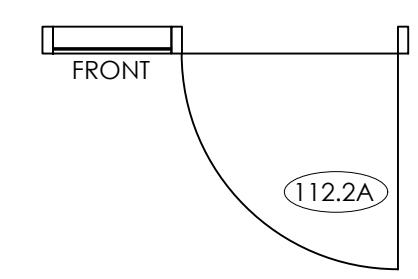
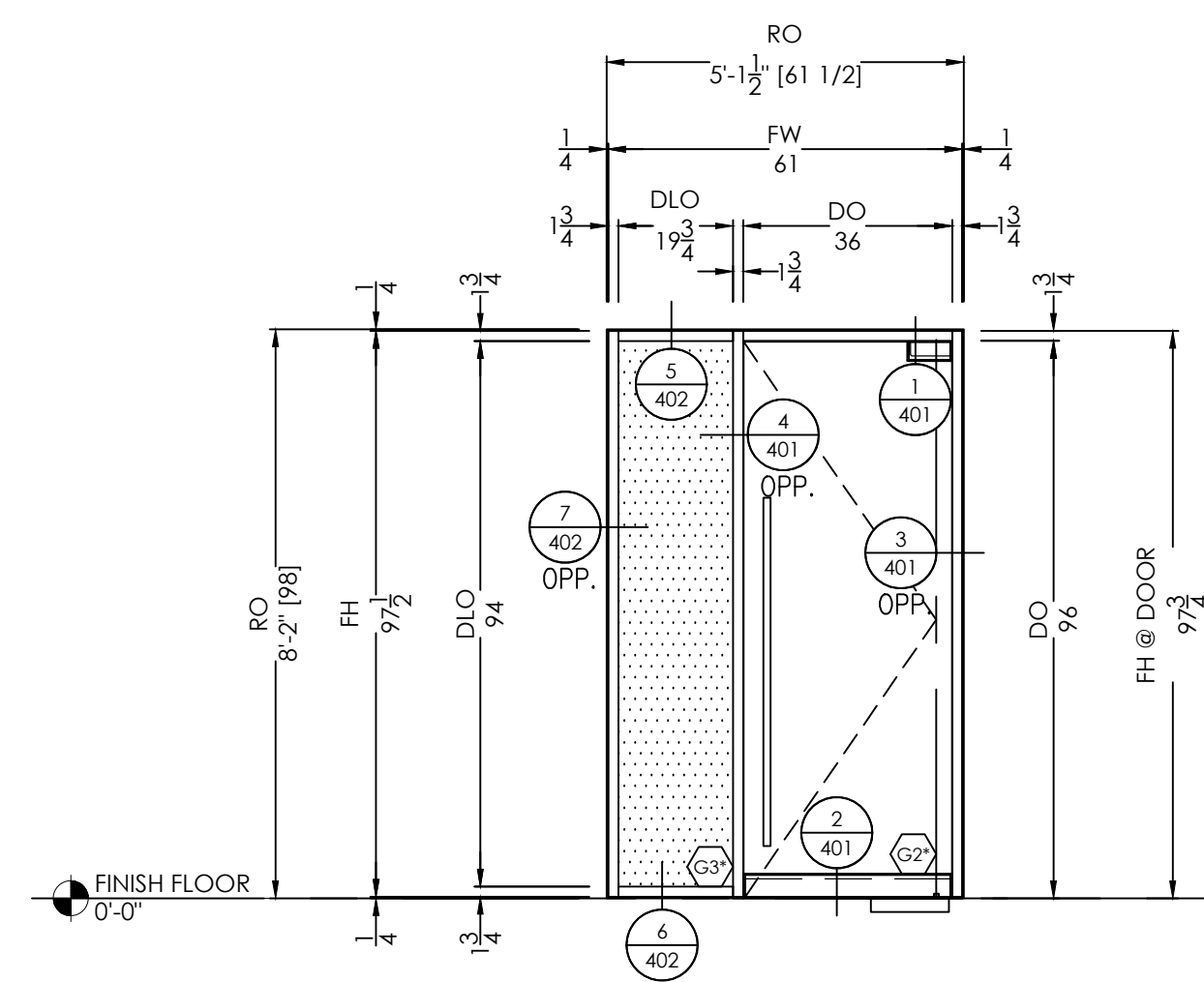
ARCHITECT/LOCATION
DALLAS COLLEGE
 CEDAR VALLEY CAMPUS - ONE STOP SHOP
 3030 N DALLAS AVE - LANCASTER, TX 75134

SCALE:
 1/8" = 1'-0"

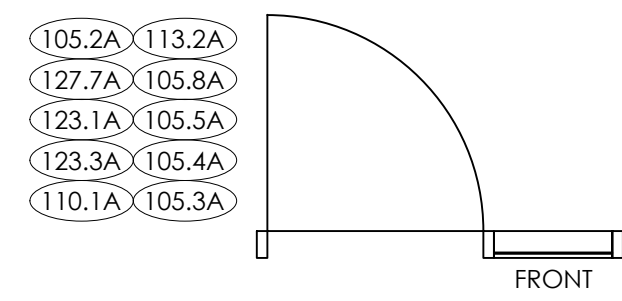
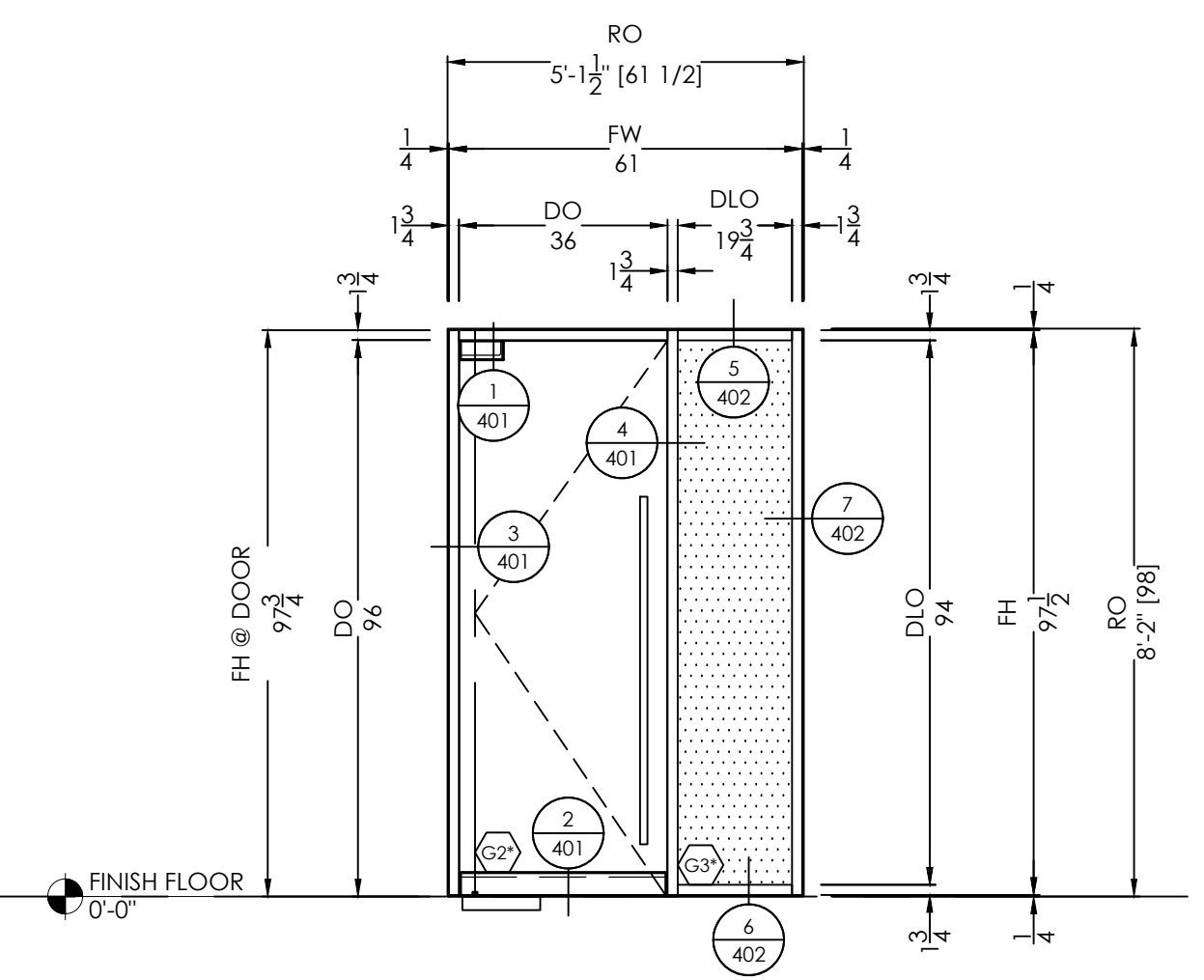
SHEET NO.
 301



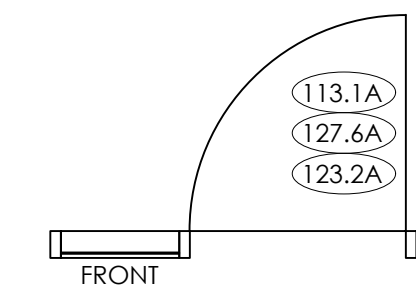
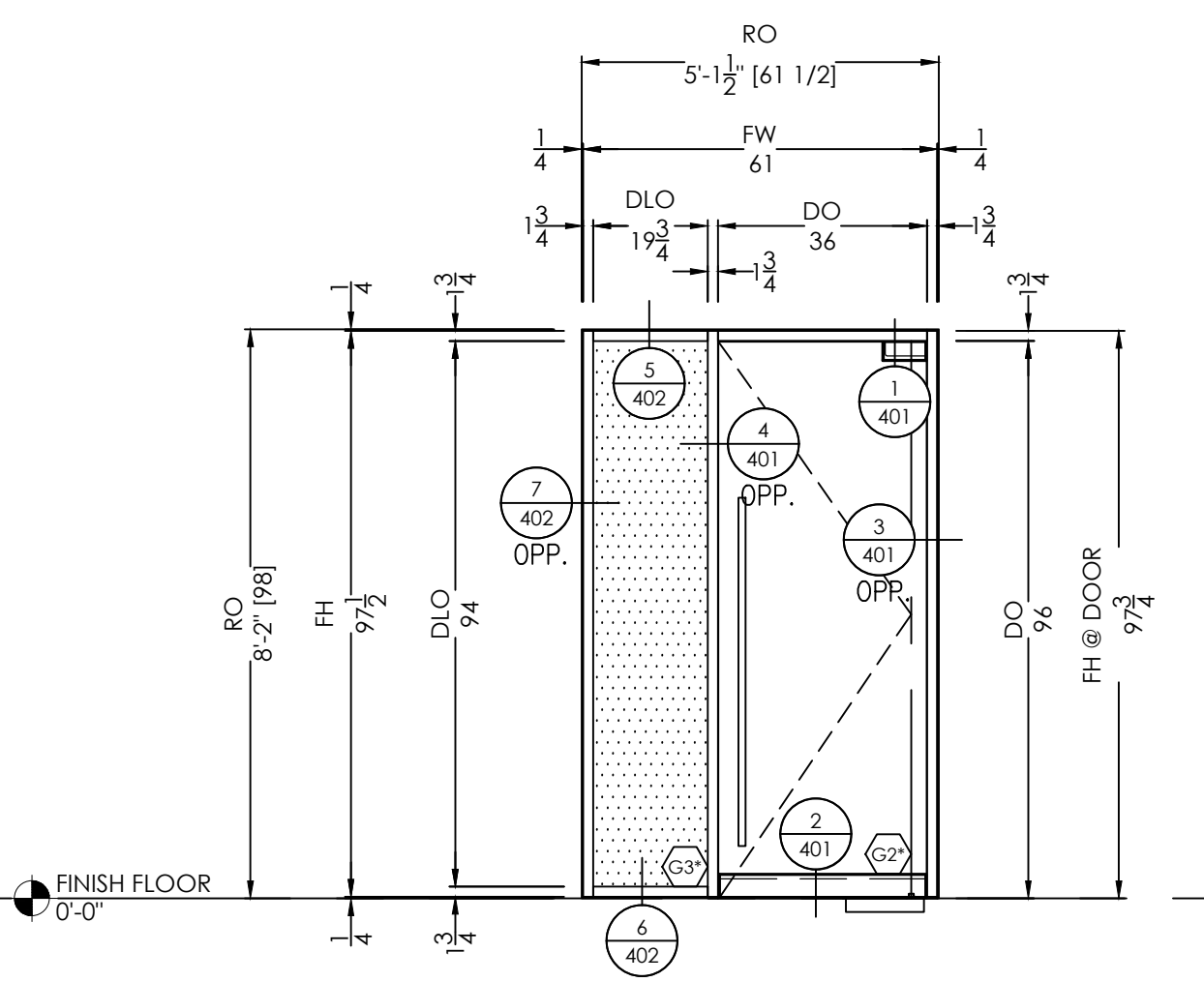
ELEVATION 01.1
 SCALE: 3/8" = 1'-0"
 QTY: 1
 FINISHES:
 EXT: PER COVER SHEET
 INT: PER COVER SHEET
 SYSTEM(S): FLUSH FRONT STOREFRONT
 BP STYLE GLASS DOOR
 ARCH. REF.: A10-00



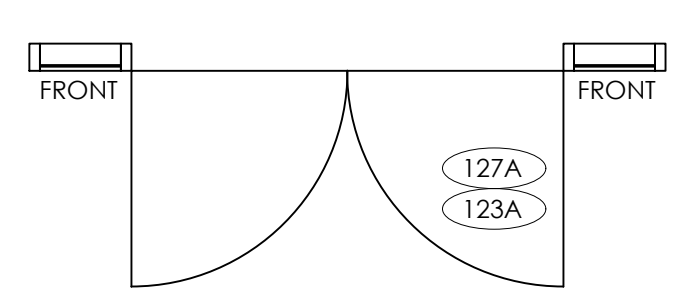
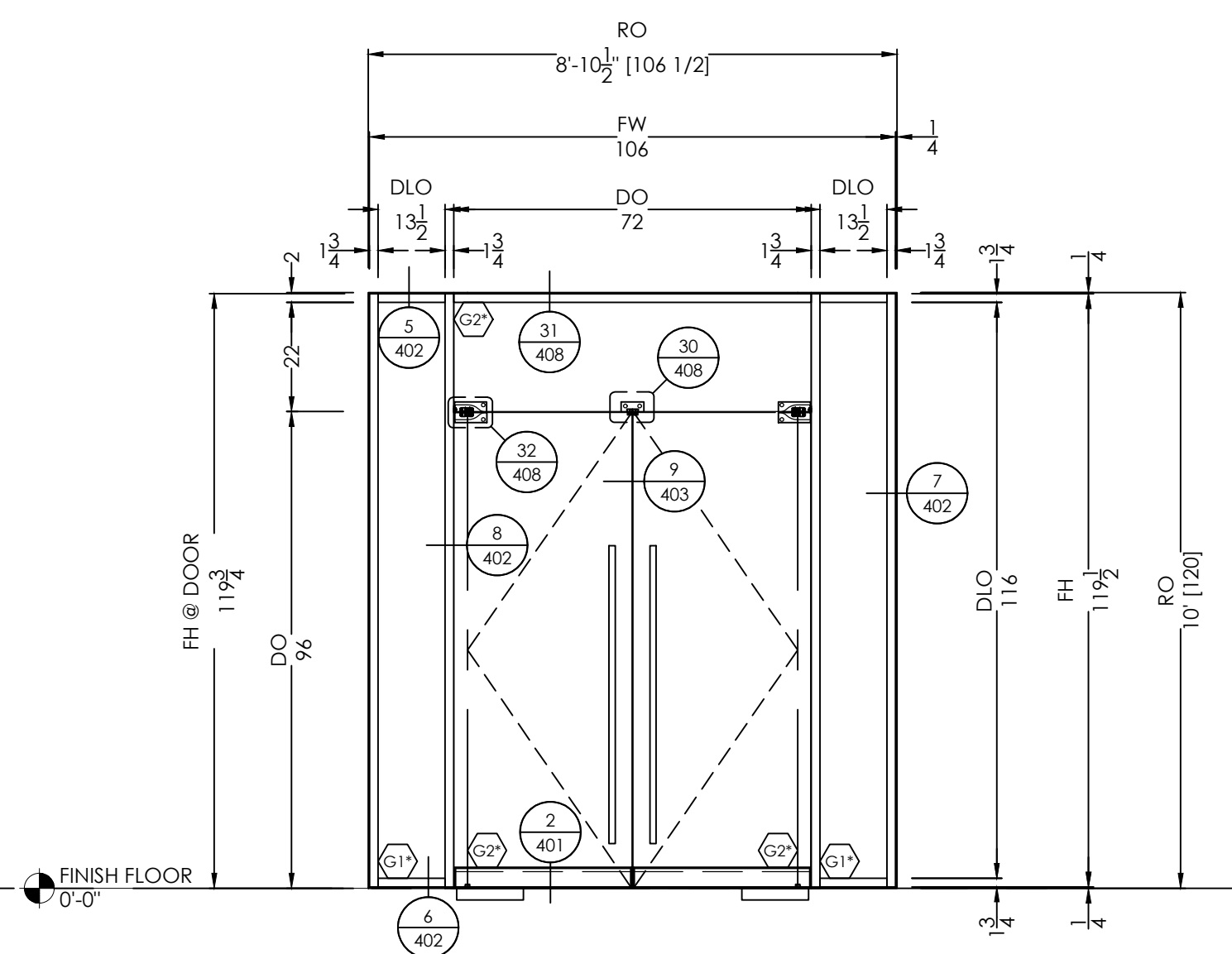
ELEVATION 01.2
 SCALE: 3/8" = 1'-0"
 QTY: 1
 FINISHES:
 EXT: PER COVER SHEET
 INT: PER COVER SHEET
 SYSTEM(S): FLUSH FRONT STOREFRONT
 BP STYLE GLASS DOOR
 ARCH. REF.: A10-00



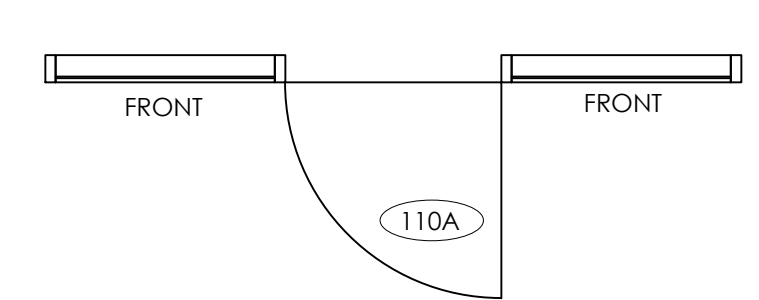
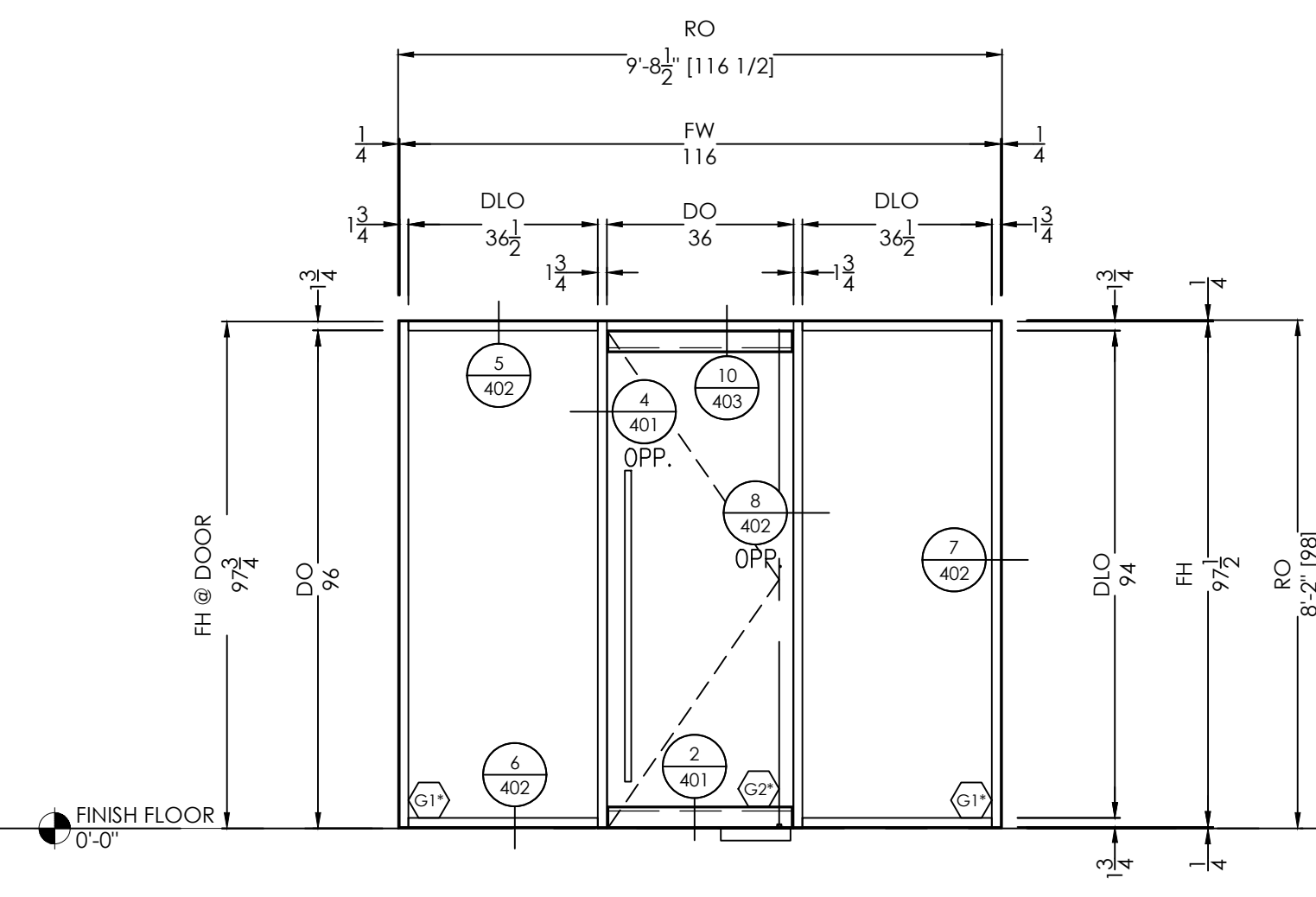
ELEVATION 01.3
 SCALE: 3/8" = 1'-0"
 QTY: 10
 FINISHES:
 EXT: PER COVER SHEET
 INT: PER COVER SHEET
 SYSTEM(S): FLUSH FRONT STOREFRONT
 BP STYLE GLASS DOORS
 ARCH. REF.: A10-00



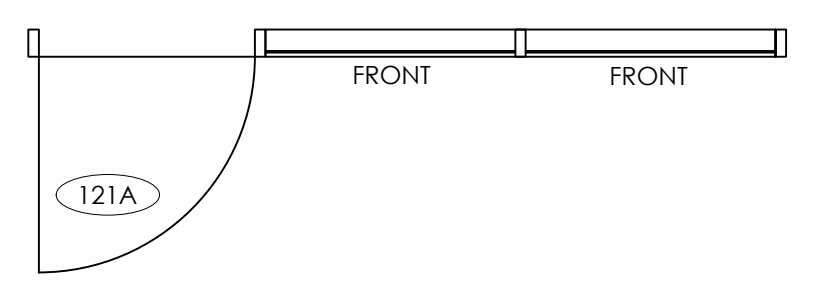
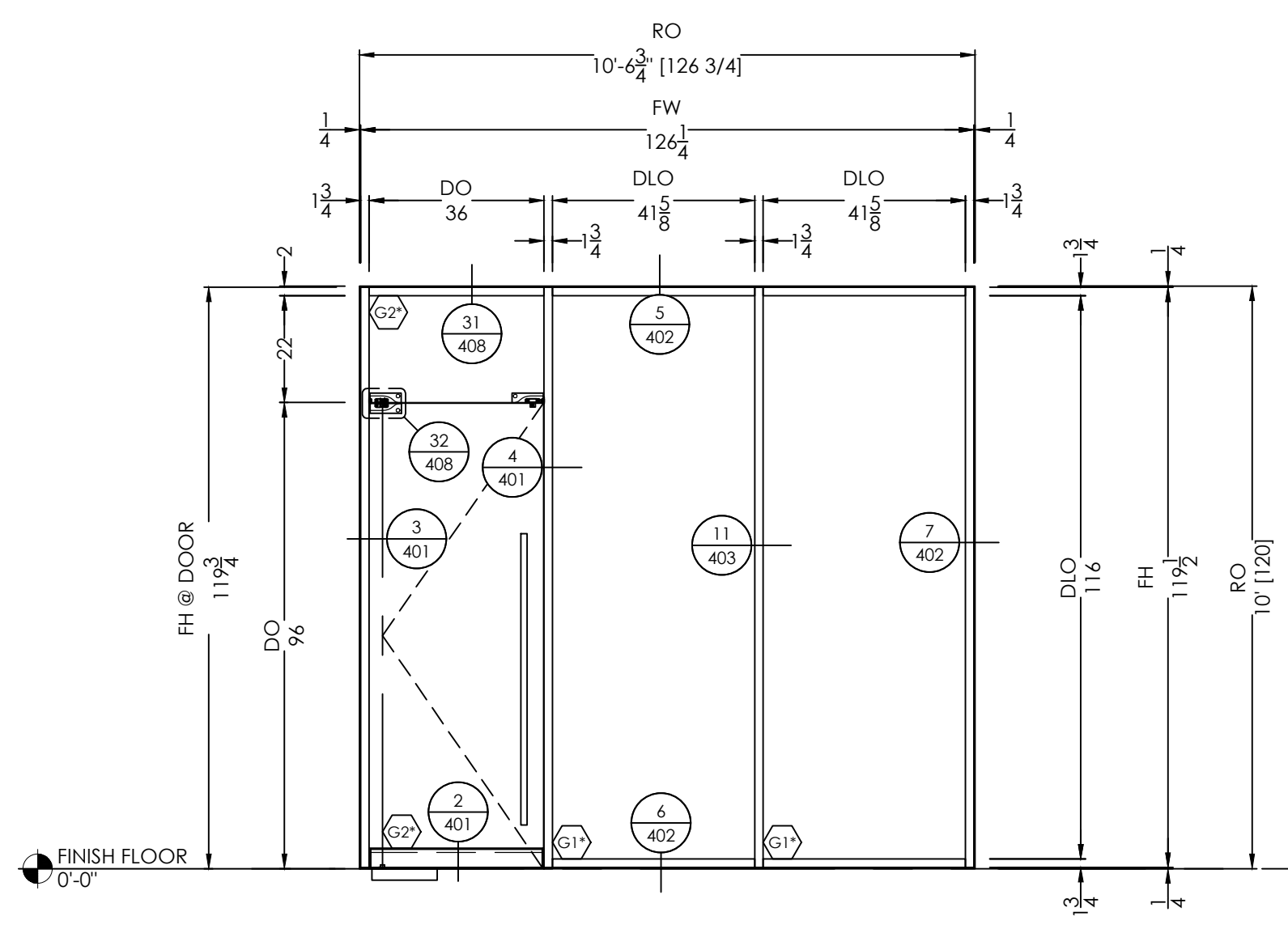
ELEVATION 01.4
 SCALE: 3/8" = 1'-0"
 QTY: 3
 FINISHES:
 EXT: PER COVER SHEET
 INT: PER COVER SHEET
 SYSTEM(S): FLUSH FRONT STOREFRONT
 BP STYLE GLASS DOORS
 ARCH. REF.: A10-00



ELEVATION 02
 SCALE: 3/8" = 1'-0"
 QTY: 2
 FINISHES:
 EXT: PER COVER SHEET
 INT: PER COVER SHEET
 SYSTEM(S): FLUSH FRONT STOREFRONT
 BP STYLE GLASS DOORS
 ARCH. REF.: A10-00



ELEVATION 03
 SCALE: 3/8" = 1'-0"
 QTY: 1
 FINISHES:
 EXT: PER COVER SHEET
 INT: PER COVER SHEET
 SYSTEM(S): FLUSH FRONT STOREFRONT
 P STYLE GLASS DOORS
 ARCH. REF.: A10-00



ELEVATION 04
 SCALE: 3/8" = 1'-0"
 QTY: 1
 FINISHES:
 EXT: PER COVER SHEET
 INT: PER COVER SHEET
 SYSTEM(S): FLUSH FRONT STOREFRONT
 P STYLE GLASS DOORS
 ARCH. REF.: A10-00

TYPICAL ELEVATION NOTES:
 • PLEASE VERIFY ALL DIMENSIONS PRIOR TO FABRICATION AND INSTALLATION.
 • PLEASE VERIFY ALL GLAZING MARKS



TEL: (475) 486-8723
 B.GRAMHAM@VISIONDRAFTING.NET
 WWW.VISIONDRAFTING.NET

DATE	BY	REVISION NO.
12/22/2021	B.G.	REVISION #1
01/19/2022	B.G.	REVISION #2

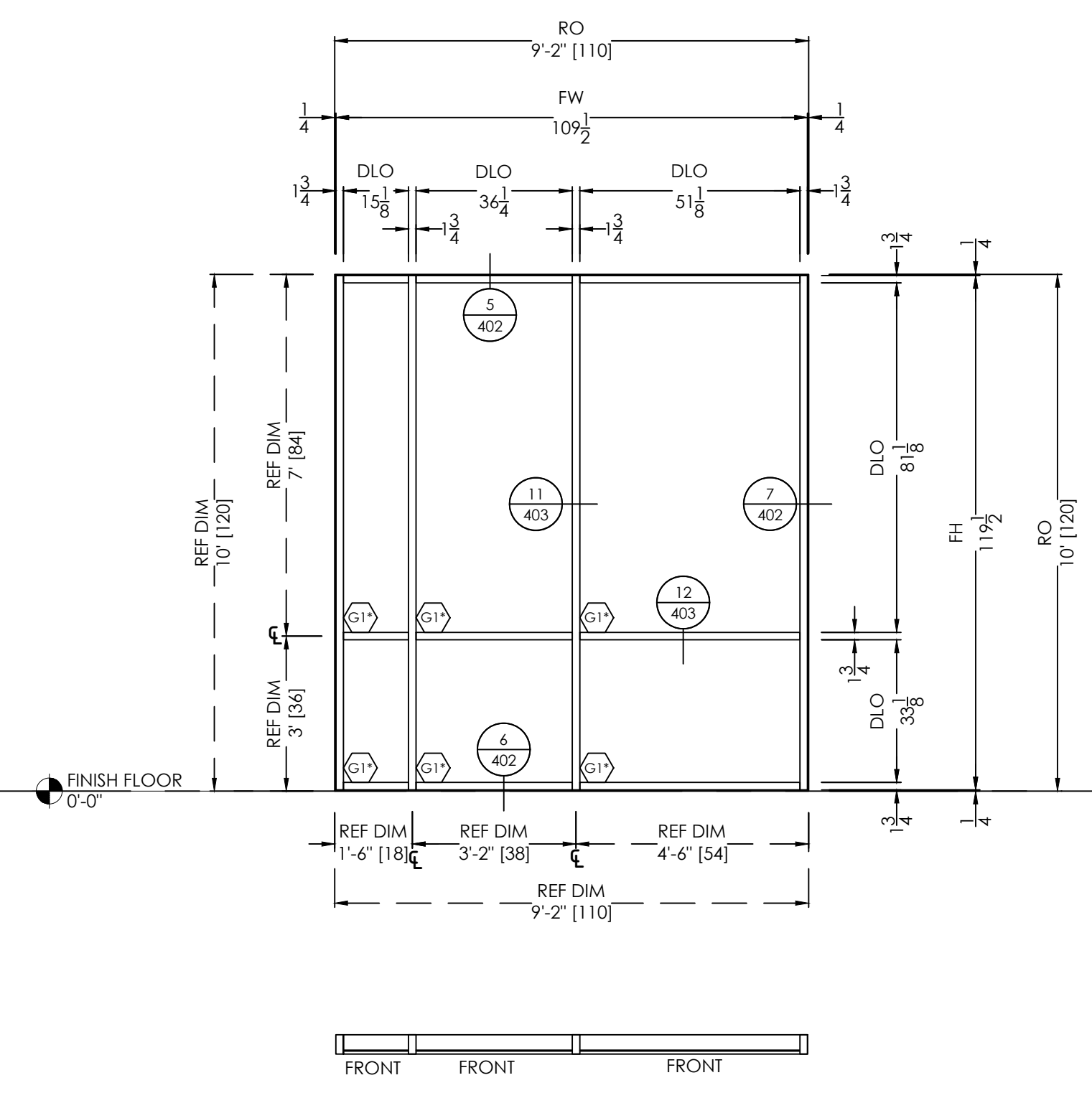
DATE	BY	REVISION NO.
11/30/2021	B.G.	REVISION #1
01/26/2022	B.G.	REVISION #2

PRINTED FOR
1ST APPROVAL
SHOP USE

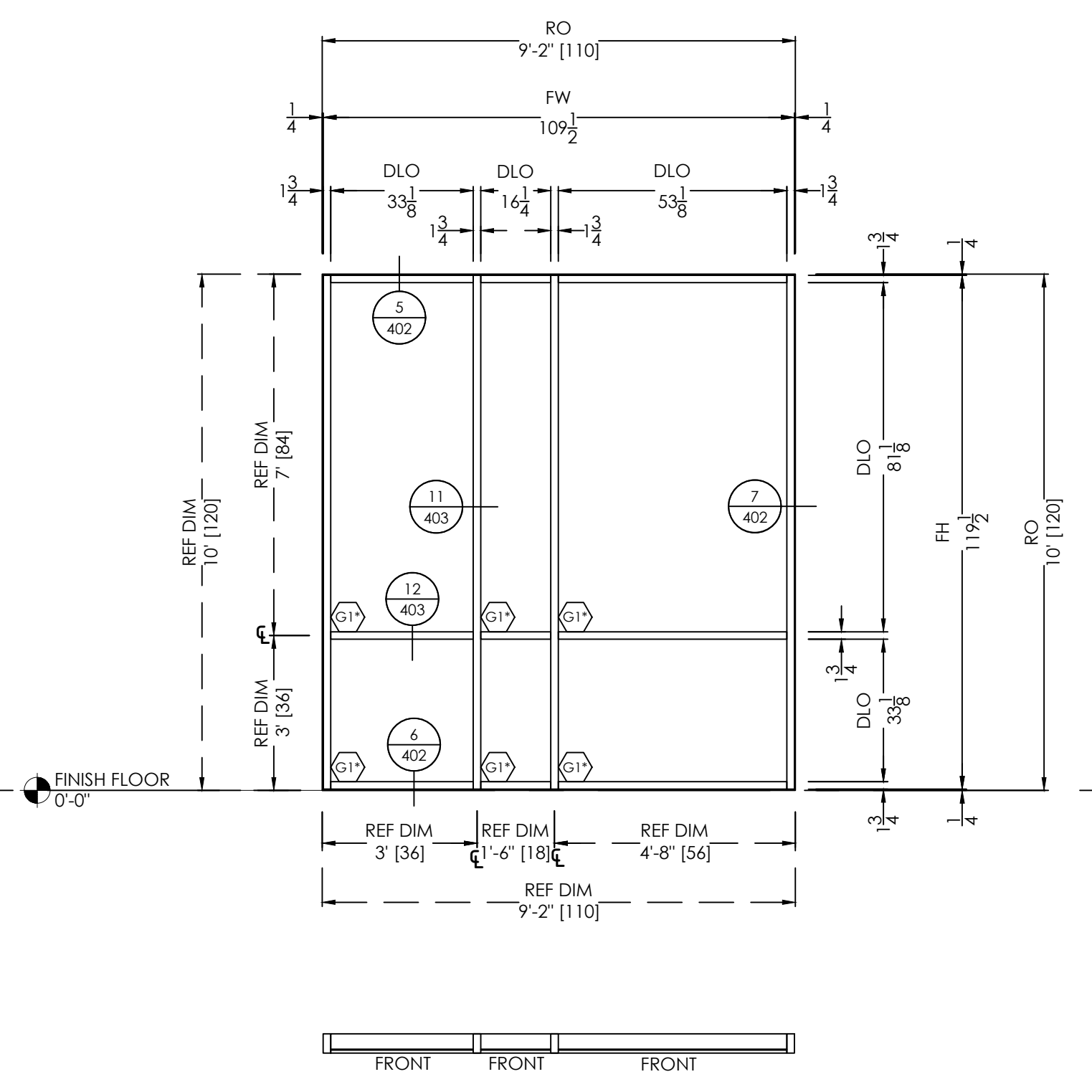
PROJECT NAME/LOCATION
DALLAS COLLEGE
 CEDAR VALLEY CAMPUS - ONE STOP SHOP
 3030 N DALLAS AVE - LANCASTER, TX 75134

SCALE:
 1/8" = 1'-0"

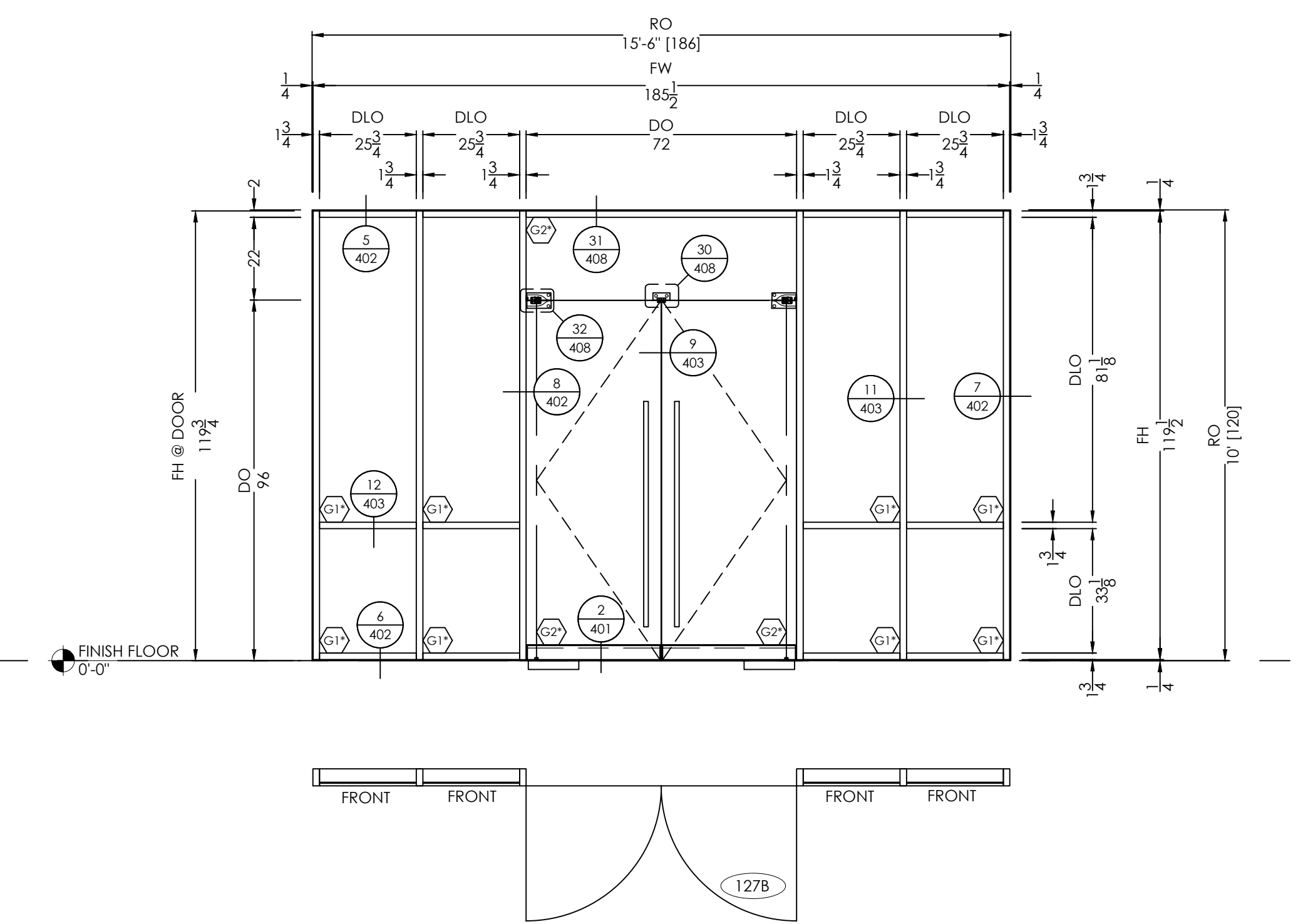
SHEET NO.
 302



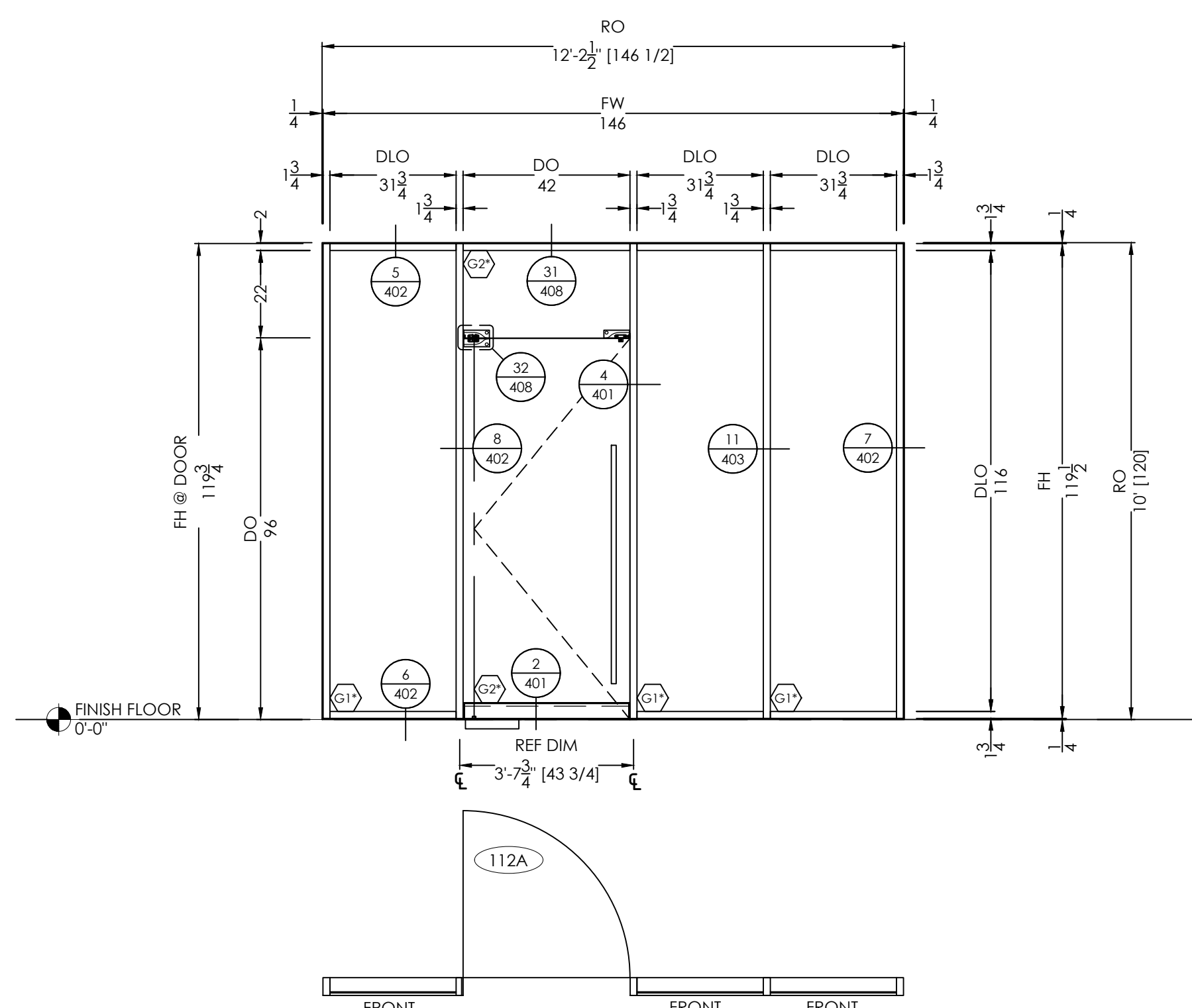
ELEVATION 05A
 FINISHES:
 EXT: PER COVER SHEET
 INT: PER COVER SHEET
 SCALE: 3/8" = 1'-0"
 QTY: 1
 ARCH. REF.: A10-00
 SYSTEM(S): FLUSH FRONT STOREFRONT



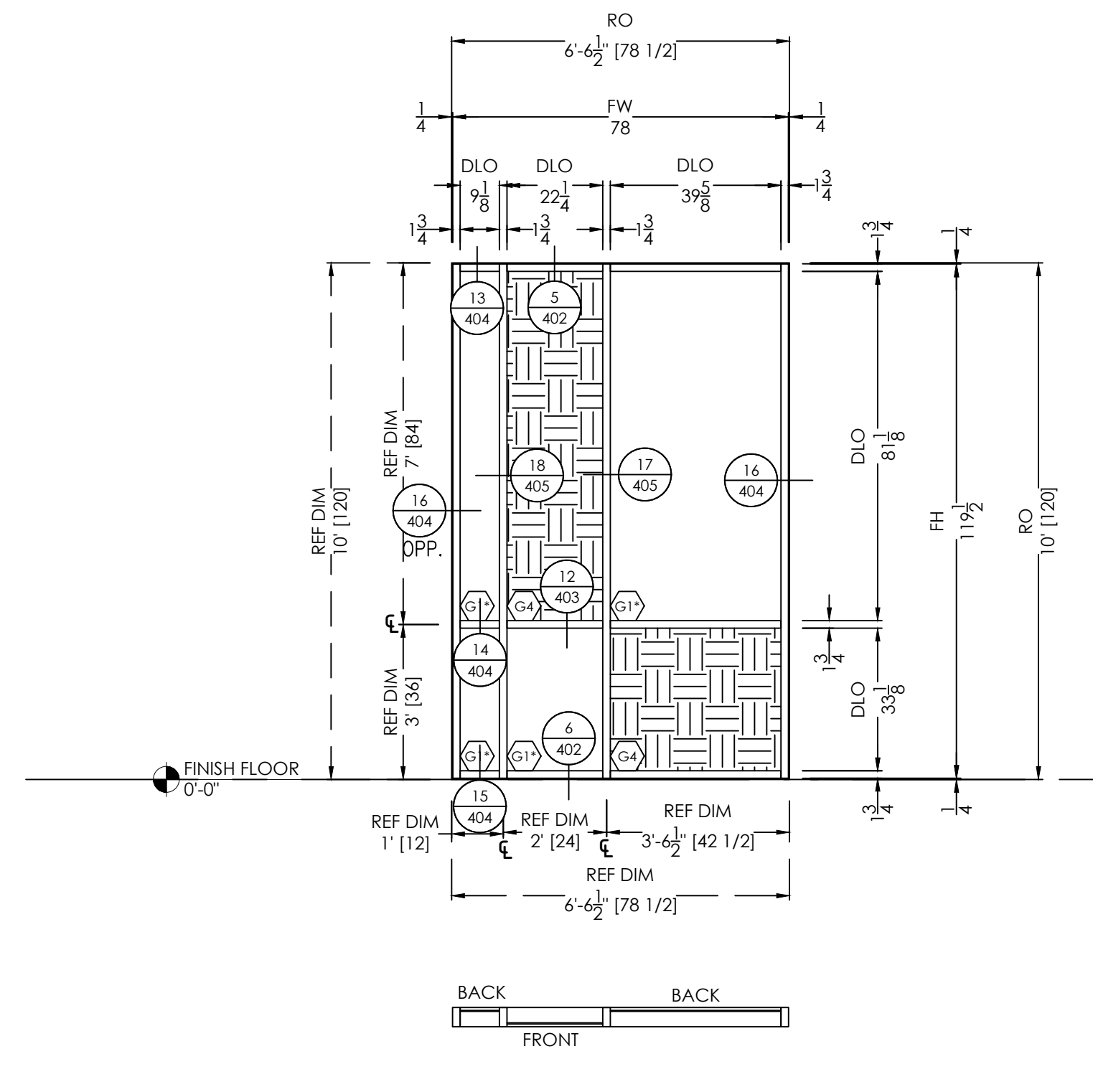
ELEVATION 05B
 FINISHES:
 EXT: PER COVER SHEET
 INT: PER COVER SHEET
 SCALE: 3/8" = 1'-0"
 QTY: 1
 ARCH. REF.: A10-00
 SYSTEM(S): FLUSH FRONT STOREFRONT



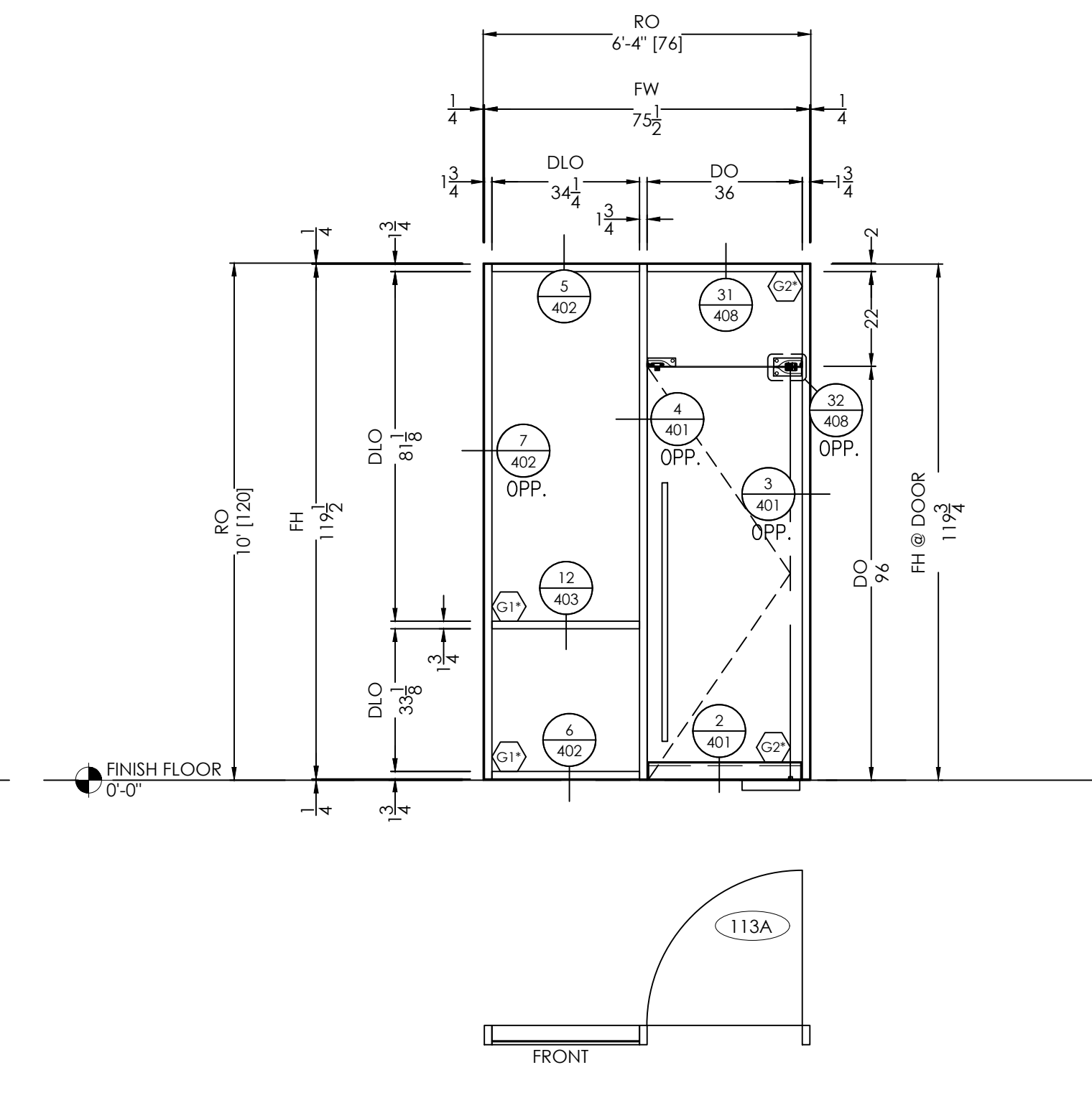
ELEVATION 06
 FINISHES:
 EXT: PER COVER SHEET
 INT: PER COVER SHEET
 SCALE: 3/8" = 1'-0"
 QTY: 1
 ARCH. REF.: A10-00
 SYSTEM(S): FLUSH FRONT STOREFRONT
 BP STYLE GLASS DOORS



ELEVATION 07
 FINISHES:
 EXT: PER COVER SHEET
 INT: PER COVER SHEET
 SCALE: 3/8" = 1'-0"
 QTY: 1
 ARCH. REF.: A10-00
 SYSTEM(S): FLUSH FRONT STOREFRONT
 P STYLE GLASS DOORS

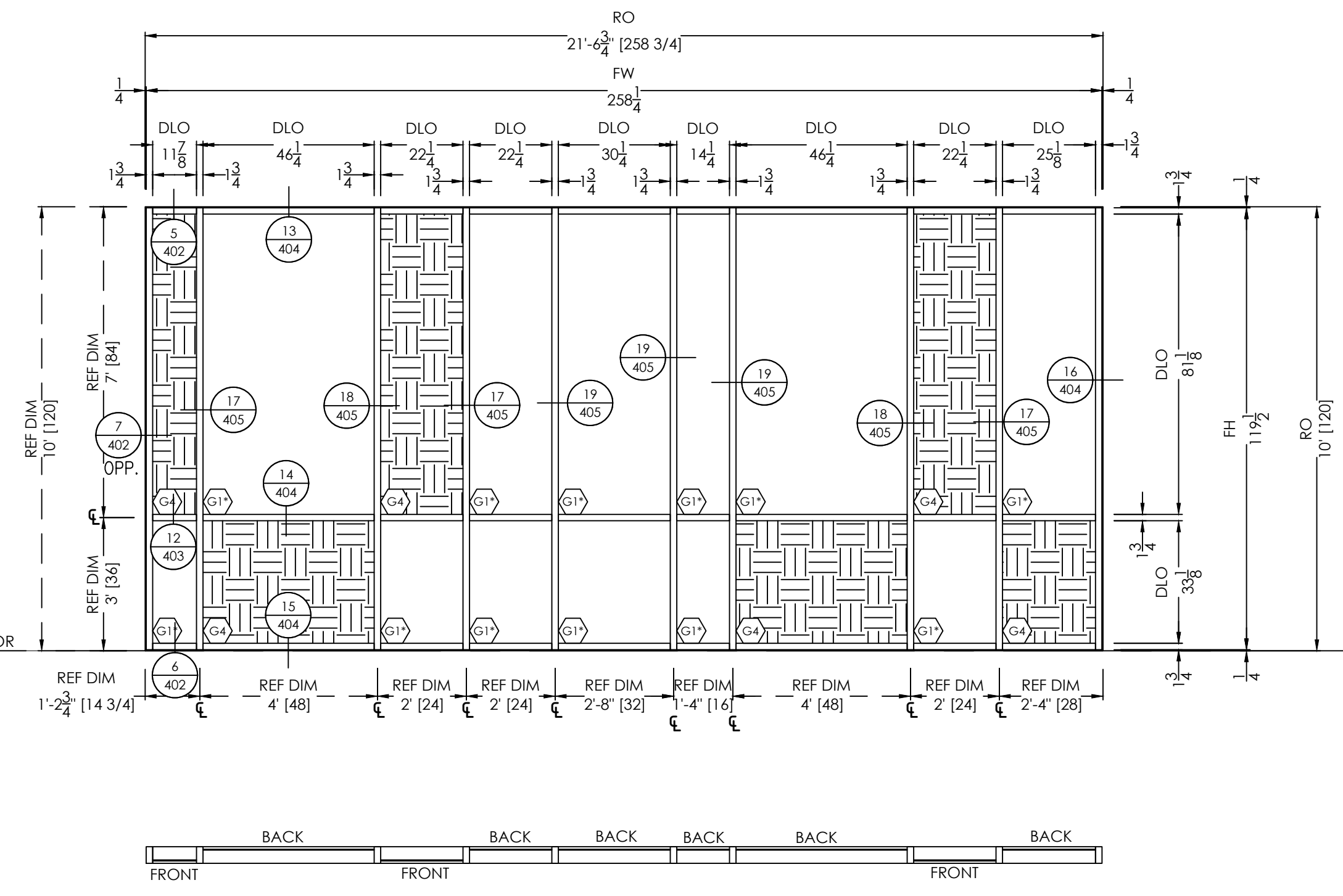


ELEVATION 08
 FINISHES:
 EXT: PER COVER SHEET
 INT: PER COVER SHEET
 SCALE: 3/8" = 1'-0"
 QTY: 1
 ARCH. REF.: A10-00
 SYSTEM(S): FLUSH FRONT STOREFRONT

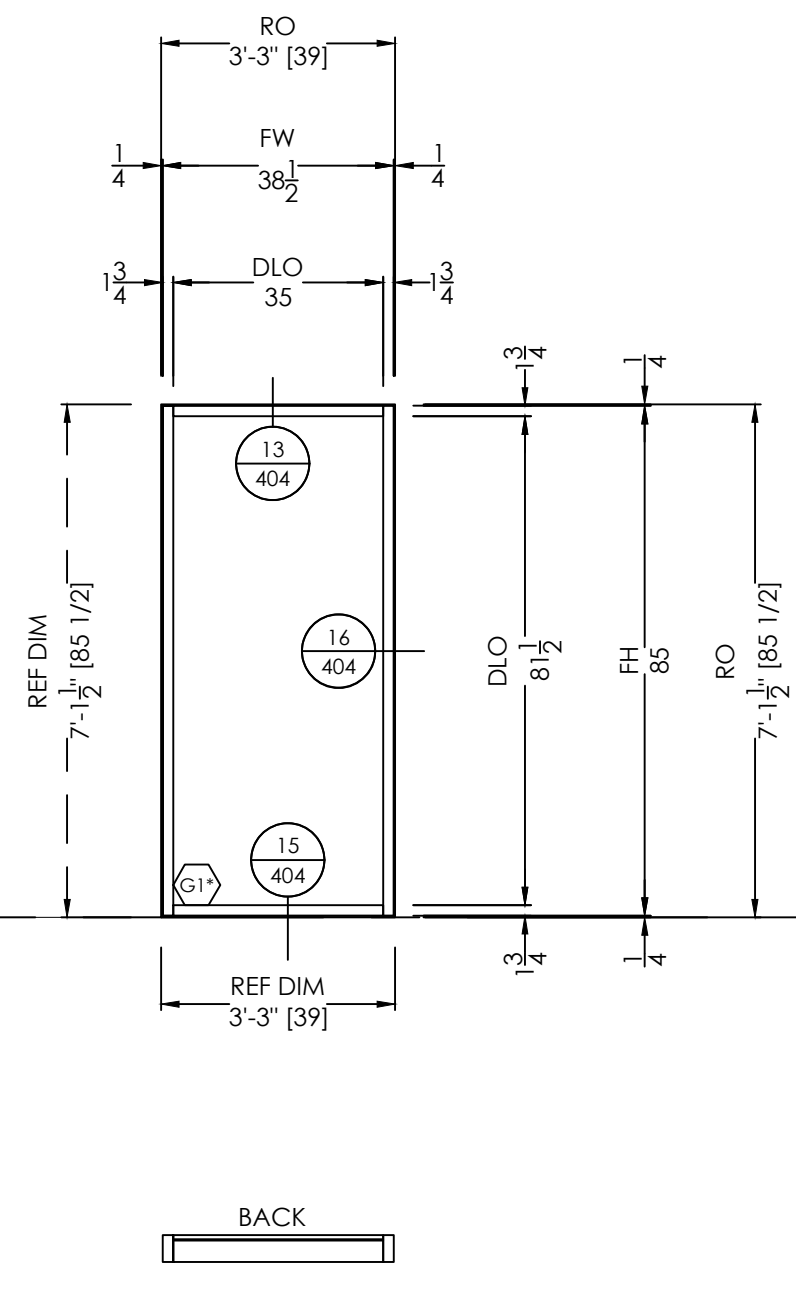


ELEVATION 09
 FINISHES:
 EXT: PER COVER SHEET
 INT: PER COVER SHEET
 SCALE: 3/8" = 1'-0"
 QTY: 1
 ARCH. REF.: A10-00
 SYSTEM(S): FLUSH FRONT STOREFRONT
 P STYLE GLASS DOORS

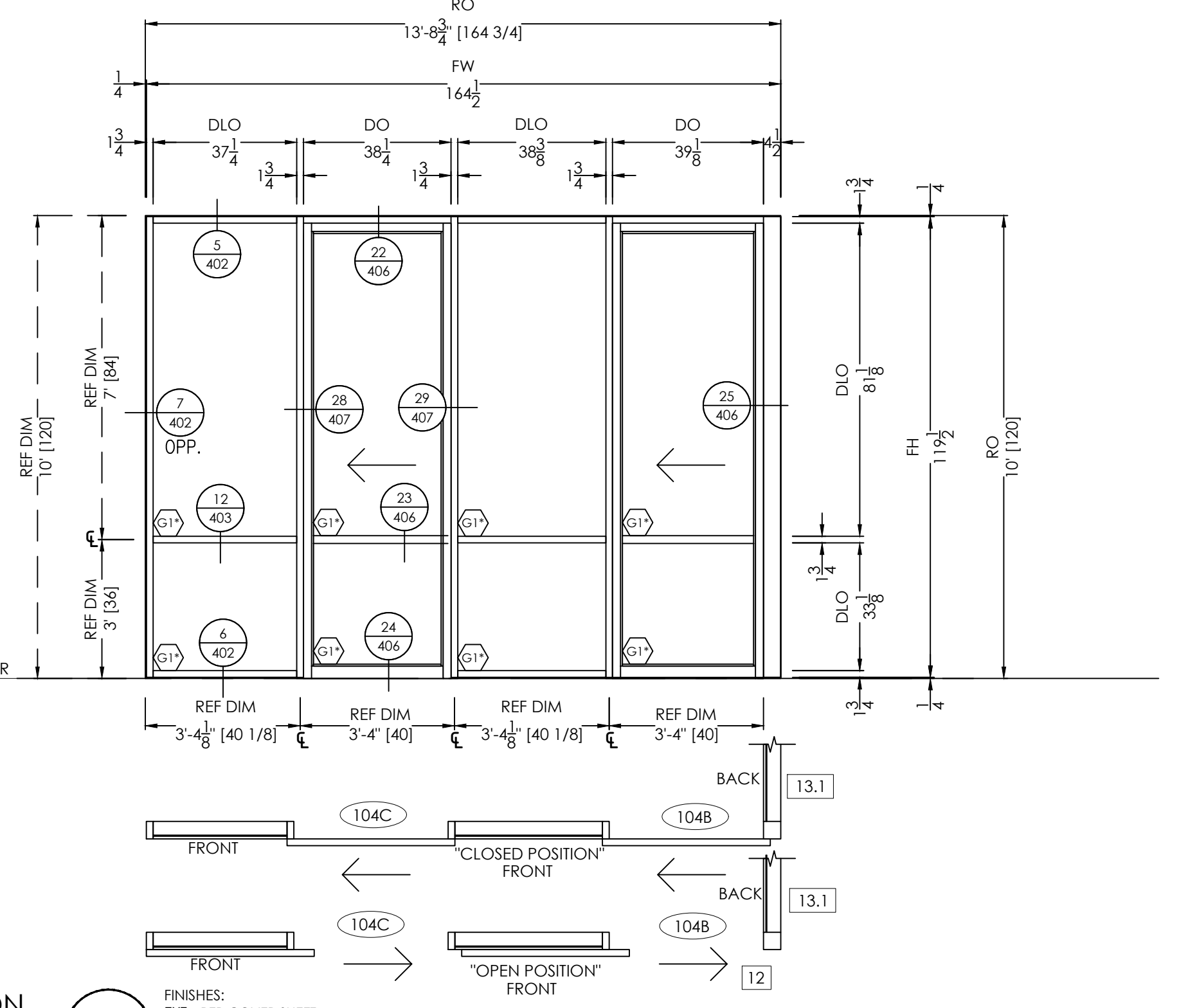
TYPICAL ELEVATION NOTES:
 • PLEASE VERIFY ALL DIMENSIONS PRIOR TO FABRICATION AND INSTALLATION.
 • PLEASE VERIFY ALL GLAZING MARKS



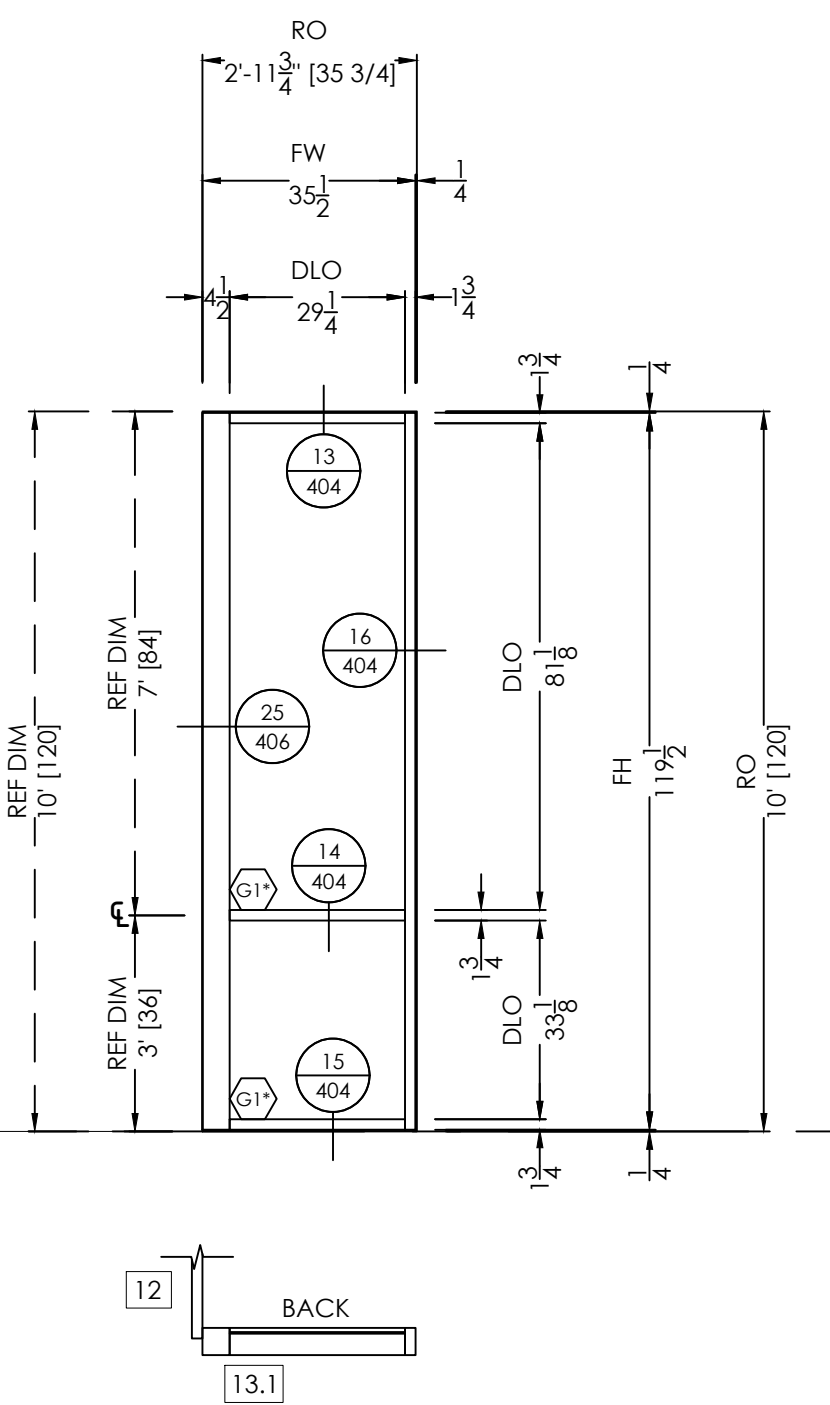
ELEVATION 10
 FINISHES:
 EXT: PER COVER SHEET
 INT: PER COVER SHEET
 SYSTEM(S): FLUSH FRONT STOREFRONT
 SCALE: 3/8" = 1'-0"
 QTY: 1
 ARCH. REF.: A10-00



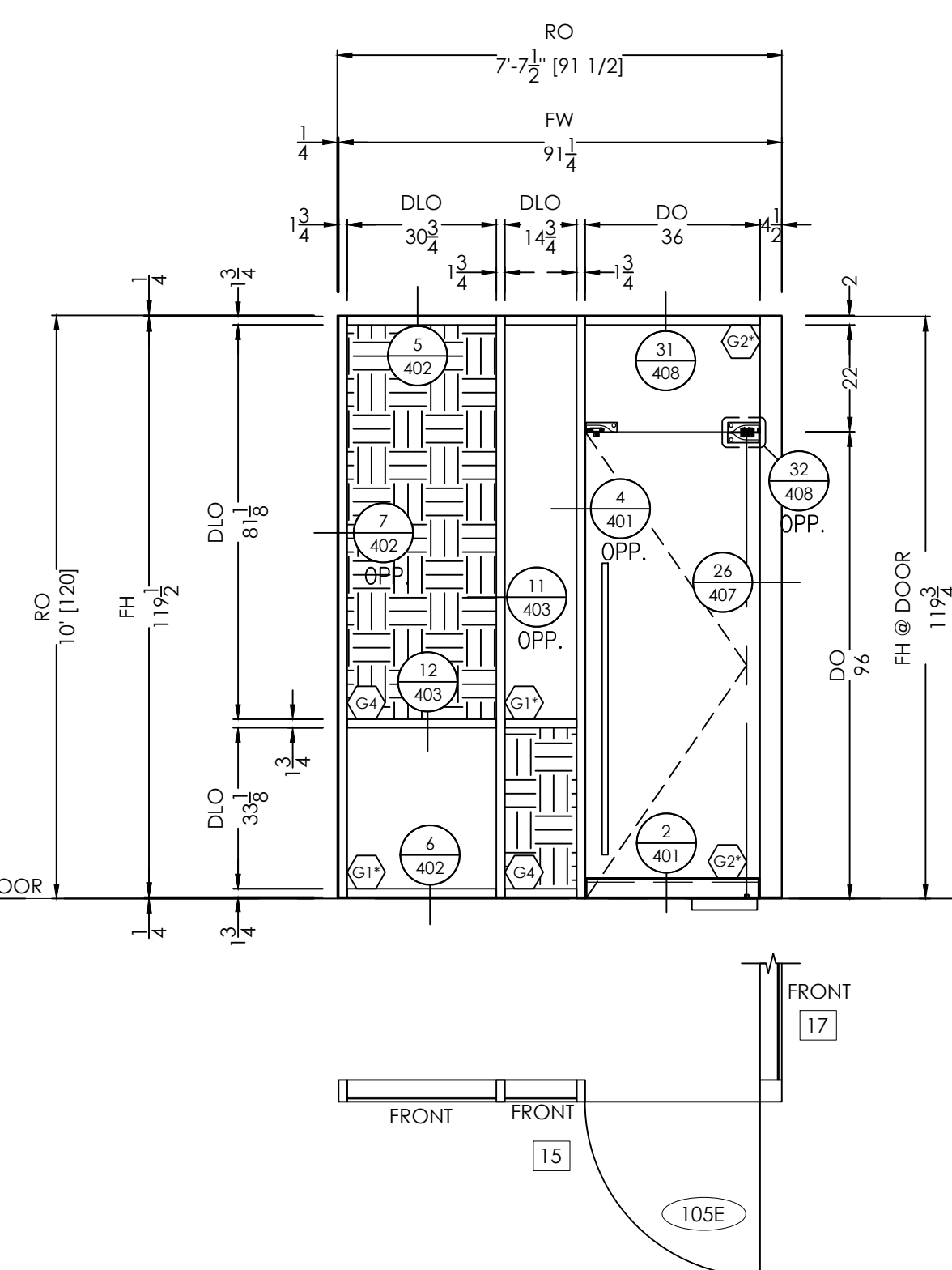
ELEVATION 11
 FINISHES:
 EXT: PER COVER SHEET
 INT: PER COVER SHEET
 SYSTEM(S): FLUSH FRONT STOREFRONT
 SCALE: 3/8" = 1'-0"
 QTY: 4
 ARCH. REF.: A10-00



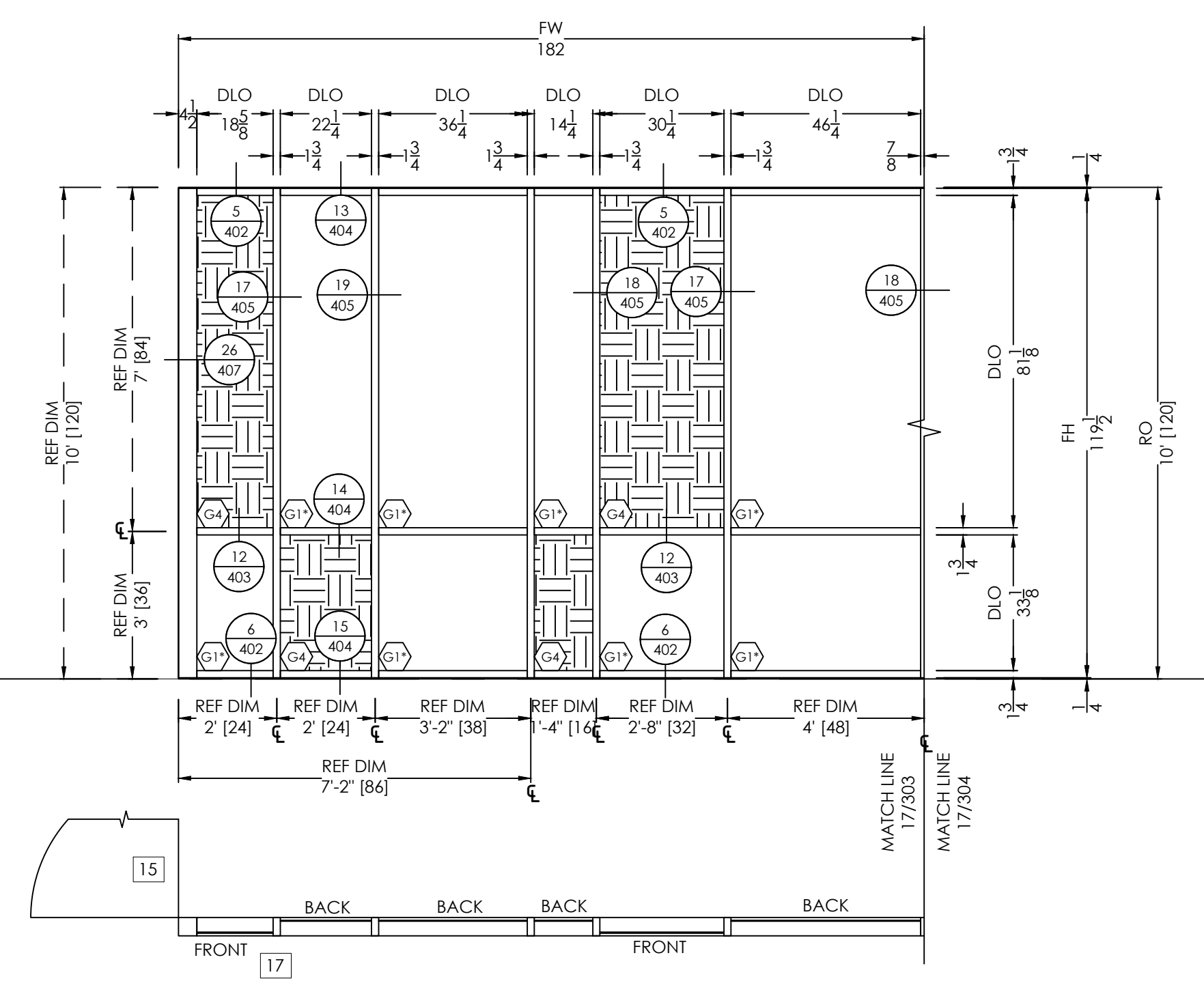
ELEVATION 12
 FINISHES:
 EXT: PER COVER SHEET
 INT: PER COVER SHEET
 SYSTEM(S): FLUSH FRONT STOREFRONT
 SERIES 2000 SLIDING DOORS
 SCALE: 3/8" = 1'-0"
 QTY: 1
 ARCH. REF.: A10-00



ELEVATION 13.1
 FINISHES:
 EXT: PER COVER SHEET
 INT: PER COVER SHEET
 SYSTEM(S): FLUSH FRONT STOREFRONT
 SCALE: 3/8" = 1'-0"
 QTY: 1
 ARCH. REF.: A10-00



ELEVATION 15
 FINISHES:
 EXT: PER COVER SHEET
 INT: PER COVER SHEET
 SYSTEM(S): FLUSH FRONT STOREFRONT
 P STYLE GLASS DOORS
 SCALE: 3/8" = 1'-0"
 QTY: 1
 ARCH. REF.: A10-00



ELEVATION 17
 FINISHES:
 EXT: PER COVER SHEET
 INT: PER COVER SHEET
 SYSTEM(S): FLUSH FRONT STOREFRONT
 SCALE: 3/8" = 1'-0"
 QTY: 1
 ARCH. REF.: A10-00



VISION DRAFTING, INC.
 TEL: (475) 456-8723
 B.G. GRAHAM@VISIONDRAFTING.NET
 WWW.VISIONDRAFTING.NET

DATE	BY	REVISION NO.
12/22/2021	B.G.	REVISION #1
01/19/2022	B.G.	REVISION #2

DATE	BY	REVISION NO.
11/30/2021	B.G.	REVISION #1
01/26/2022	B.G.	REVISION #2

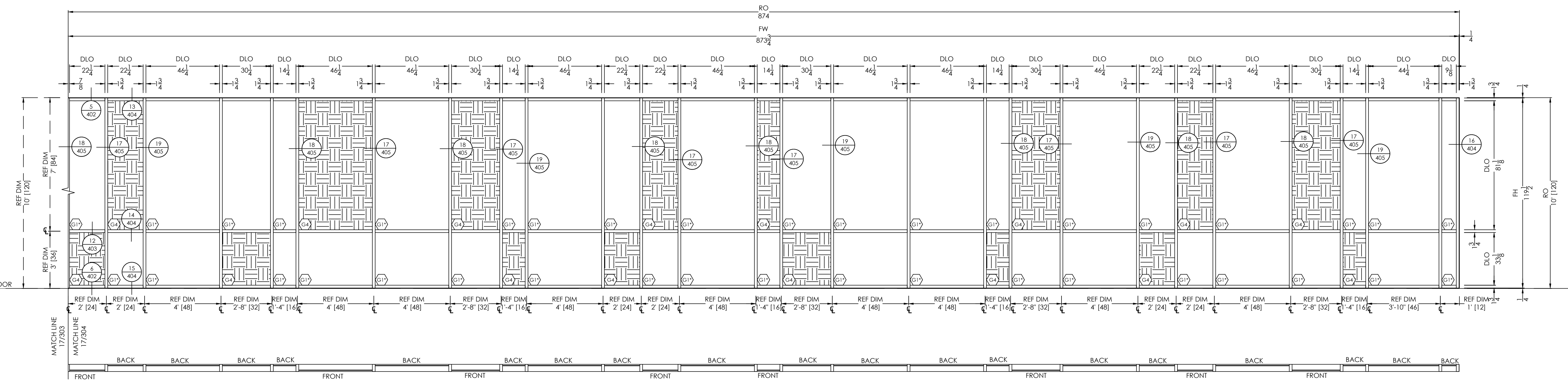
PRINTS ISSUED FOR:
 1ST APPROVAL
 SHOP USE

PROJECT NAME/LOCATION
DALLAS COLLEGE
CEDAR VALLEY CAMPUS - ONE STOP SHOP
 3030 N DALLAS AVE - LANCASTER, TX 75134

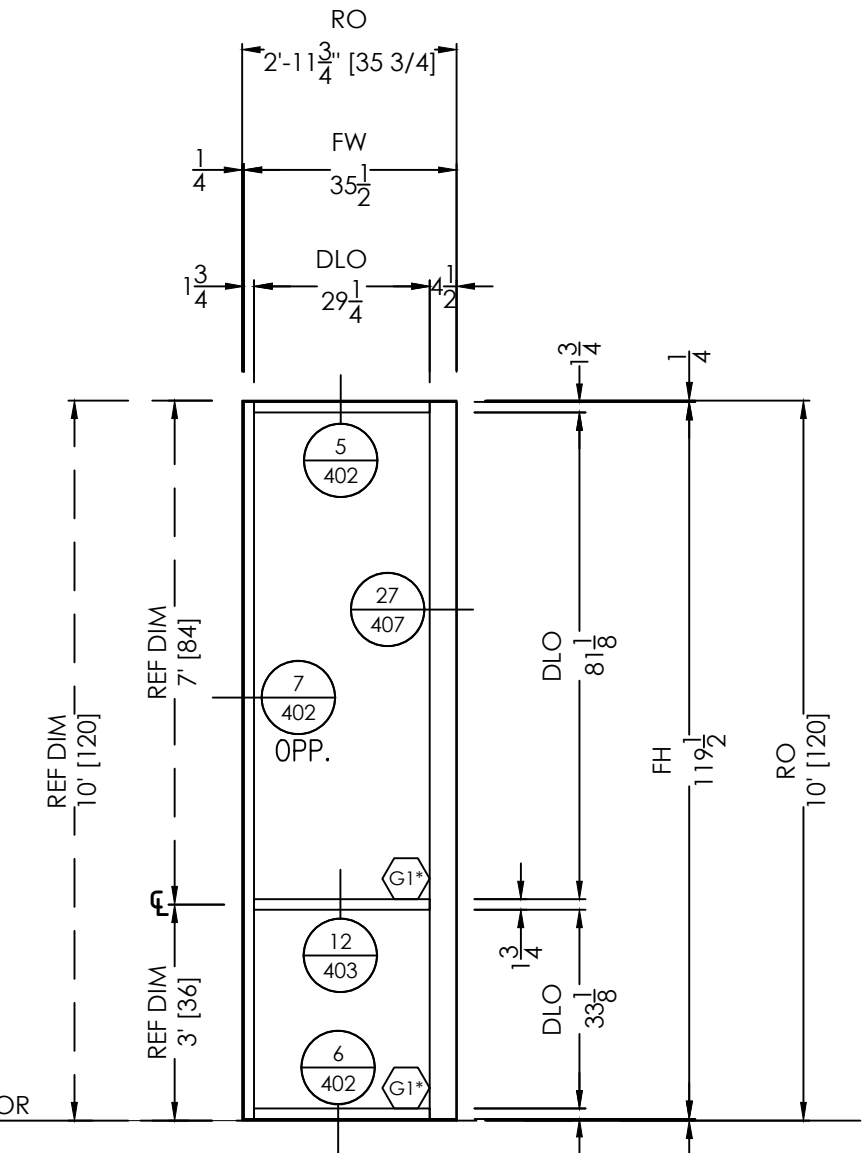
SCALE:
 3/8" = 1'-0"

SHEET NO.
 303

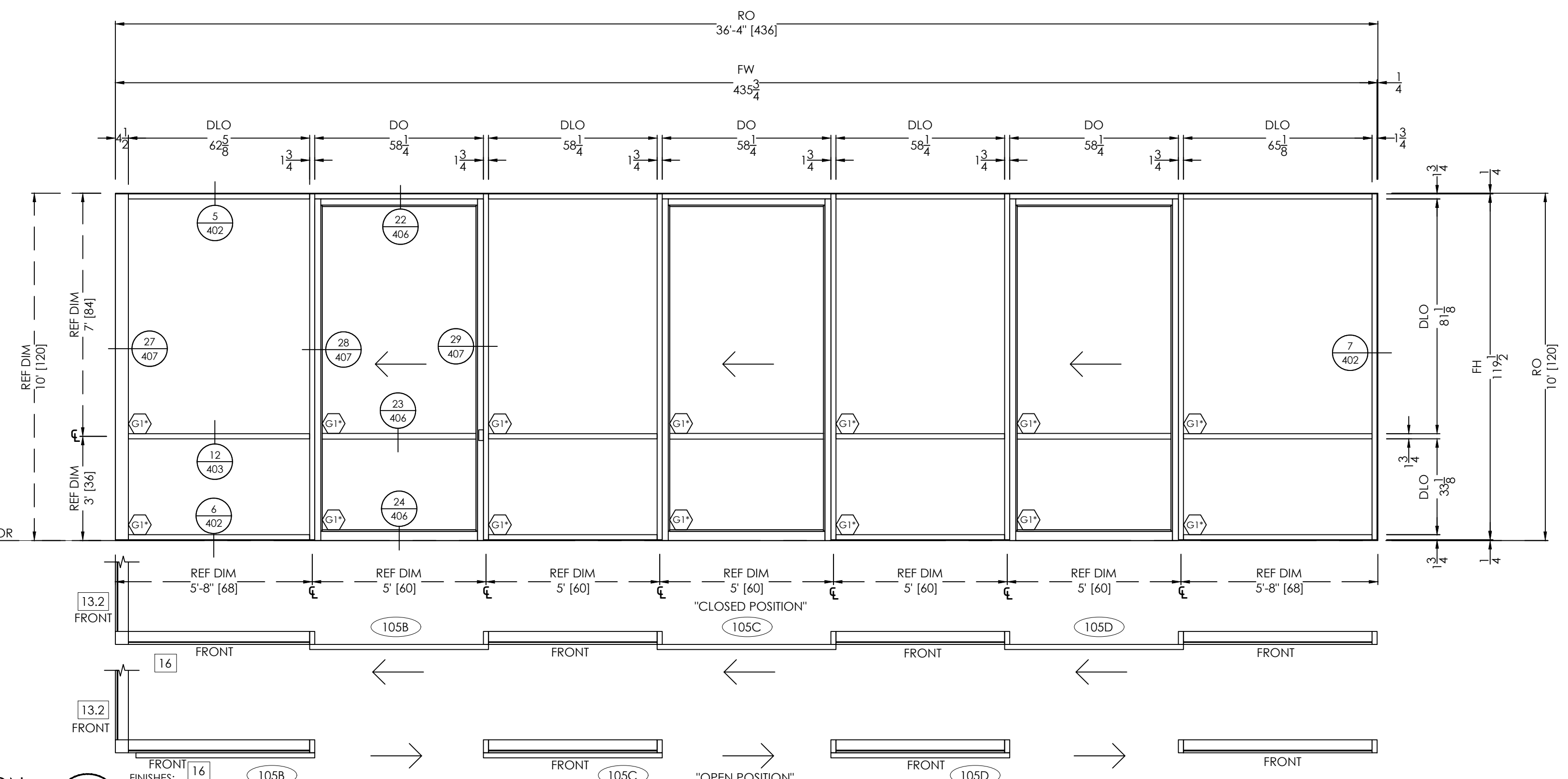
TYPICAL ELEVATION NOTES:
 • PLEASE VERIFY ALL DIMENSIONS PRIOR TO FABRICATION AND INSTALLATION.
 • PLEASE VERIFY ALL GLAZING MARKS



ELEVATION 17
 FINISHES:
 EXT: PER COVER SHEET
 INT: PER COVER SHEET
 SYSTEM(S): FLUSH FRONT STOREFRONT
 SCALE: 3/8" = 1'-0"
 QTY: 1
 ARCH. REF.: A10-00



ELEVATION 13.2
 FINISHES:
 EXT: PER COVER SHEET
 INT: PER COVER SHEET
 SYSTEM(S): FLUSH FRONT STOREFRONT
 SCALE: 3/8" = 1'-0"
 QTY: 1
 ARCH. REF.: A10-00



ELEVATION 16
 FINISHES:
 EXT: PER COVER SHEET
 INT: PER COVER SHEET
 SYSTEM(S): FLUSH FRONT STOREFRONT SERIES 2000 SLIDING DOORS
 SCALE: 3/8" = 1'-0"
 QTY: 1
 ARCH. REF.: A10-00



VISION DRAFTING, INC.
 TEL: (475) 456-8723
 BGRAMHAM@VISIONDRAFTING.NET
 WWW.VISIONDRAFTING.NET

DATE	BY	REVISION NO.
12/22/2021	B.G.	REVISION #1
01/19/2022	B.G.	REVISION #2

DATE	BY	REVISION NO.
11/30/2021	B.G.	REVISION #1
01/26/2022	B.G.	REVISION #2

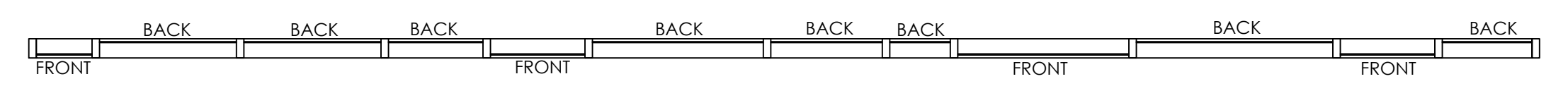
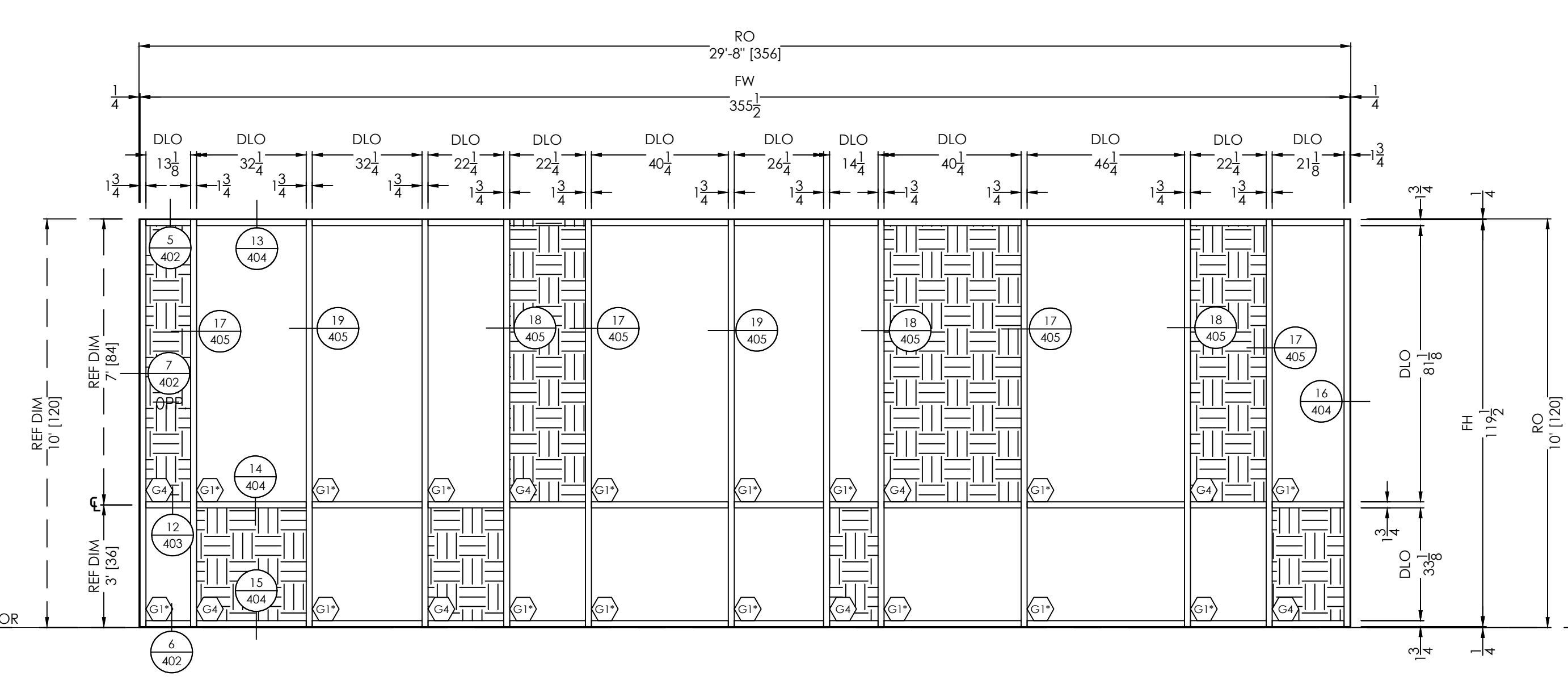
PRINTED FOR
1ST APPROVAL
SHOP USE

PROJECT NAME/LOCATION
DALLAS COLLEGE
 CEDAR VALLEY CAMPUS - ONE STOP SHOP
 3030 N DALLAS AVE - LANCASTER, TX 75134

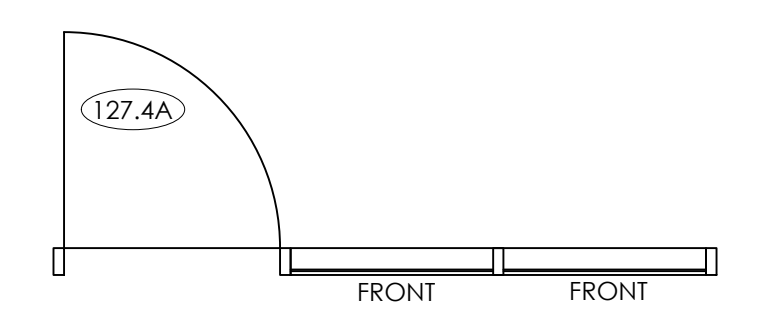
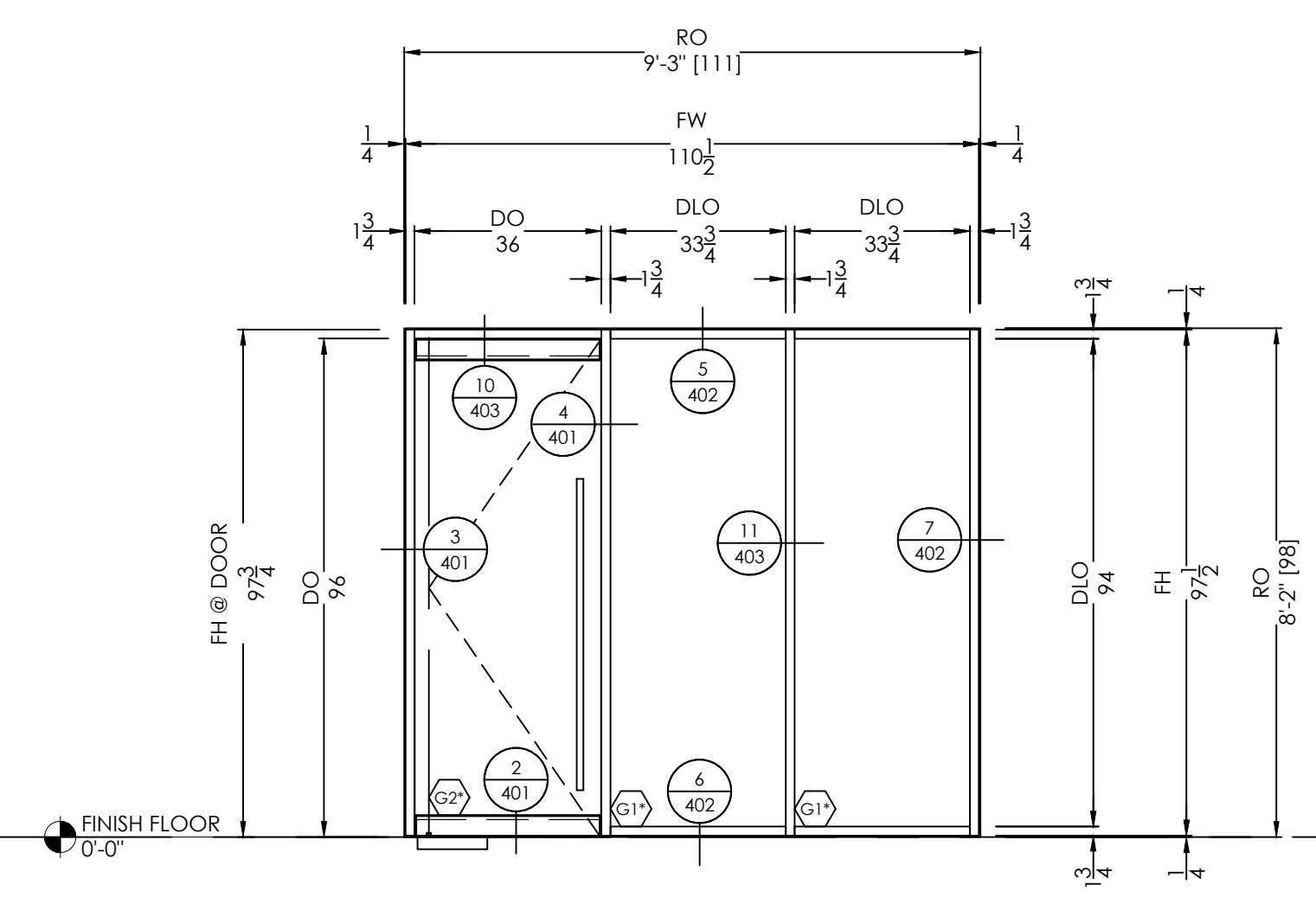
SCALE:
 1/8" = 1'-0"

SHEET NO.
 304

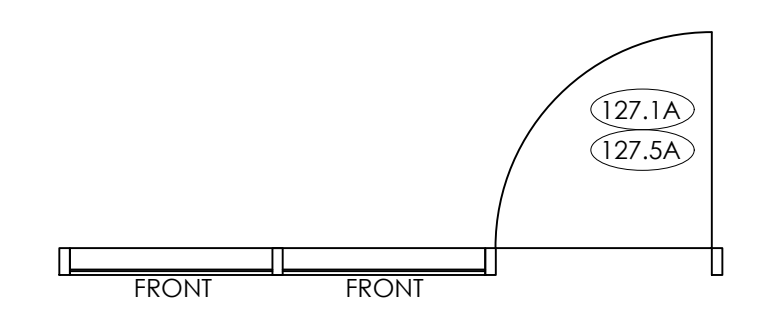
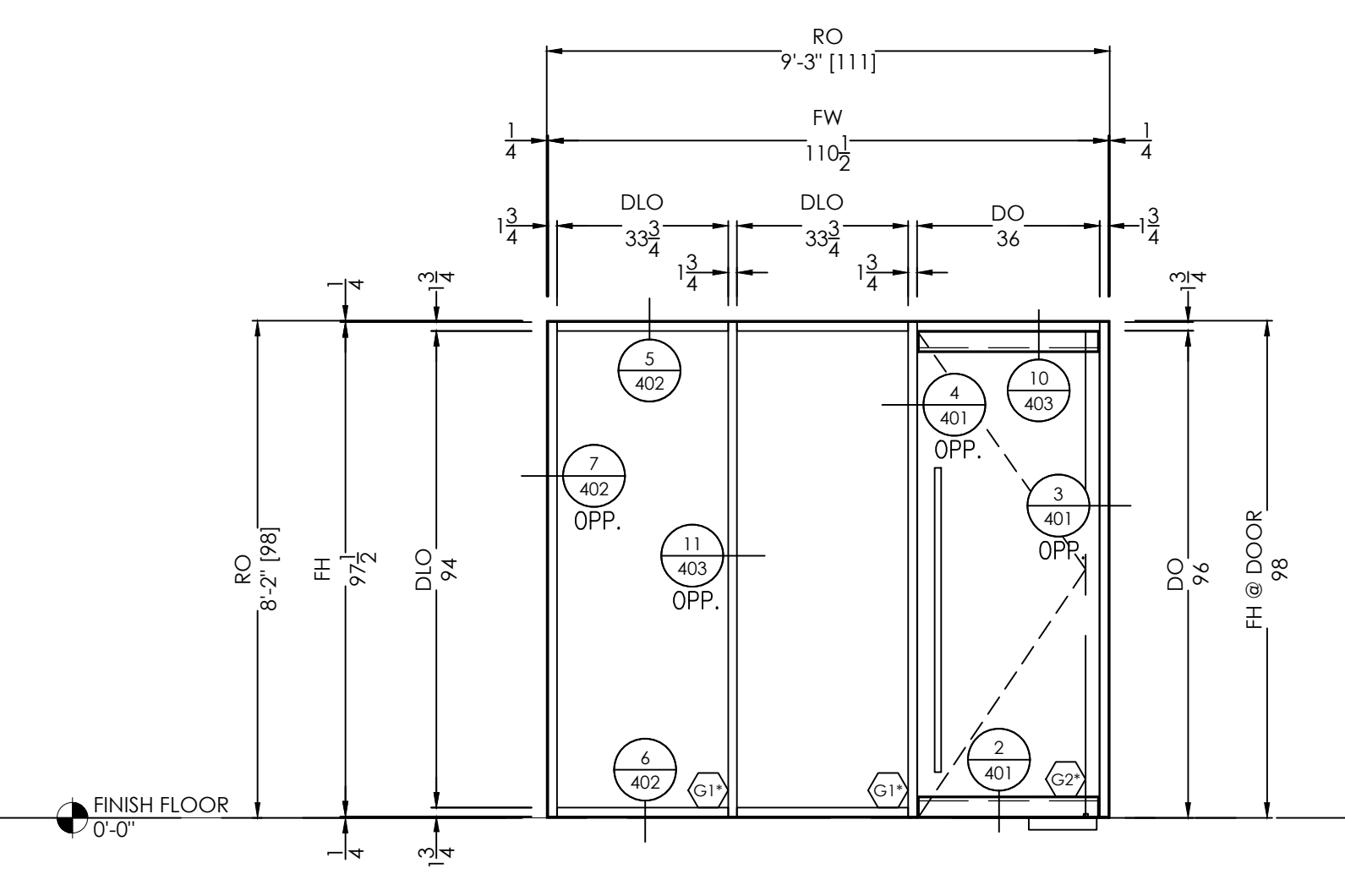
TYPICAL ELEVATION NOTES:
 • PLEASE VERIFY ALL DIMENSIONS PRIOR TO FABRICATION AND INSTALLATION.
 • PLEASE VERIFY ALL GLAZING MARKS



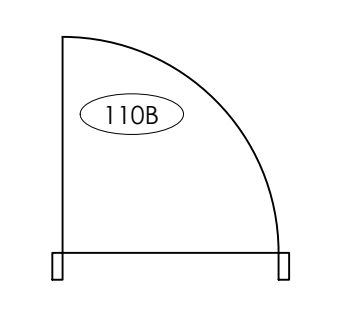
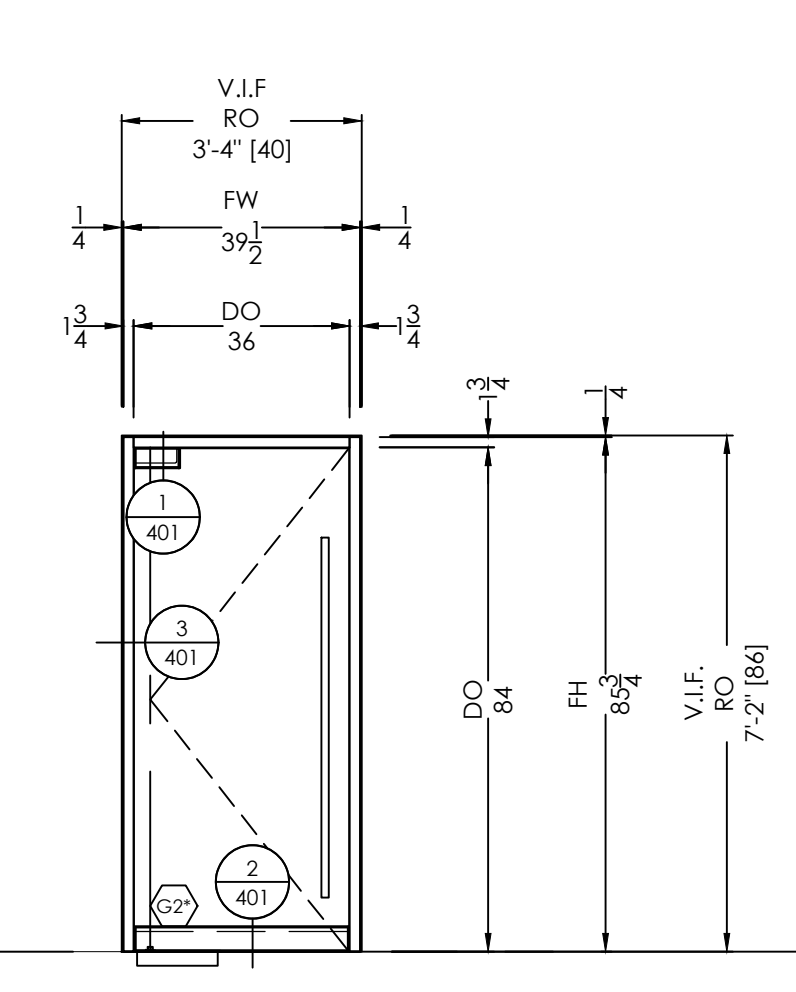
ELEVATION
 SCALE: 3/8" = 1'-0"
 QTY: 1
 FINISHES:
 EXT: PER COVER SHEET
 INT: PER COVER SHEET
 SYSTEM(S): FLUSH FRONT STOREFRONT
 ARCH. REF.: A10-00



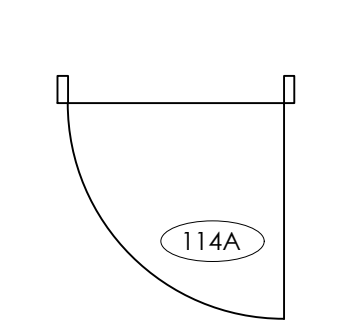
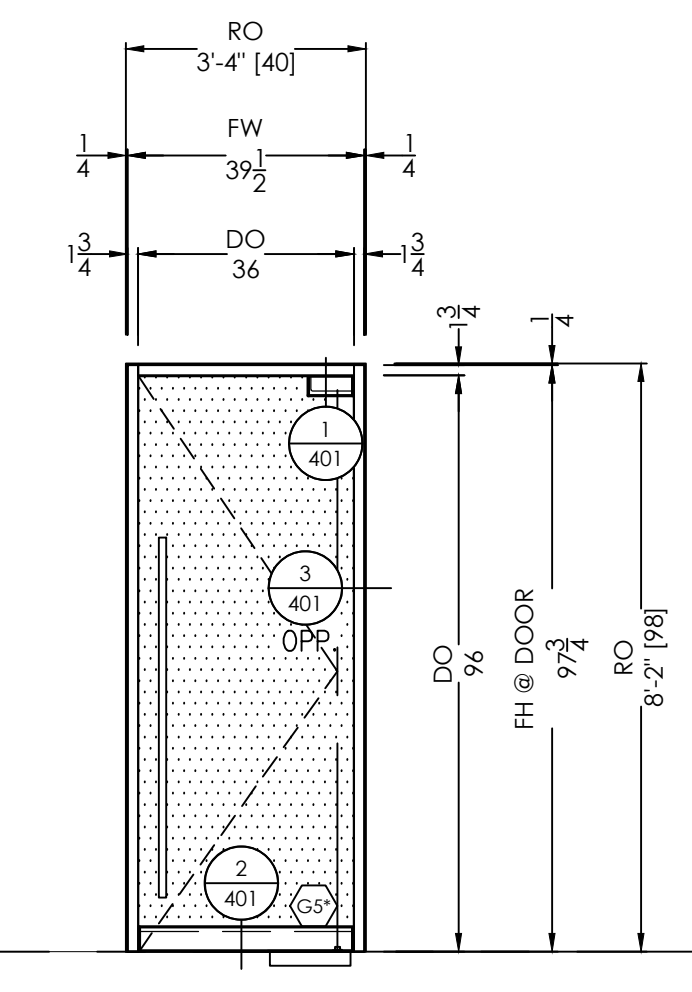
ELEVATION
 SCALE: 3/8" = 1'-0"
 QTY: 1
 FINISHES:
 EXT: PER COVER SHEET
 INT: PER COVER SHEET
 SYSTEM(S): FLUSH FRONT STOREFRONT
 P STYLE GLASS DOORS
 ARCH. REF.: A10-00



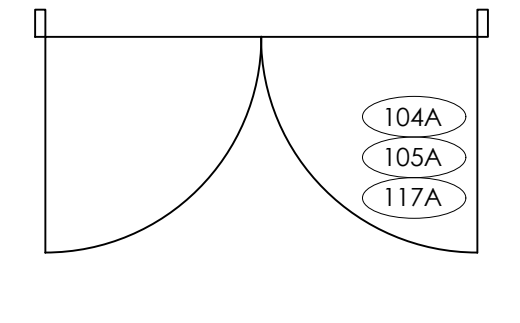
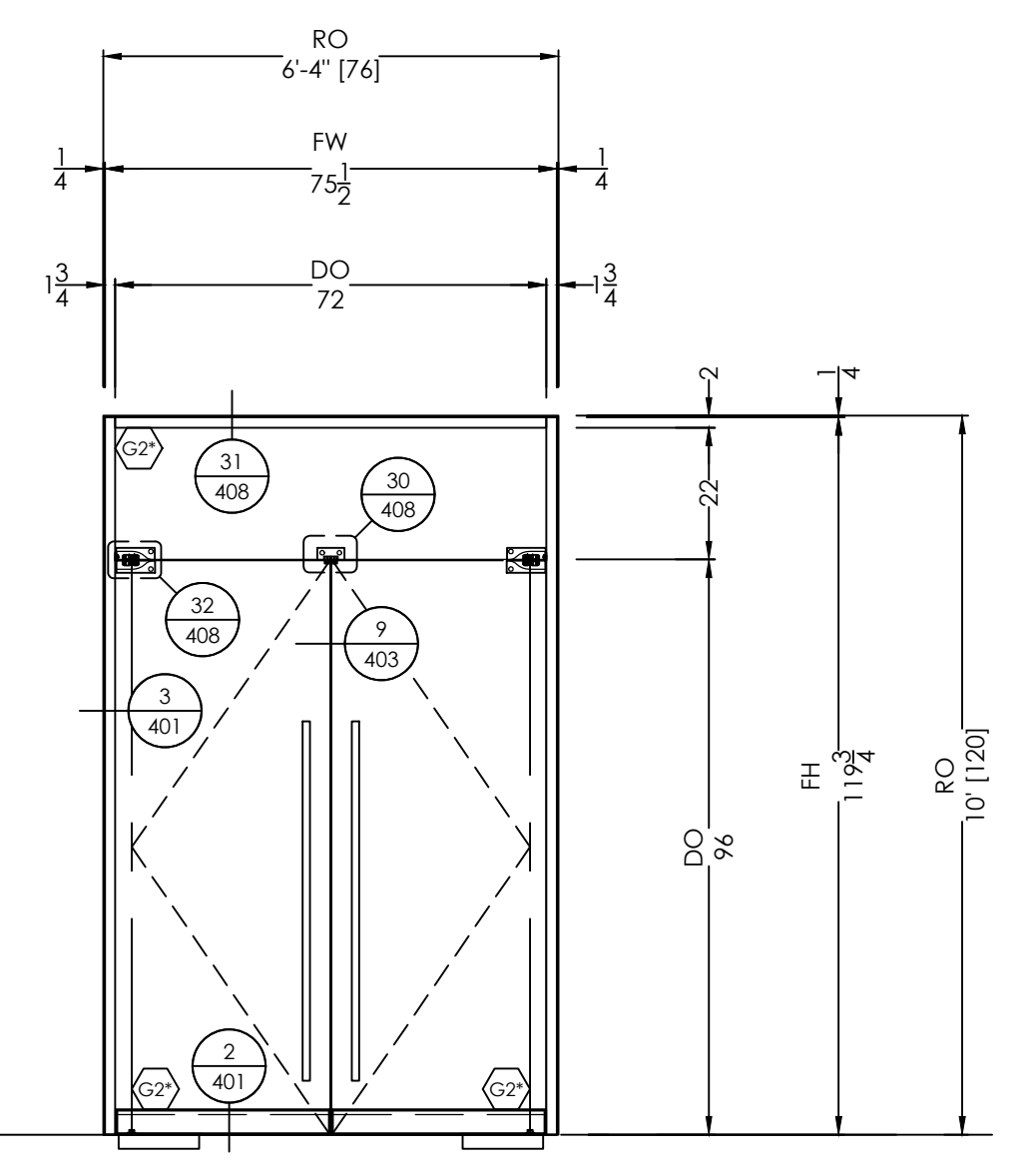
ELEVATION
 SCALE: 3/8" = 1'-0"
 QTY: 2
 FINISHES:
 EXT: PER COVER SHEET
 INT: PER COVER SHEET
 SYSTEM(S): FLUSH FRONT STOREFRONT
 P STYLE GLASS DOORS
 ARCH. REF.: A10-00



ELEVATION
 SCALE: 3/8" = 1'-0"
 QTY: 1
 FINISHES:
 EXT: PER COVER SHEET
 INT: PER COVER SHEET
 SYSTEM(S): FLUSH FRONT STOREFRONT
 BP STYLE GLASS DOORS
 ARCH. REF.: A10-00



ELEVATION
 SCALE: 3/8" = 1'-0"
 QTY: 1
 FINISHES:
 EXT: PER COVER SHEET
 INT: PER COVER SHEET
 SYSTEM(S): FLUSH FRONT STOREFRONT
 BP STYLE GLASS DOORS
 ARCH. REF.: A10-00



ELEVATION
 SCALE: 3/8" = 1'-0"
 QTY: 3
 FINISHES:
 EXT: PER COVER SHEET
 INT: PER COVER SHEET
 SYSTEM(S): FLUSH FRONT STOREFRONT
 BP STYLE GLASS DOORS
 ARCH. REF.: A10-00

VISION DRAFTING, INC.
 TEL: (475) 456-9723
 R.GRAHAM@VISIONDRAFTING.NET
 WWW.VISIONDRAFTING.NET

DATE	BY	REVISION NO.	PRINTS ISSUED FOR
12/22/2021	B.G.	REVISION #1	1ST APPROVAL
01/19/2022	B.G.	REVISION #2	SHOP USE

ARCHITECT/LOCATION

DALLAS COLLEGE
 CEDAR VALLEY CAMPUS - ONE STOP SHOP
 3030 N DALLAS AVE - LANCASTER, TX 75134

SCALE: 1/8" = 1'-0"

SHEET NO. 305

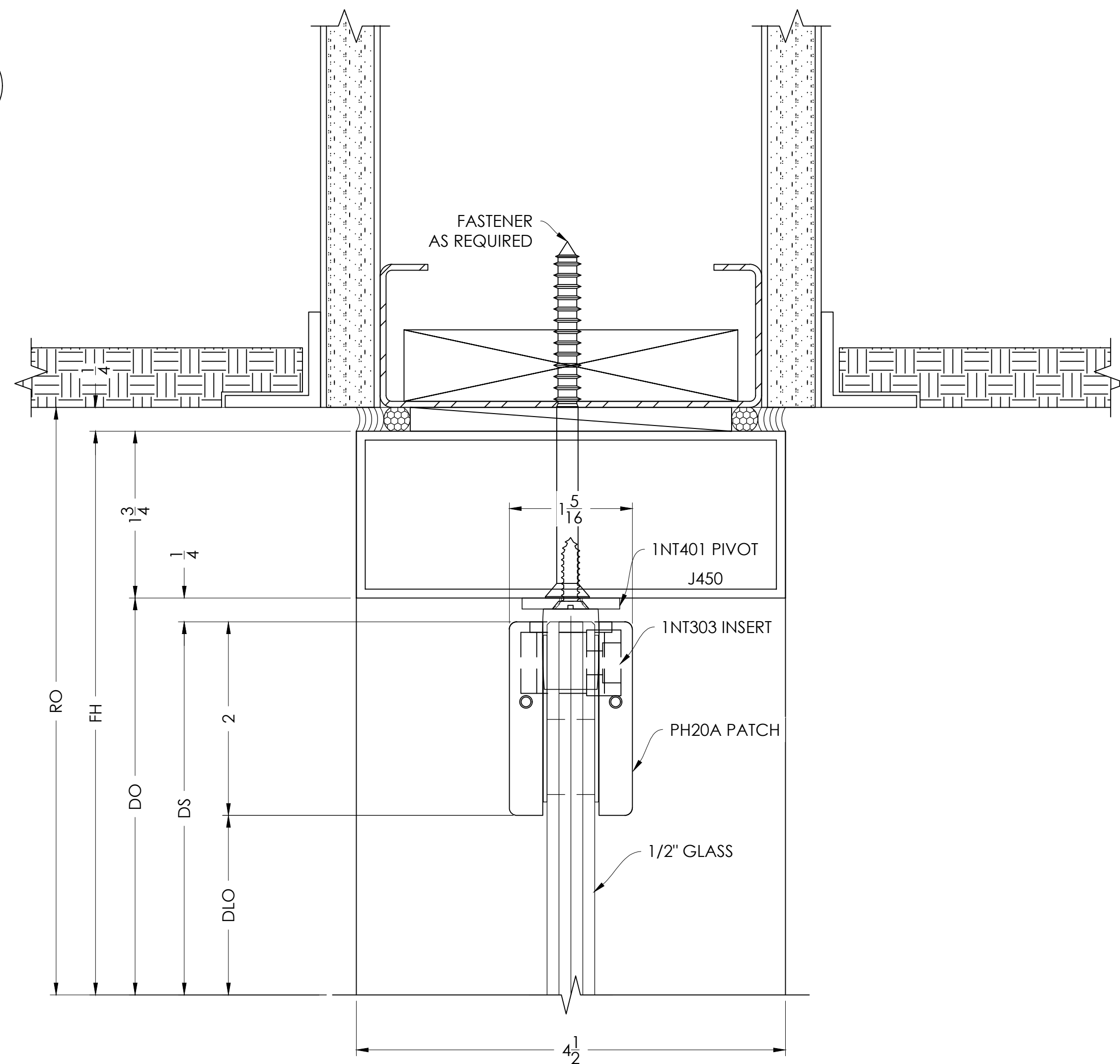
DOOR HEADER

DETAIL

1

SCALE= FULL

ARCH. REF.: 4/A10-10



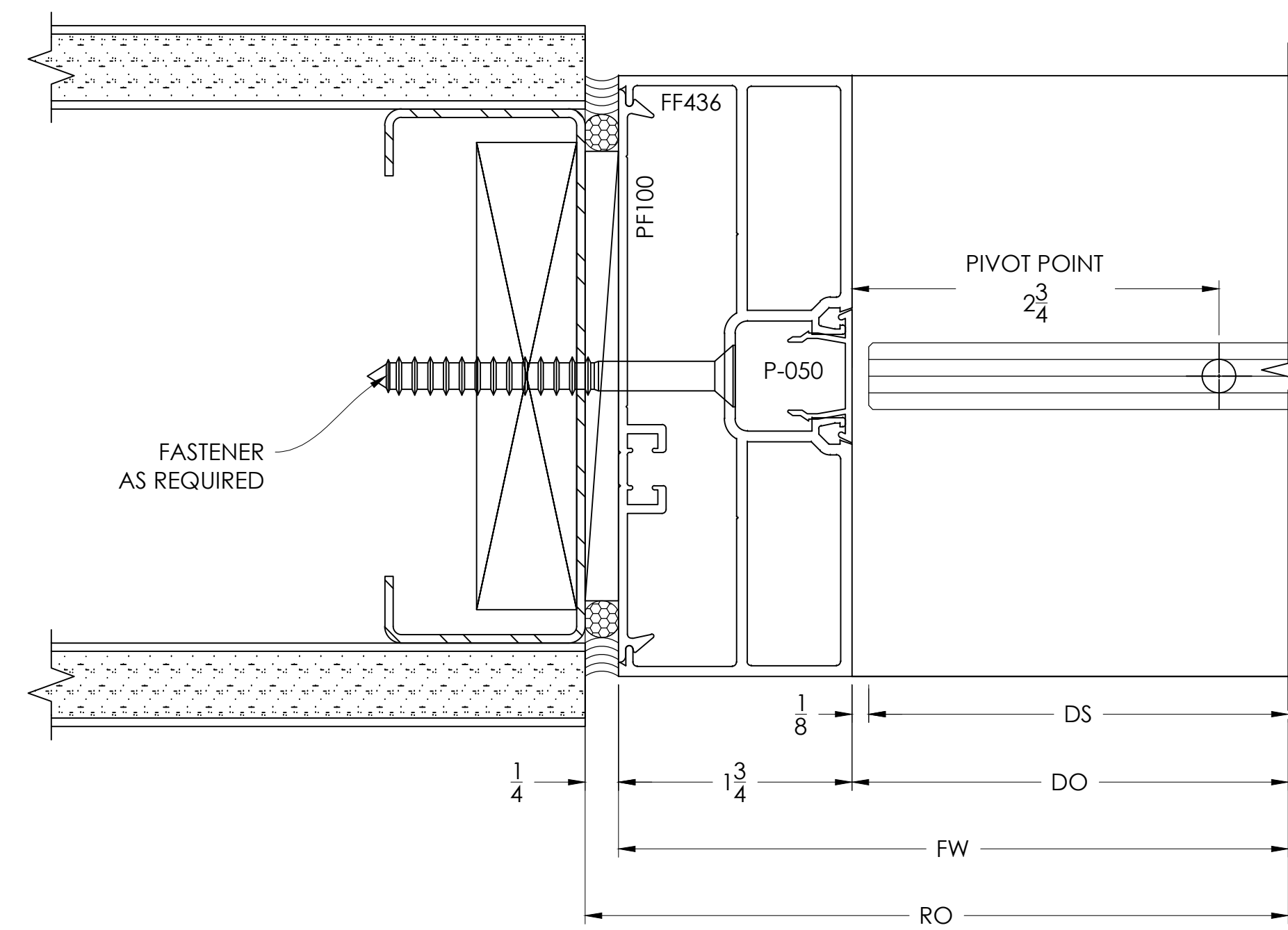
DOOR JAMB

DETAIL

3

SCALE= FULL

ARCH. REF.: 5/A10-10



TYPICAL DETAIL NOTES:
 • ADEQUATE SUPPORT MUST BE PROVIDED TO WITHSTAND LOADS IMPOSED BY WINDOW SYSTEM
 • REFER TO INSTALLATION MANUAL FOR ADD'L INFO

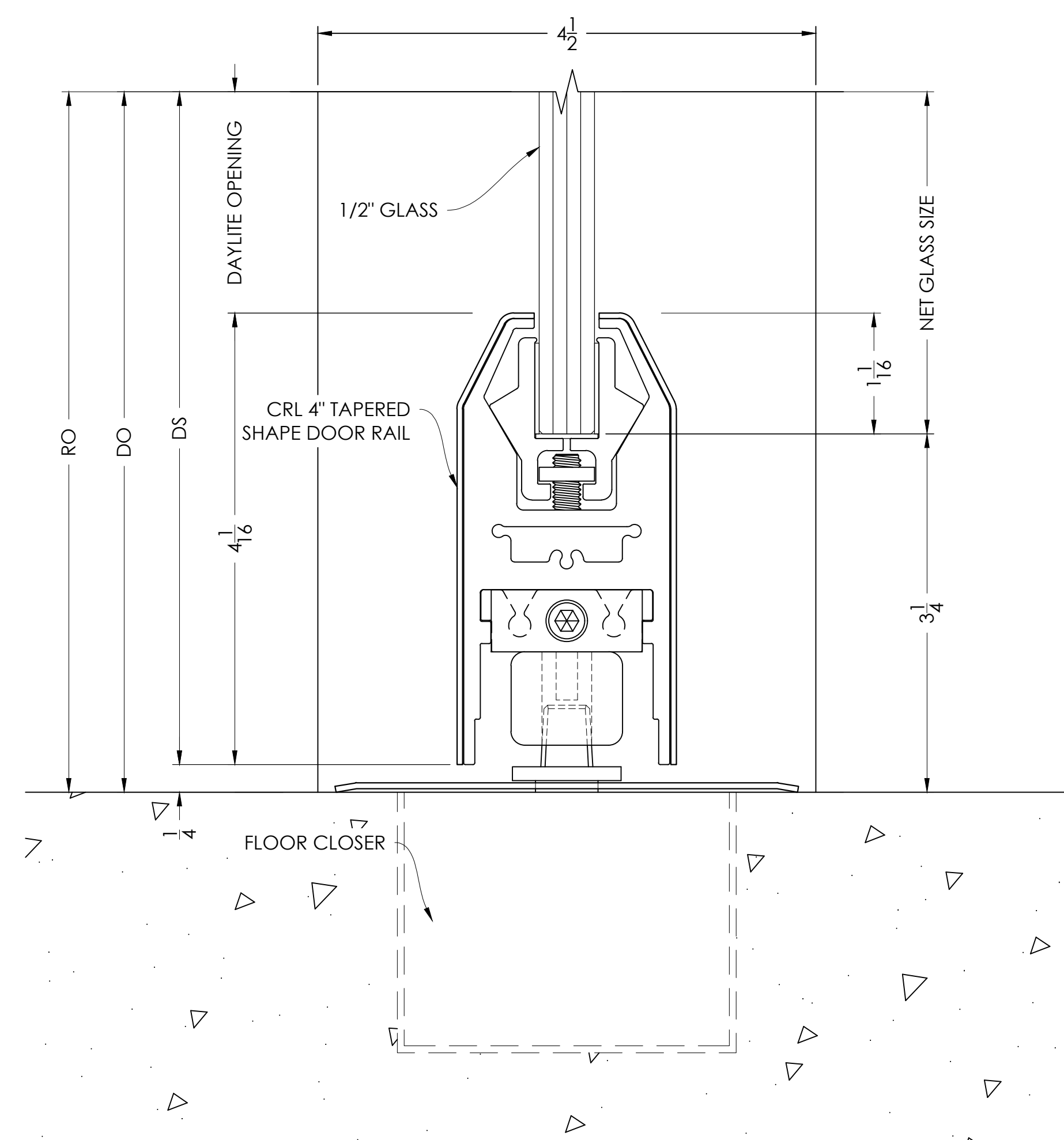
BOTTOM RAIL

DETAIL

2

SCALE= FULL

ARCH. REF.: NONE



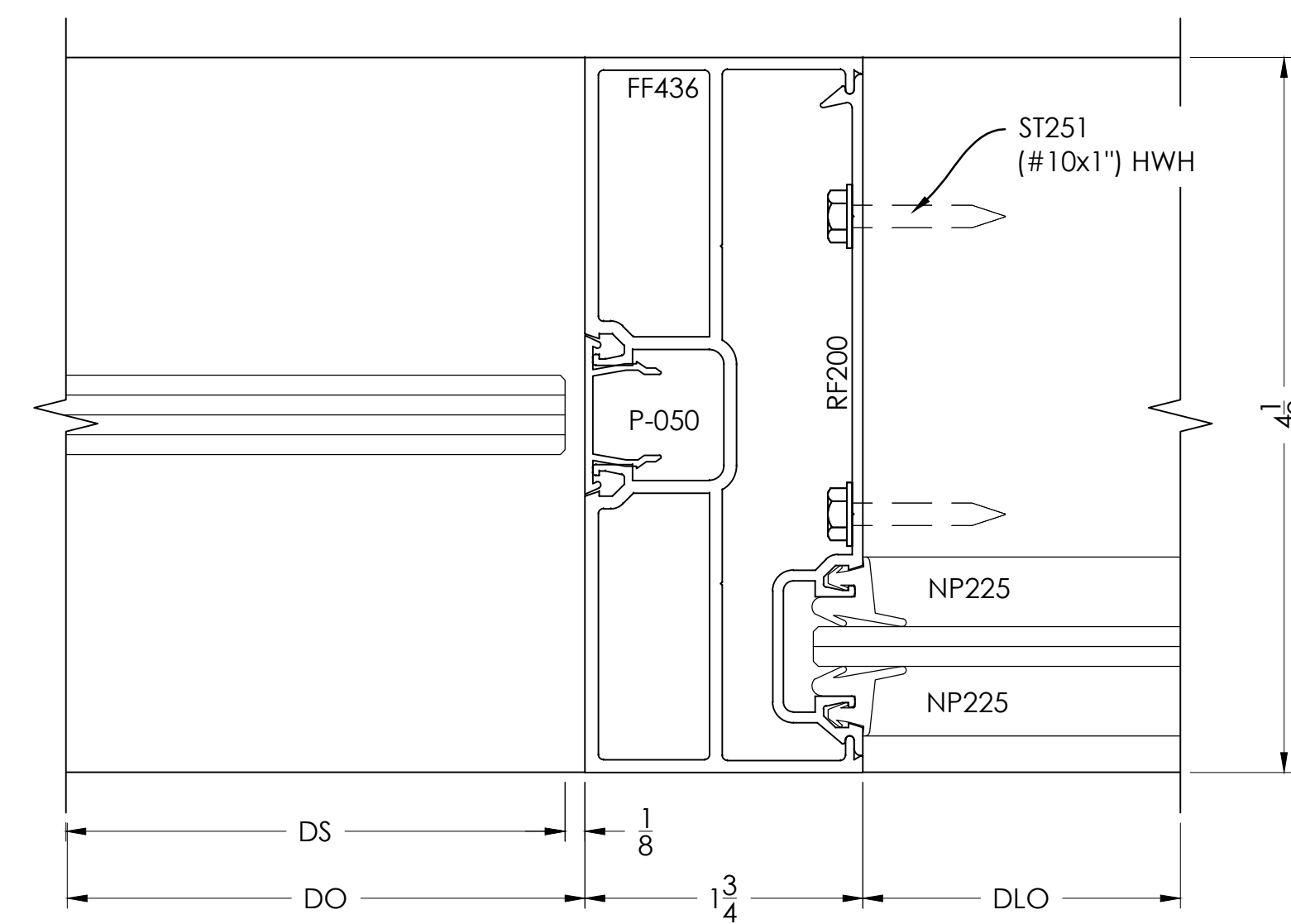
DOOR JAMB

DETAIL

4

SCALE= FULL

ARCH. REF.: NONE



VISION DRAFTING, INC.
 TEL: (475) 456-9723
 RGRAMHAM@VISIONDRAFTING.NET
 WWW.VISIONDRAFTING.NET

BY	DATE	REVISION NO.	DESCRIPTION
B.G.	12/22/2021	REVISION #1	1ST APPROVAL
B.G.	01/19/2022	REVISION #2	SHOP USE

PROJECT NAME/LOCATION: **DALLAS COLLEGE**
 CEDAR VALLEY CAMPUS - ONE STOP SHOP
 3030 N DALLAS AVE - LANCASTER, TX 75134

SCALE: 1:1
 SHEET NO. 401

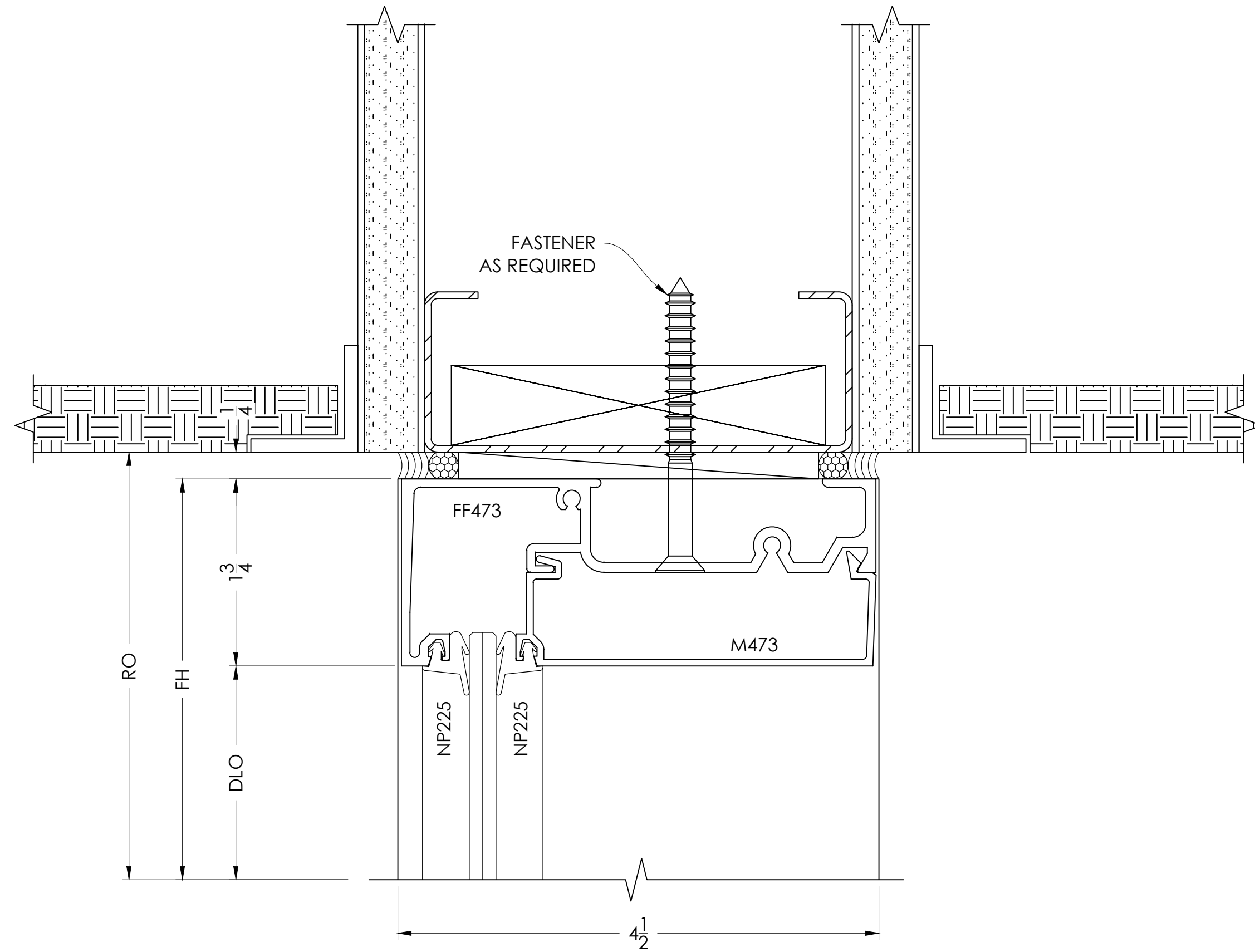
HEADER

DETAIL

5

SCALE= FULL

ARCH. REF.: 4/A10-10



JAMB

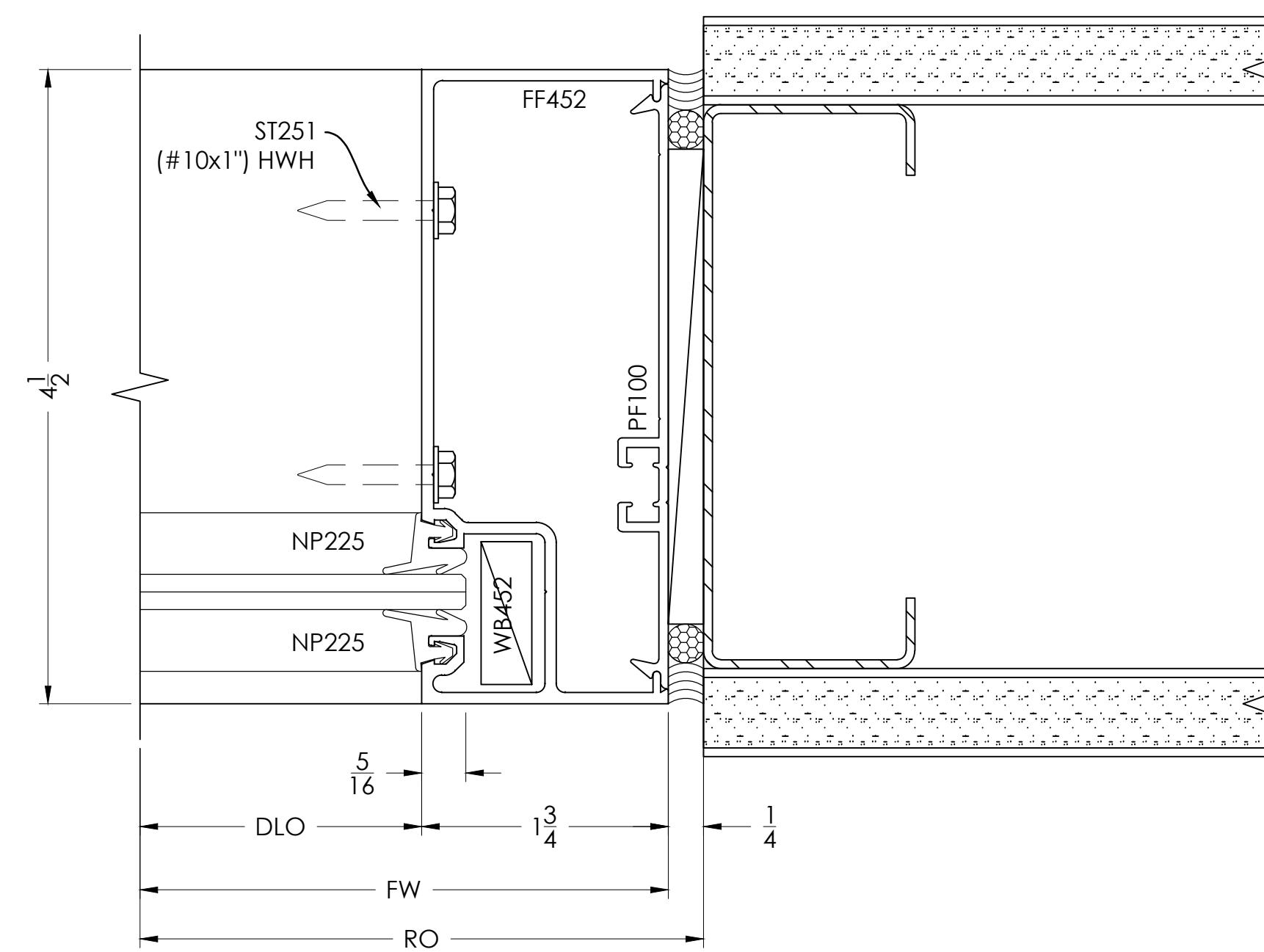
DETAIL

7

SCALE= FULL

ARCH. REF.: 5/A10-10

- TYPICAL DETAIL NOTES:
- ADEQUATE SUPPORT MUST BE PROVIDED TO WITHSTAND LOADS IMPOSED BY WINDOW SYSTEM
 - REFER TO INSTALLATION MANUAL FOR ADD'L INFO



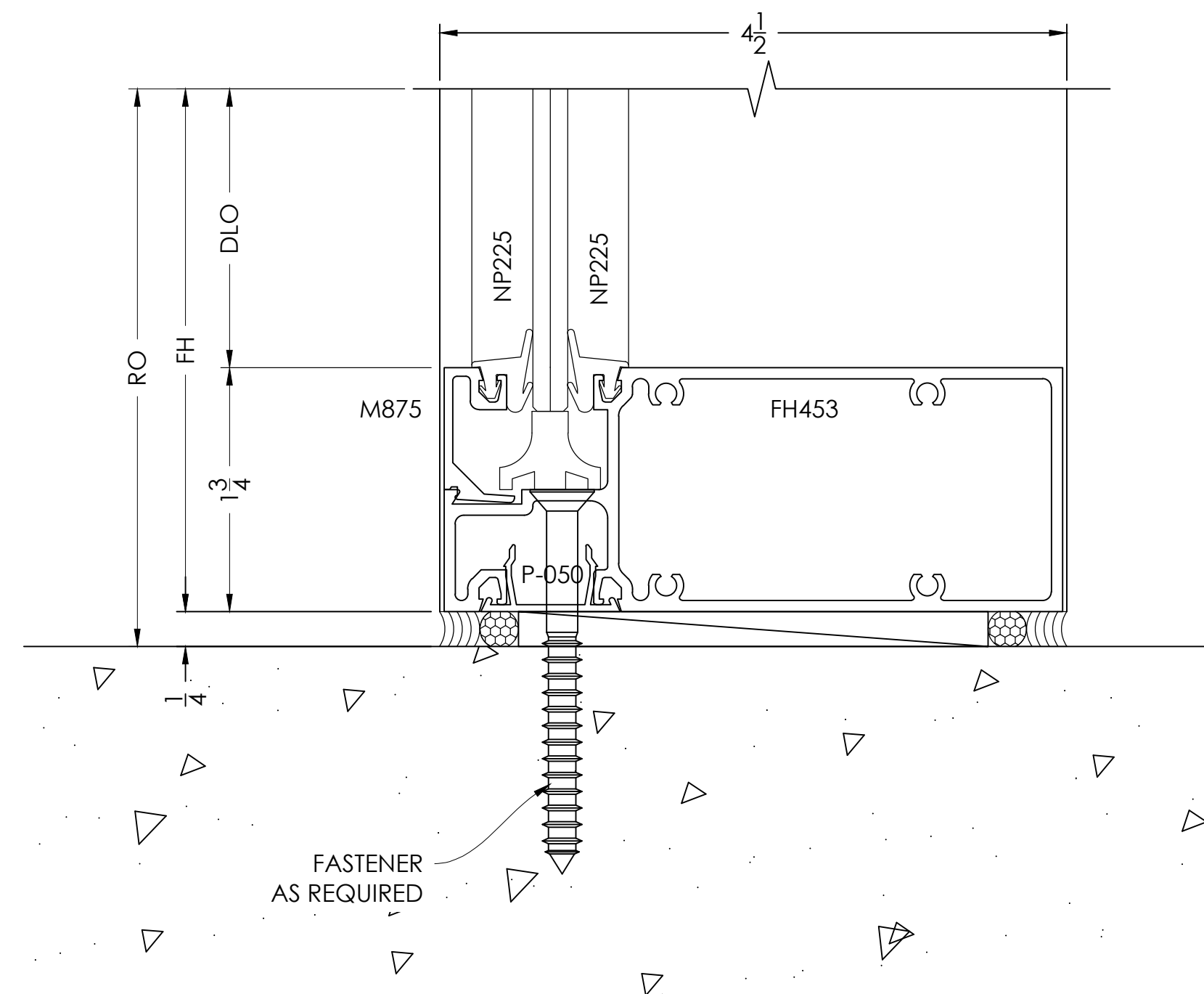
SILL

DETAIL

6

SCALE= FULL

ARCH. REF.: 1/A10-10



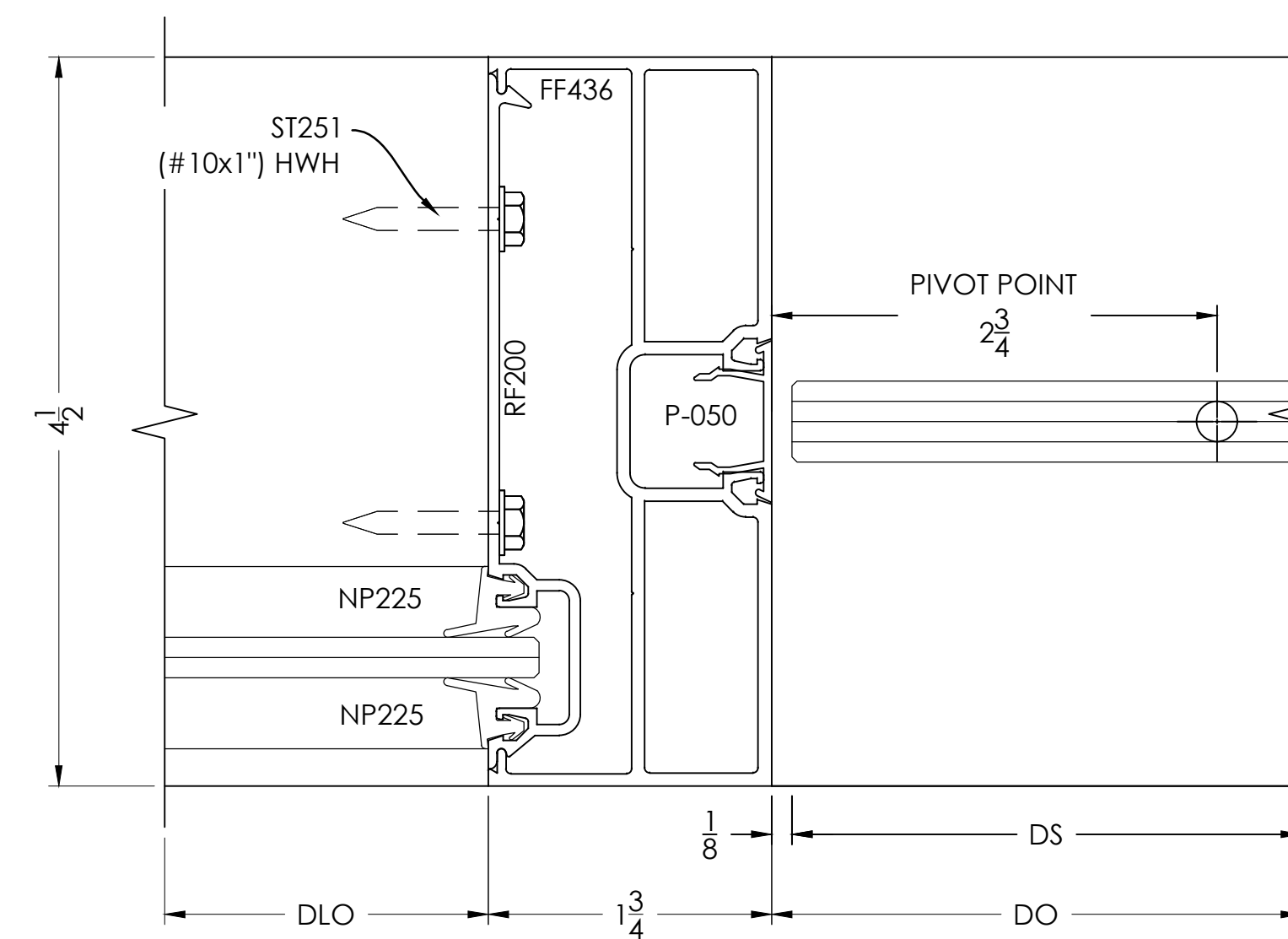
DOOR JAMB

DETAIL

8

SCALE= FULL

ARCH. REF.: NONE



VISION DRAFTING, INC.

TEL: (475) 456-9723
RGRAM@VISIONDRAFTING.NET
WWW.VISIONDRAFTING.NET

DATE	BY	REVISION NO.	DESCRIPTION
11/30/2021	B.G.	REVISION #1	1ST APPROVAL
01/26/2022	B.G.	REVISION #2	SHOP USE
12/22/2021	B.G.	REVISION #1	
01/19/2022	B.G.	REVISION #2	

ARCHITECT/LOCATION

PROJECT NAME/LOCATION

DALLAS COLLEGE
CEDAR VALLEY CAMPUS - ONE STOP SHOP
3030 N DALLAS AVE - LANCASTER, TX 75134

SCALE:

1:1

SHEET NO.

402

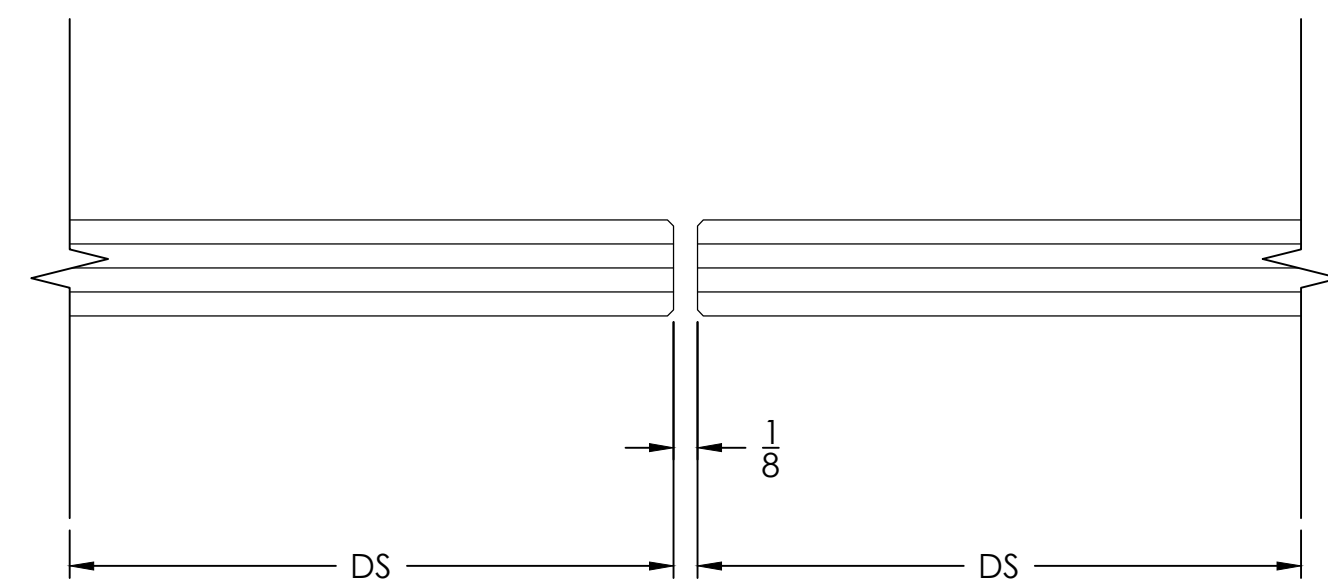
1/2" GLASS DOORS

DETAIL

SCALE= FULL

ARCH. REF.: NONE

9



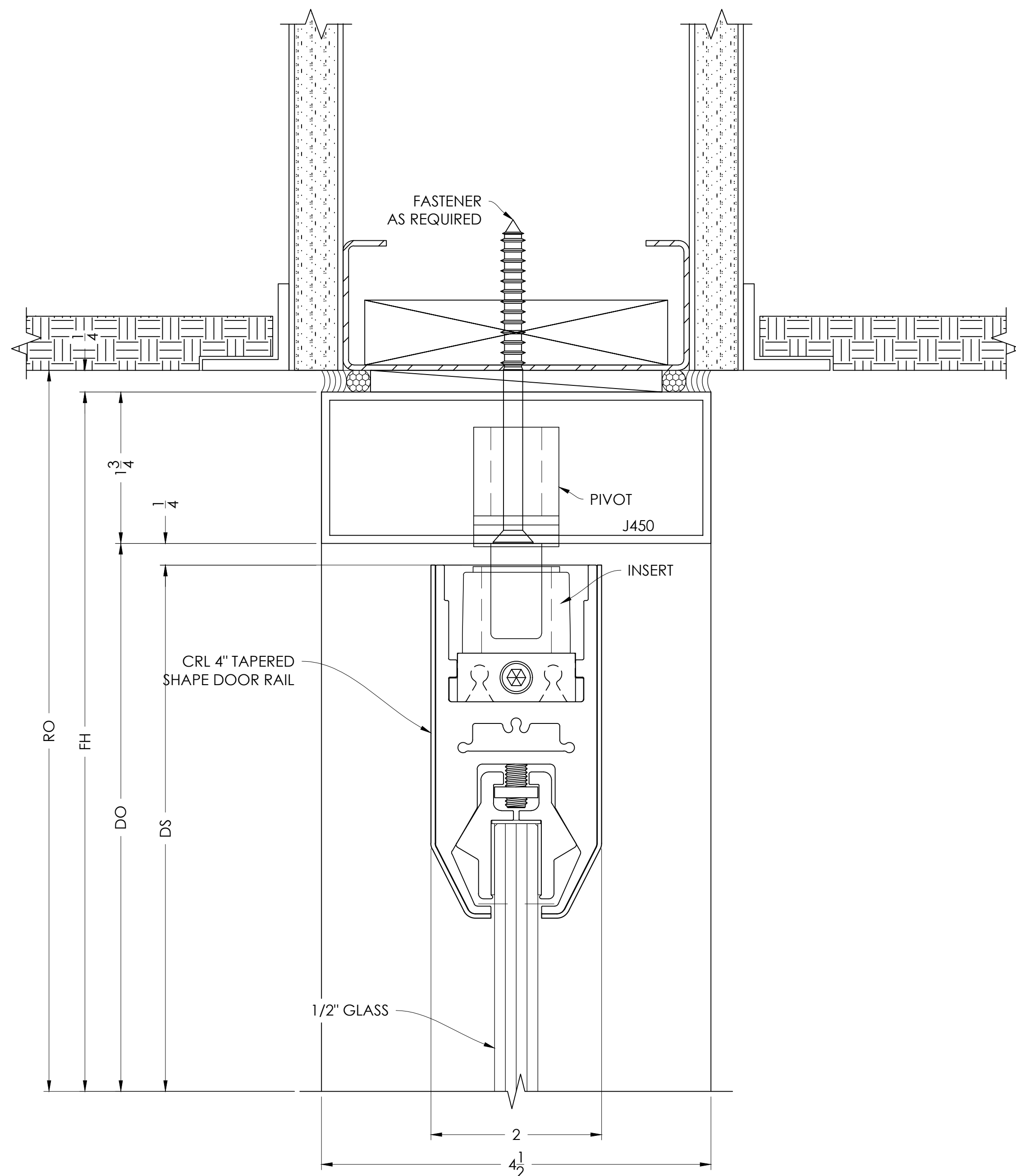
DOOR HEADER

DETAIL

SCALE= FULL

ARCH. REF.: 4/A10-10

10



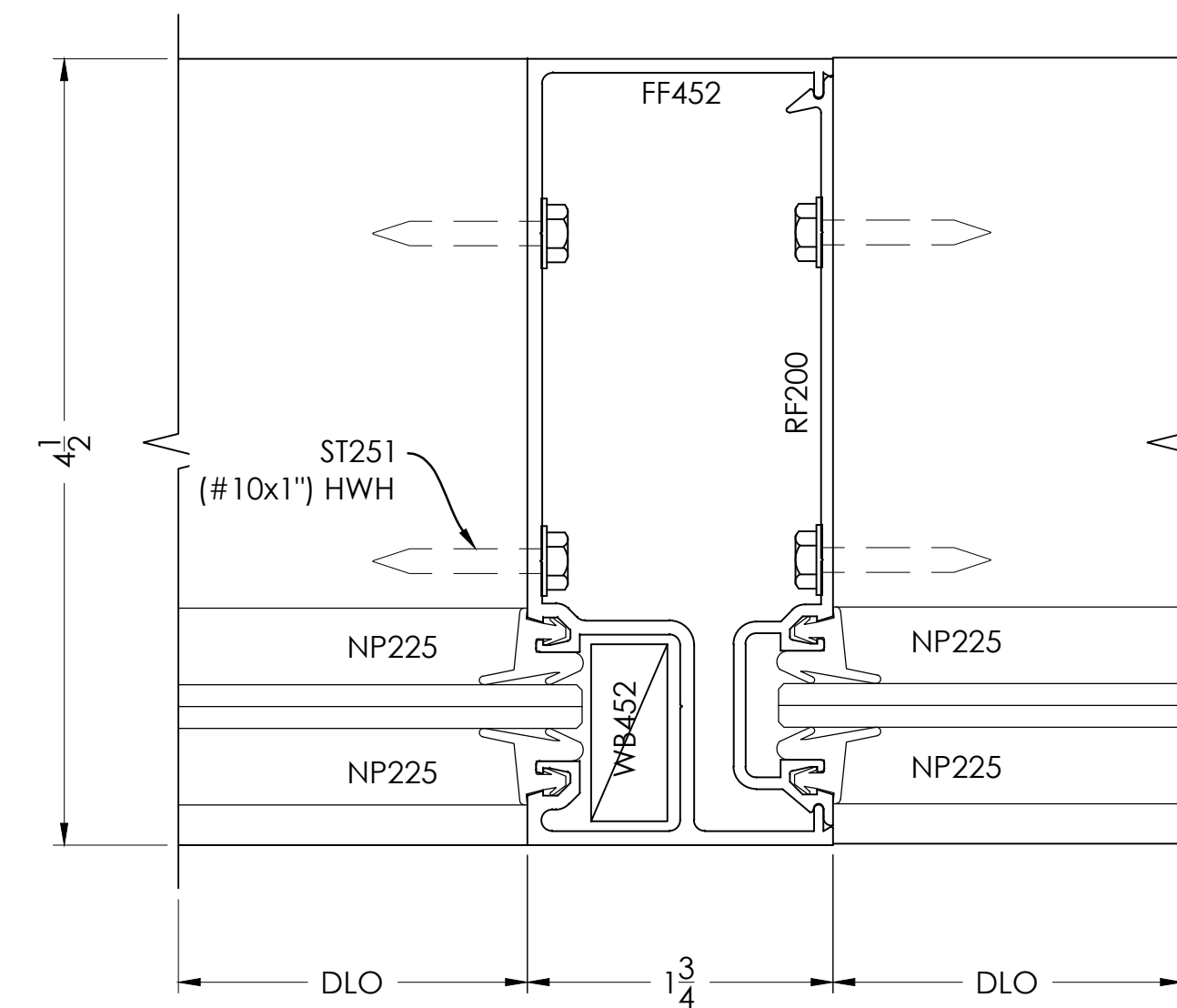
INTERMEDIATE VERTICAL

DETAIL

SCALE= FULL

ARCH. REF.: NONE

11



TYPICAL DETAIL NOTES:
 • ADEQUATE SUPPORT MUST BE PROVIDED TO WITHSTAND LOADS IMPOSED BY WINDOW SYSTEM
 • REFER TO INSTALLATION MANUAL FOR ADD'L INFO

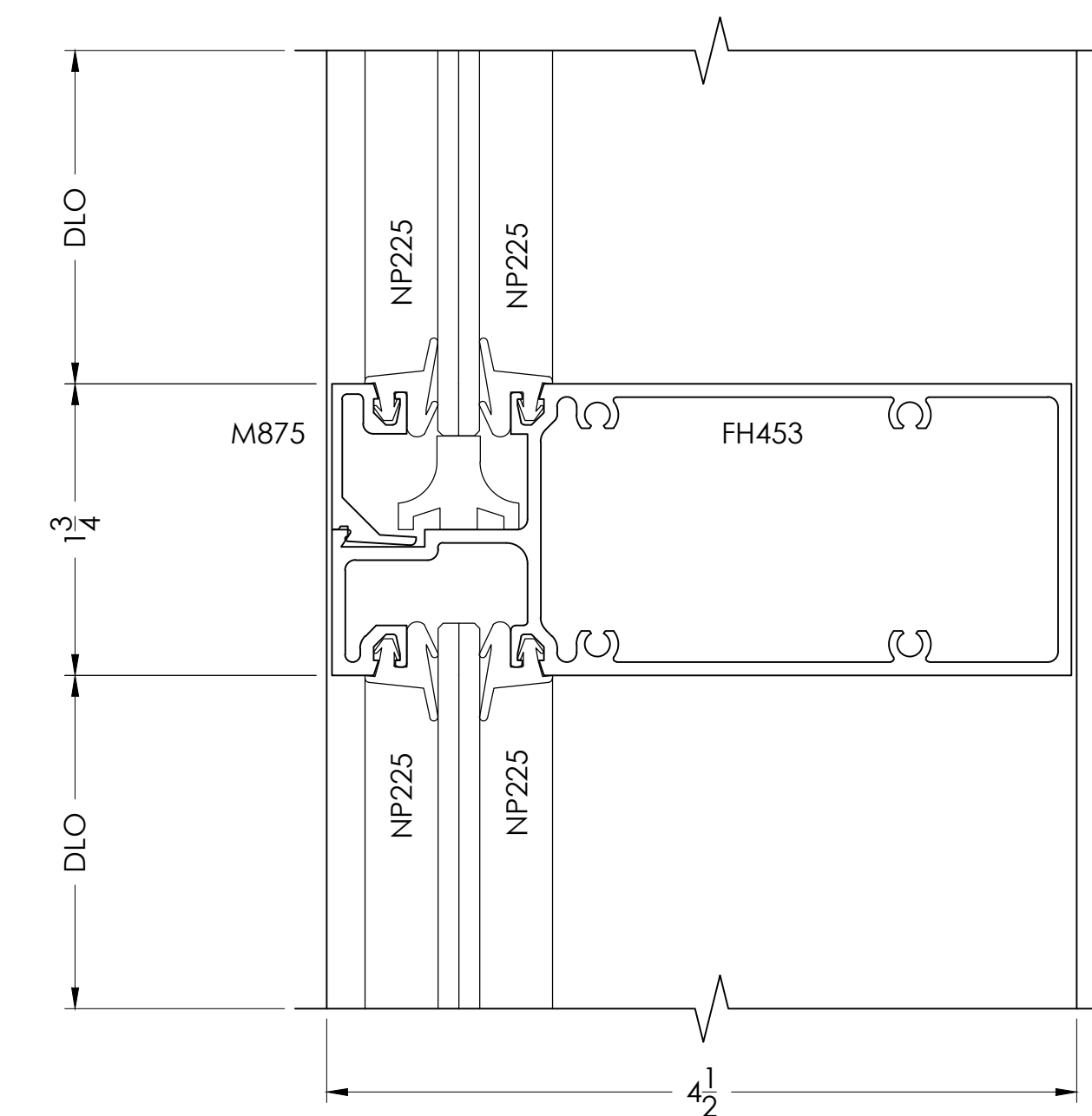
INTERMEDIATE HORIZONTAL

DETAIL

SCALE= FULL

ARCH. REF.: NONE

12



BY	DATE	REVISION NO.	PRINTS ISSUED FOR
B.G.	12/22/2021	REVISION #1	1ST APPROVAL
B.G.	01/19/2022	REVISION #2	SHOP USE

ARCHITECT/LOCATION

PROJECT NAME/LOCATION
DALLAS COLLEGE
 CEDAR VALLEY CAMPUS - ONE STOP SHOP
 3030 N DALLAS AVE - LANCASTER, TX 75134

SCALE:
 1:1

SHEET NO.
 403

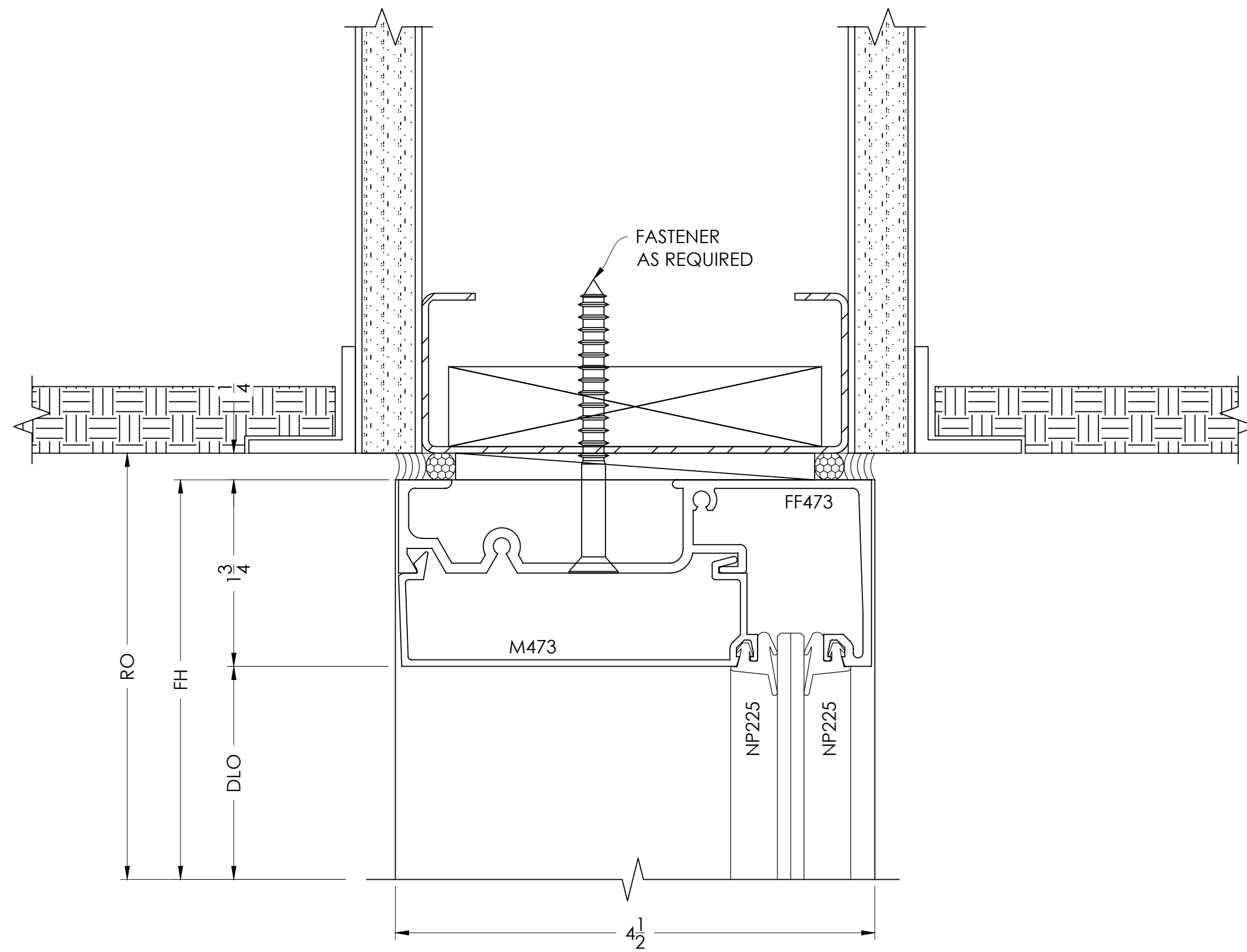
HEADER

DETAIL

SCALE= FULL

ARCH. REF.: 4/A10-10

13



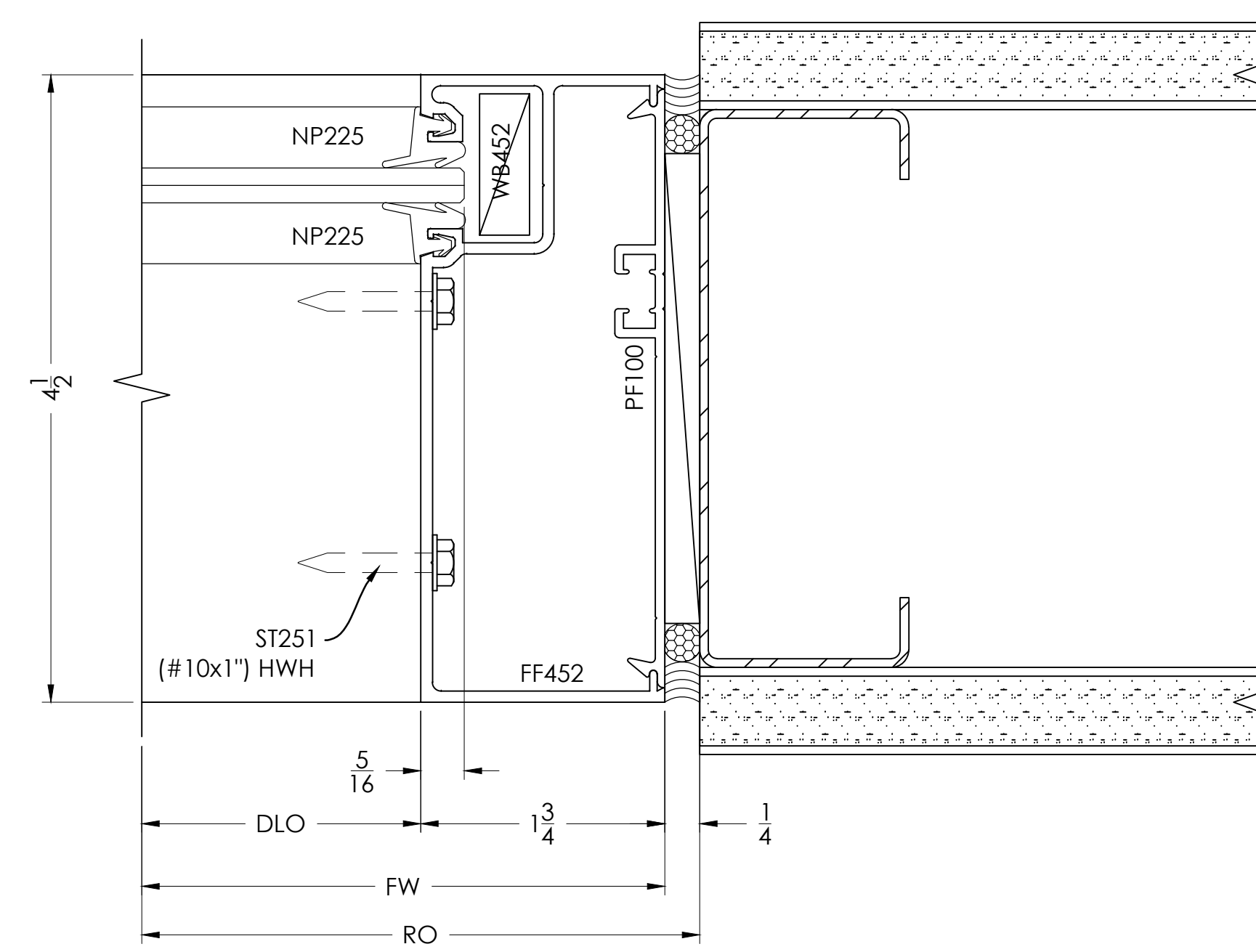
JAMB

DETAIL

SCALE= FULL

ARCH. REF.: 5/A10-10

16



TYPICAL DETAIL NOTES:

- ADEQUATE SUPPORT MUST BE PROVIDED TO WITHSTAND LOADS IMPOSED BY WINDOW SYSTEM
- REFER TO INSTALLATION MANUAL FOR ADD'L INFO

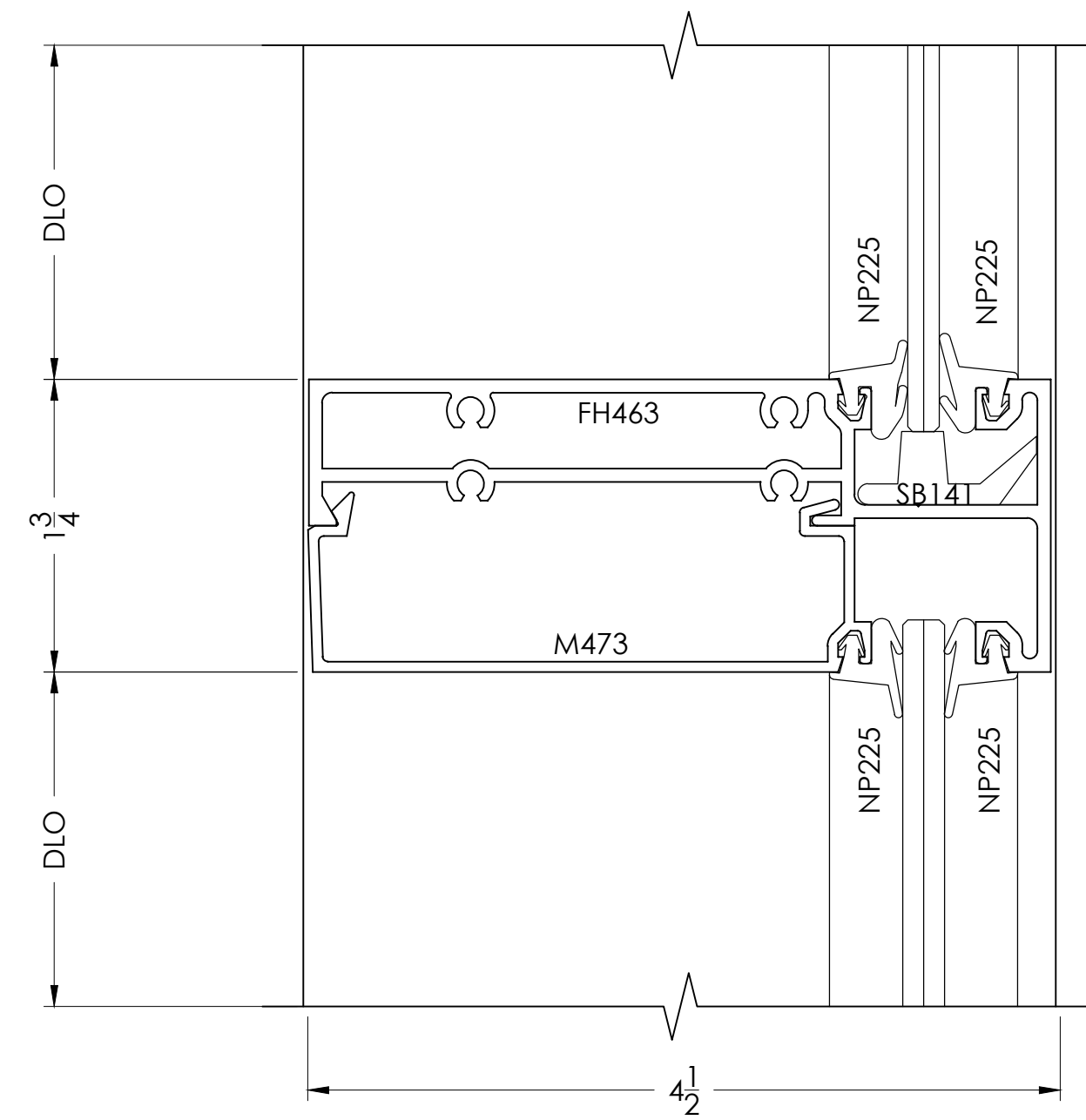
INTERMEDIATE HORIZONTAL

DETAIL

SCALE= FULL

ARCH. REF.: NONE

14



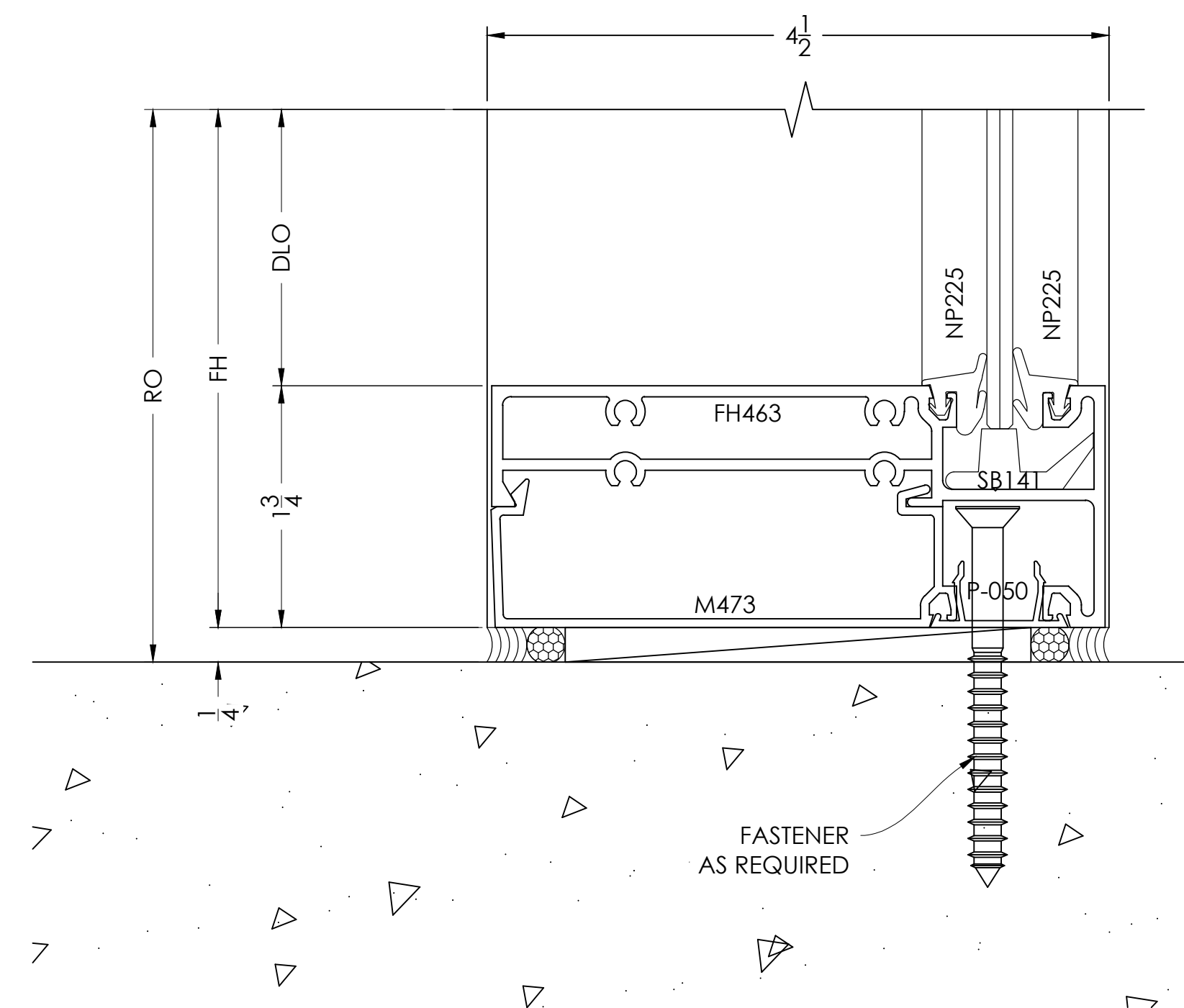
SILL

DETAIL

SCALE= FULL

ARCH. REF.: 1/A10-10

15



VISION DRAFTING, INC.

TEL: (475) 456-9723

REGISTRATION: 11/19/2011

WWW.VISIONDRAFTING.NET

BY DATE

BY DATE

BY DATE

BY DATE

BY DATE

BY DATE

BY DATE

BY DATE

BY DATE

BY DATE

BY DATE

BY DATE

BY DATE

BY DATE

BY DATE

BY DATE

BY DATE

BY DATE

BY DATE

BY DATE

BY DATE

BY DATE

BY DATE

BY DATE

BY DATE

BY DATE

BY DATE

BY DATE

BY DATE

BY DATE

BY DATE

BY DATE

BY DATE

BY DATE

BY DATE

BY DATE

BY DATE

BY DATE

BY DATE

BY DATE

BY DATE

BY DATE

BY DATE

BY DATE

BY DATE

BY DATE

BY DATE

BY DATE

BY DATE

BY DATE

BY DATE

BY DATE

BY DATE

BY DATE

BY DATE

BY DATE

BY DATE

BY DATE

BY DATE

BY DATE

BY DATE

BY DATE

BY DATE

BY DATE

BY DATE

BY DATE

BY DATE

BY DATE

BY DATE

BY DATE

PROJECT NAME/LOCATION

DALLAS COLLEGE

CEDAR VALLEY CAMPUS - ONE STOP SHOP

3030 N DALLAS AVE - LANCASTER, TX 75134

SCALE:

1:1

SHEET NO.

404

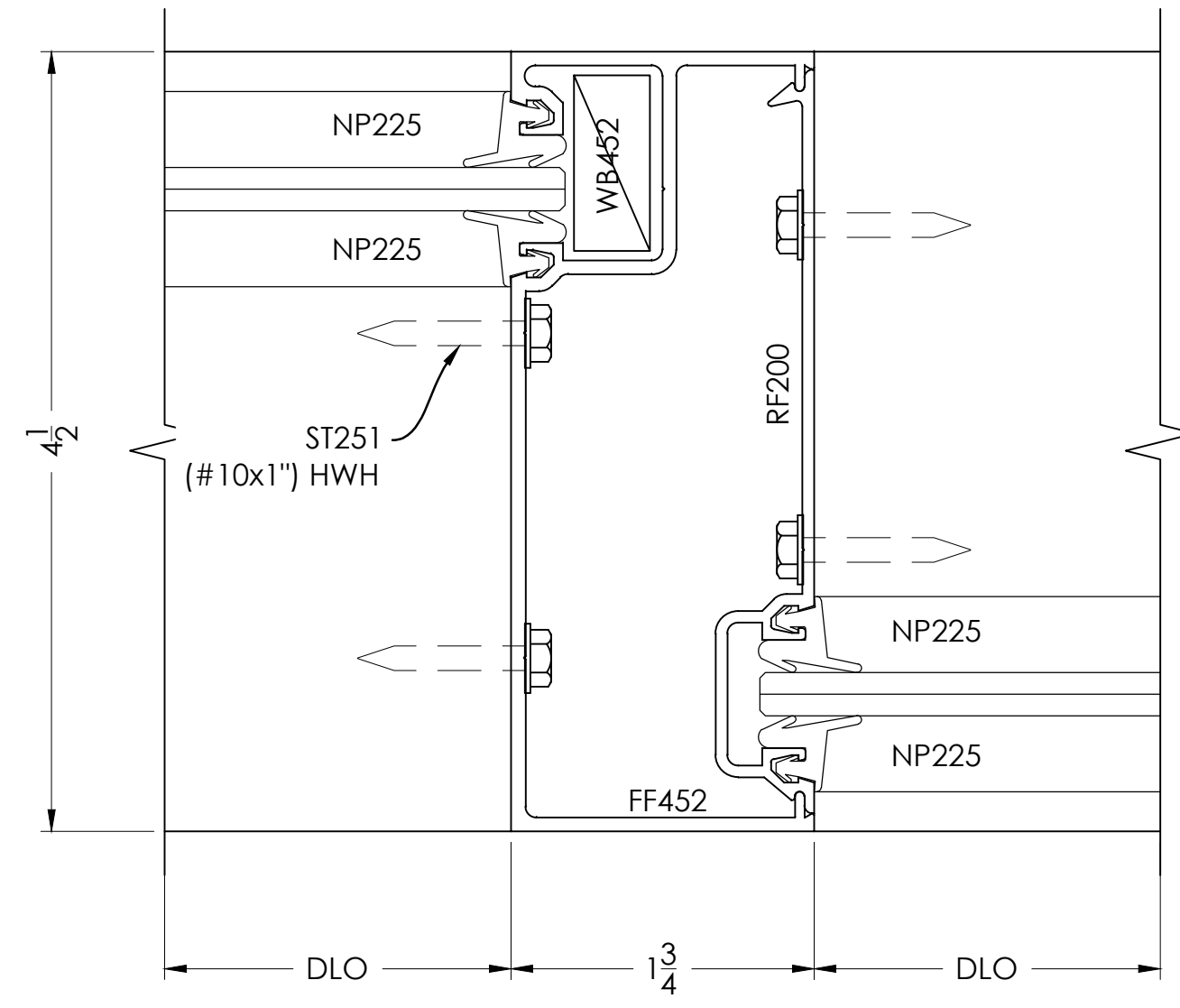
INTERMEDIATE VERTICAL

DETAIL

18

SCALE= FULL

ARCH. REF.: NONE



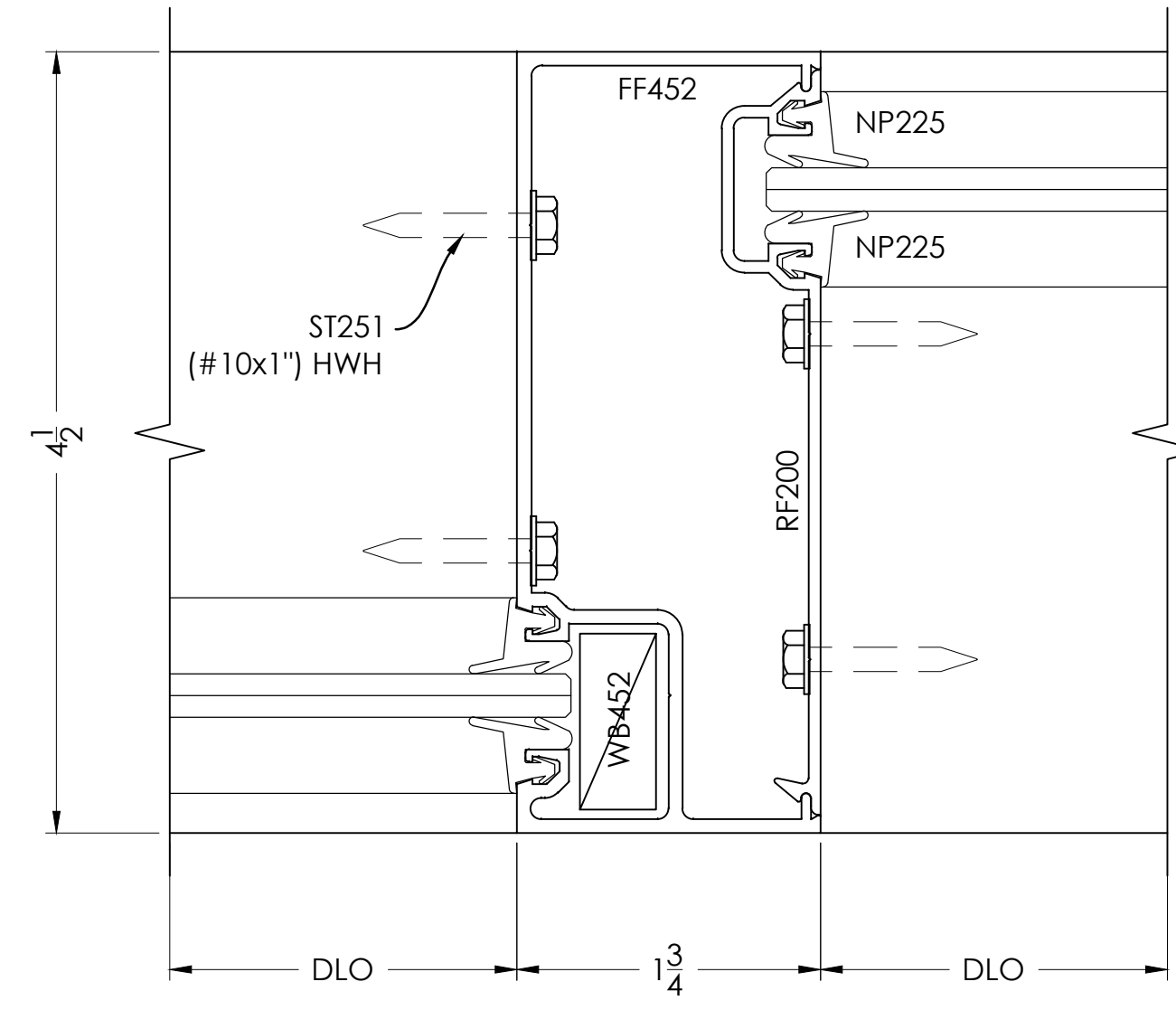
INTERMEDIATE VERTICAL

DETAIL

17

SCALE= FULL

ARCH. REF.: NONE



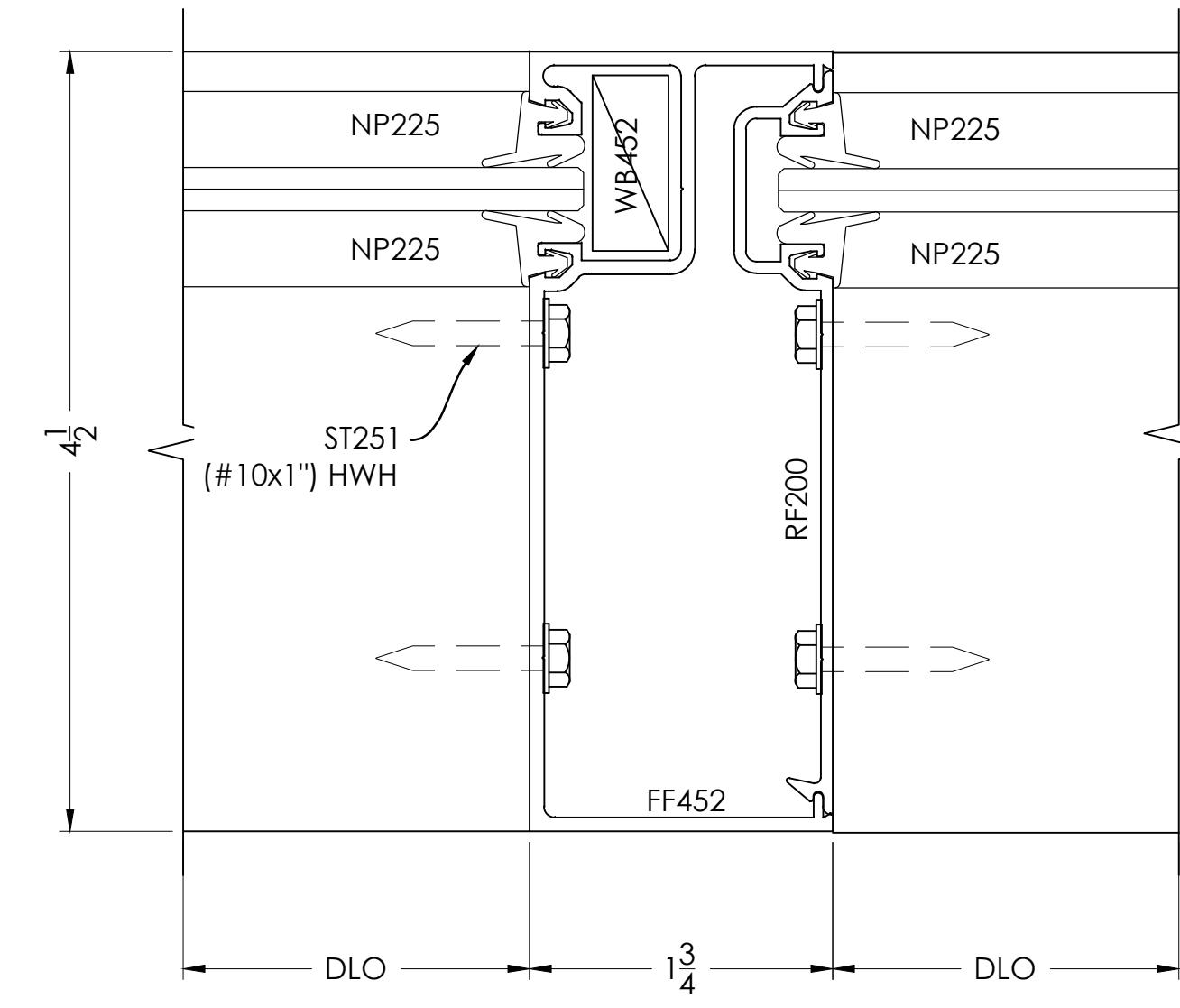
INTERMEDIATE VERTICAL

DETAIL

19

SCALE= FULL

ARCH. REF.: NONE



- TYPICAL DETAIL NOTES:
- ADEQUATE SUPPORT MUST BE PROVIDED TO WITHSTAND LOADS IMPOSED BY WINDOW SYSTEM
 - REFER TO INSTALLATION MANUAL FOR ADD'L INFO



TEL: (479) 436-9723
 G. GRAHAM@VISIONDRAFTING.NET
 WWW.VISIONDRAFTING.NET

PRINTS ISSUED FOR	DATE	BY	REVISION NO.
1ST APPROVAL	11/30/2021	B.G.	REVISION #1
SHOP USE	01/26/2022	B.G.	REVISION #2

ARCHITECT/LOCATION

PROJECT NAME/LOCATION
DALLAS COLLEGE
 CEDAR VALLEY CAMPUS - ONE STOP SHOP
 3030 N DALLAS AVE - LANCASTER, TX 75134

SCALE: 1:1

SHEET NO. 405

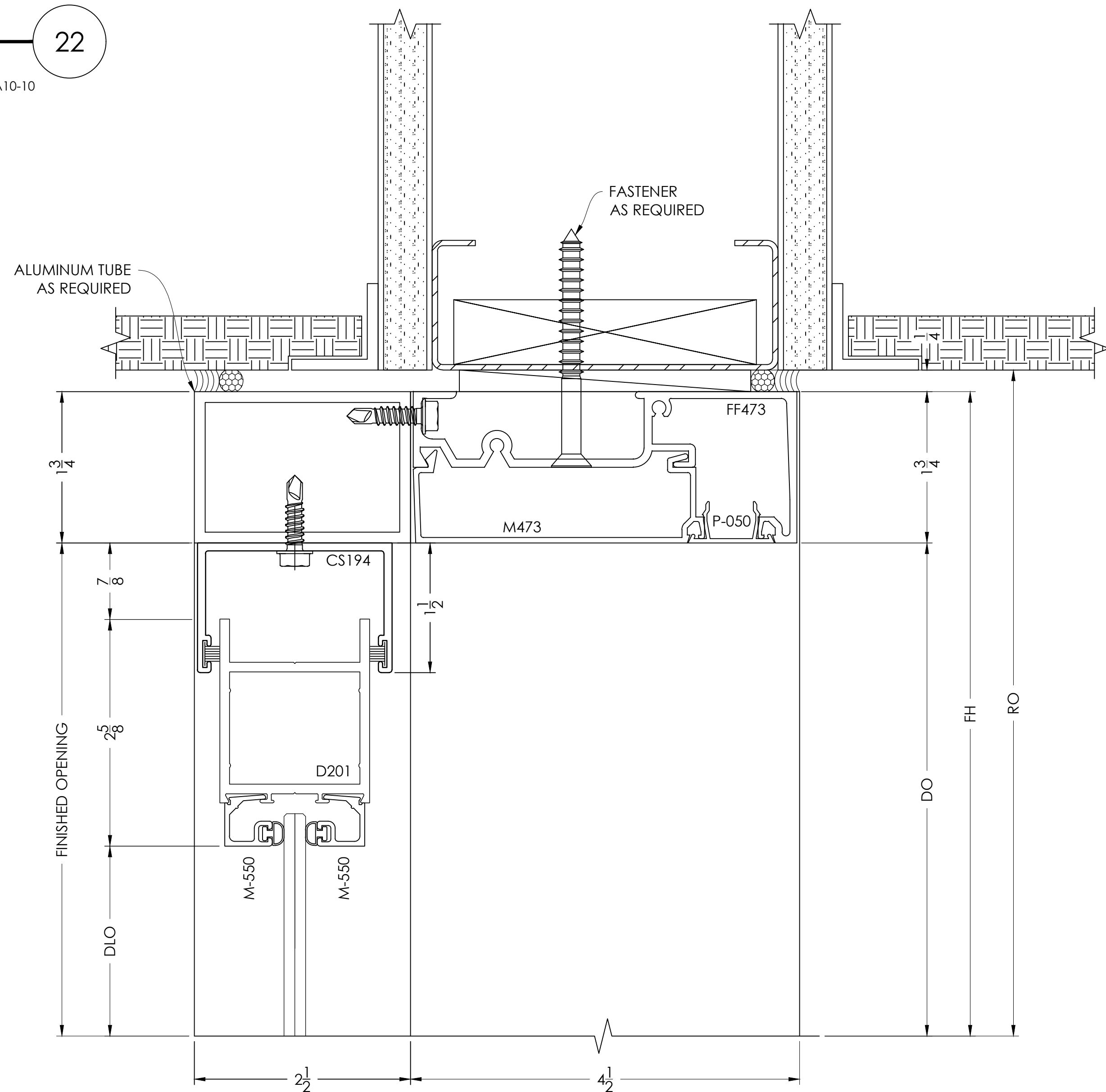
HEADER

DETAIL

SCALE= FULL

ARCH. REF.: 4/A10-10

22



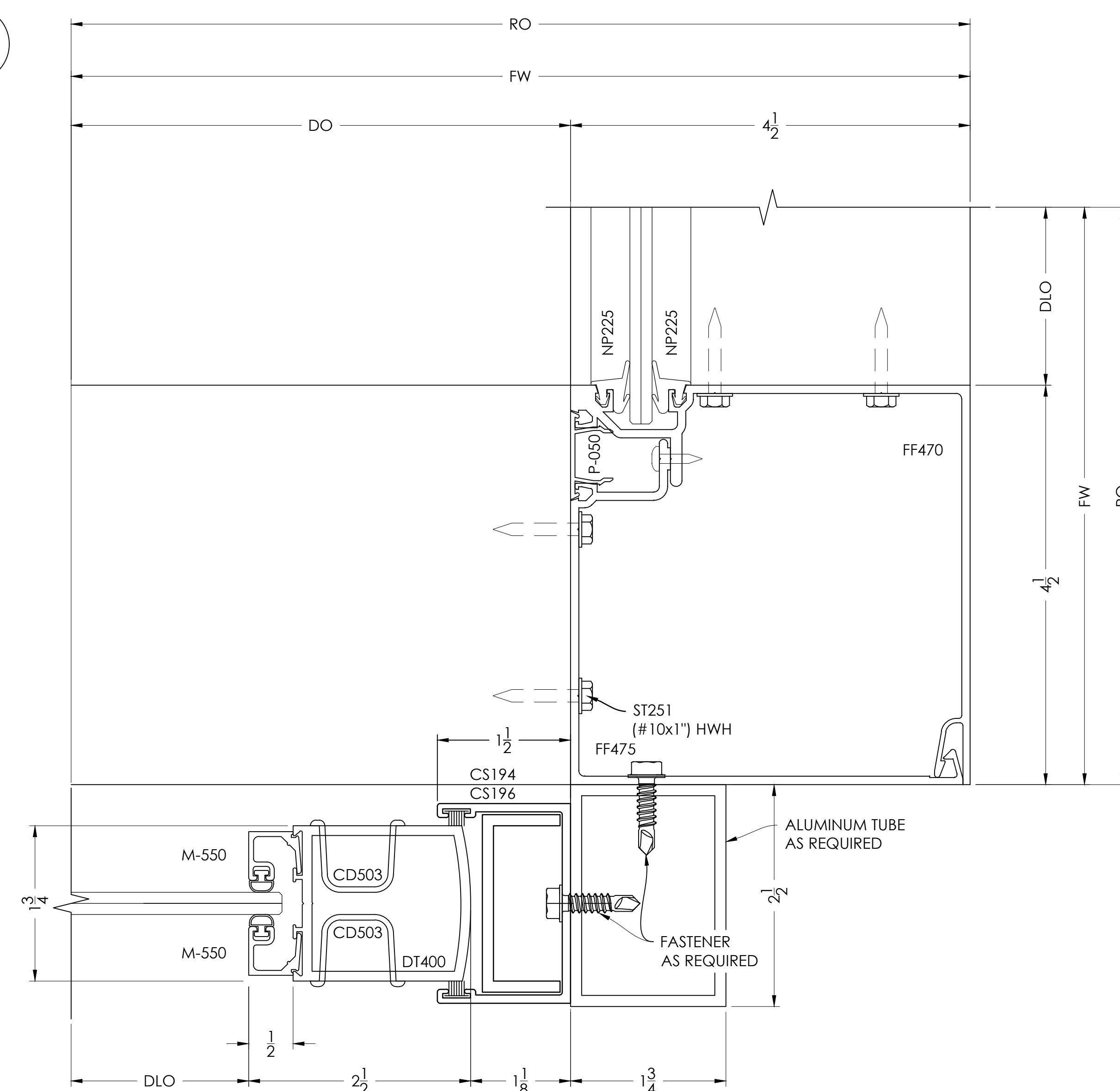
90° CORNER

DETAIL

SCALE= FULL

ARCH. REF.: NONE

25



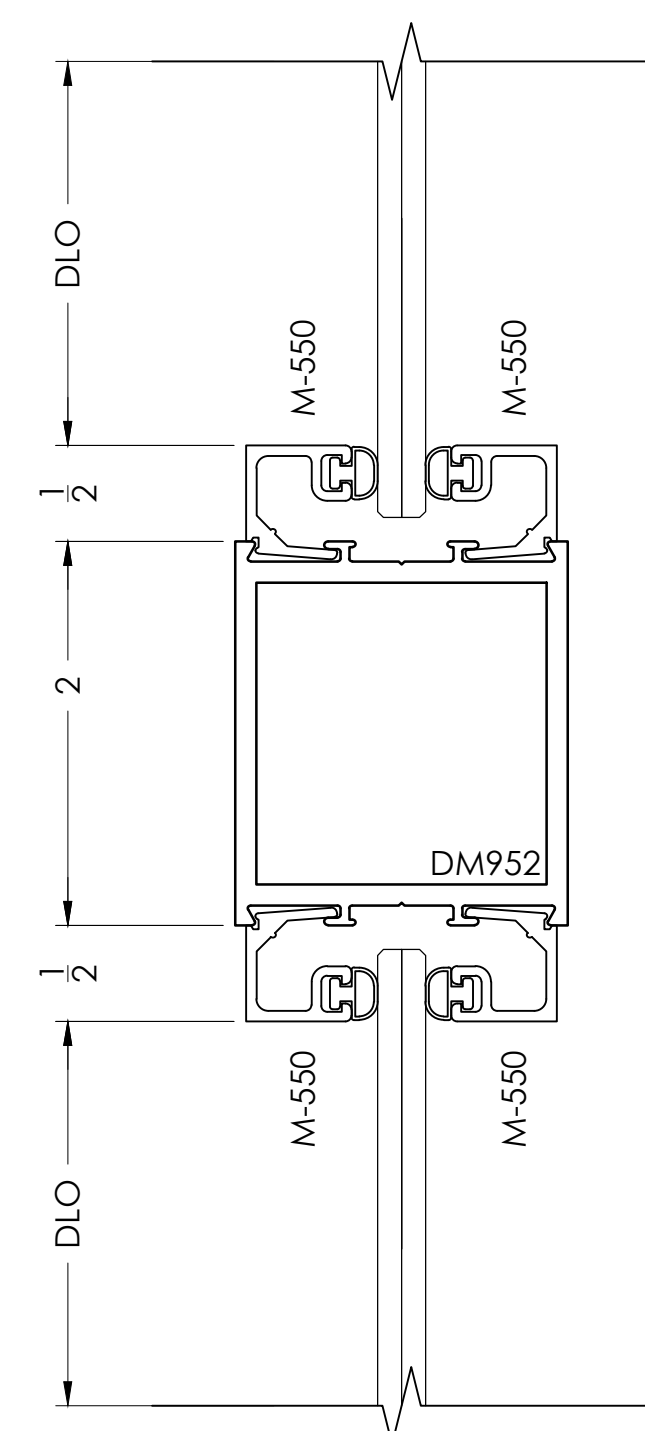
MID RAIL

DETAIL

SCALE= FULL

ARCH. REF.: NONE

23



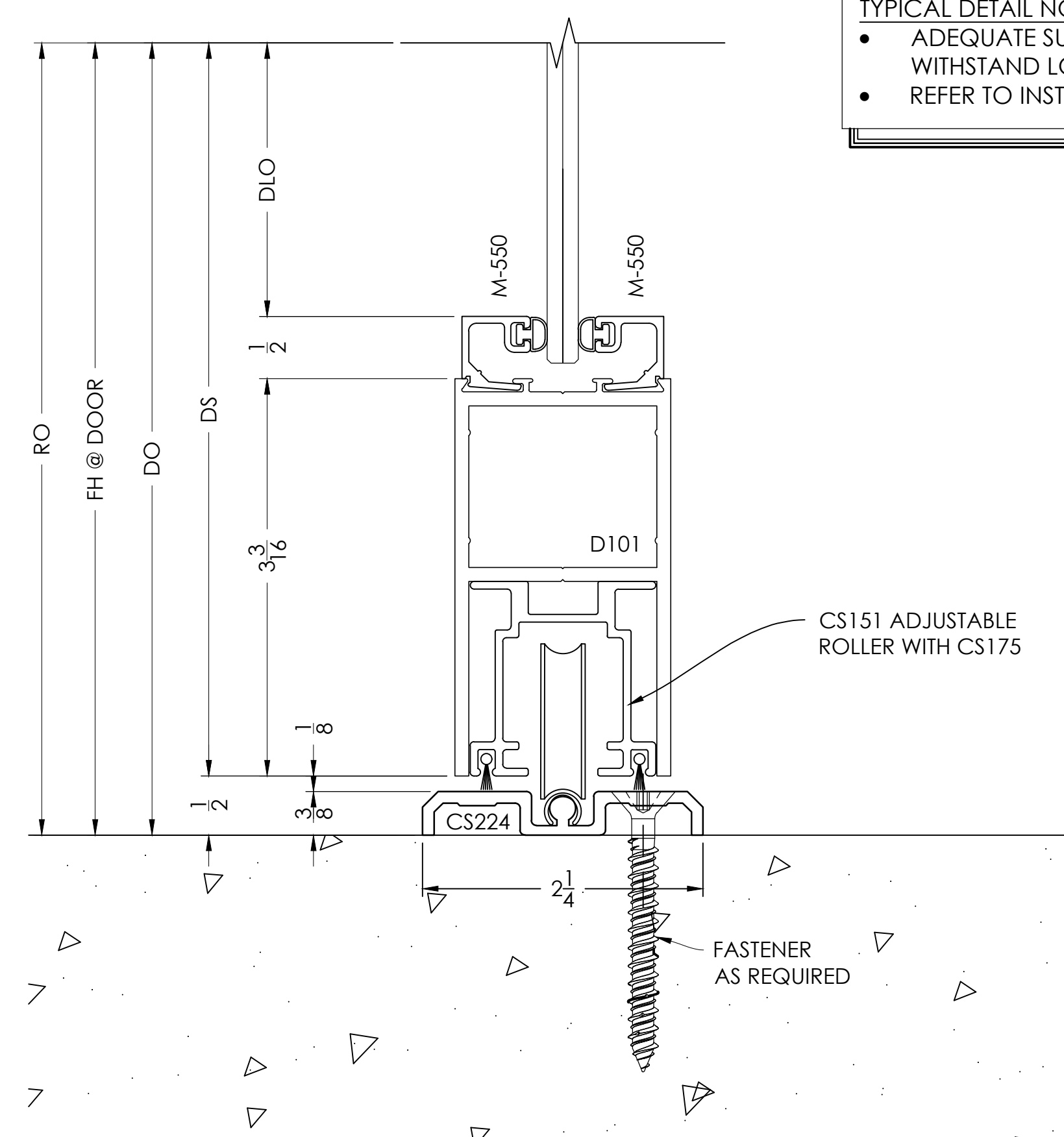
BOTTOM RAIL

DETAIL

SCALE= FULL

ARCH. REF.: NONE

24



TYPICAL DETAIL NOTES:
 • ADEQUATE SUPPORT MUST BE PROVIDED TO WITHSTAND LOADS IMPOSED BY WINDOW SYSTEM
 • REFER TO INSTALLATION MANUAL FOR ADD'L INFO



BY	DATE	REVISION NO.	PRINTS ISSUED FOR
B.G.	12/22/2021	REVISION #1	1ST APPROVAL
B.G.	01/19/2022	REVISION #2	SHOP USE

PROJECT NAME/LOCATION
 DALLAS COLLEGE
 CEDAR VALLEY CAMPUS - ONE STOP SHOP
 3030 N DALLAS AVE - LANCASTER, TX 75134

SCALE: 1:1
 SHEET NO. 406

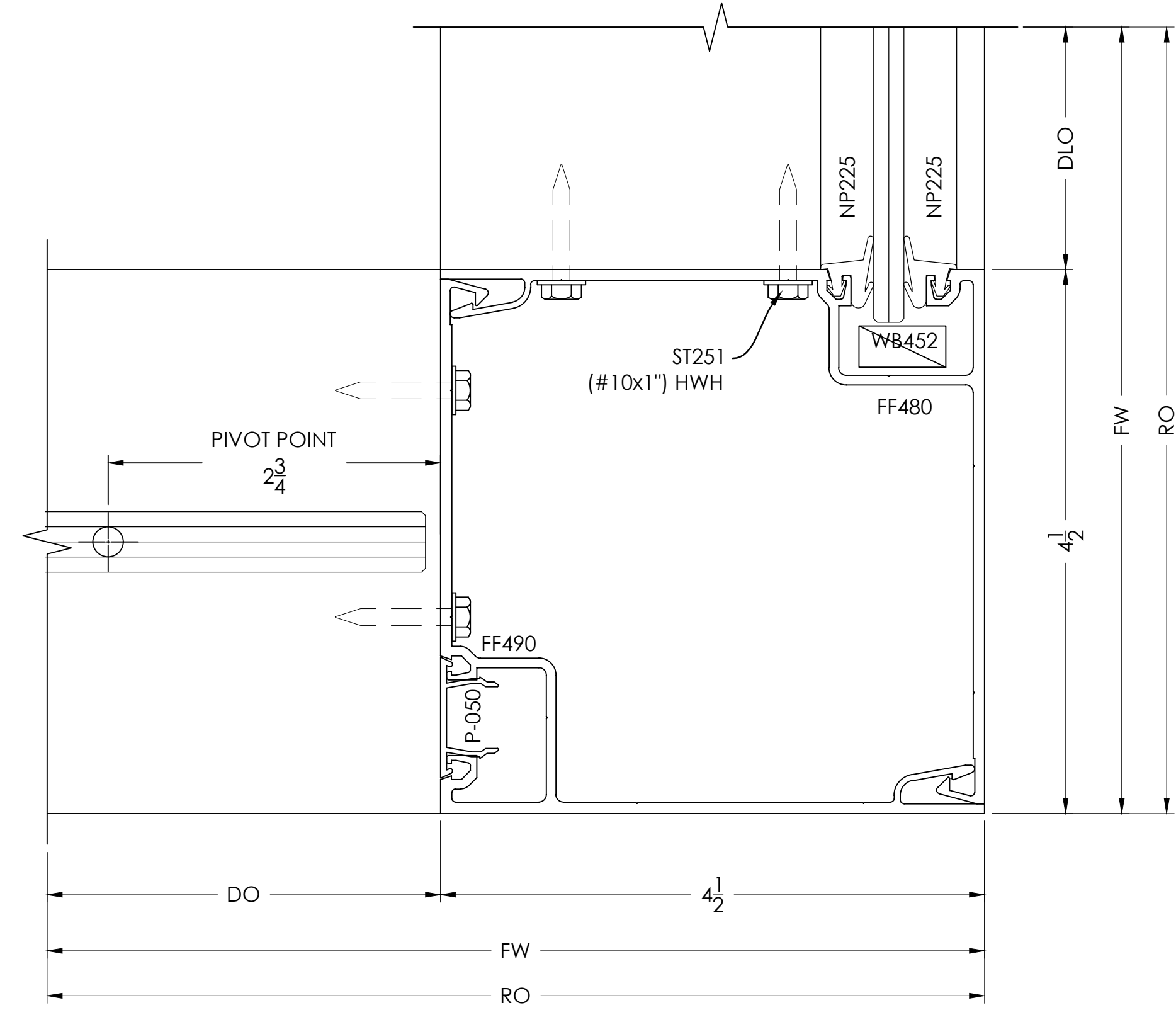
90° CORNER

DETAIL

26

SCALE= FULL

ARCH. REF.: NONE



90° CORNER

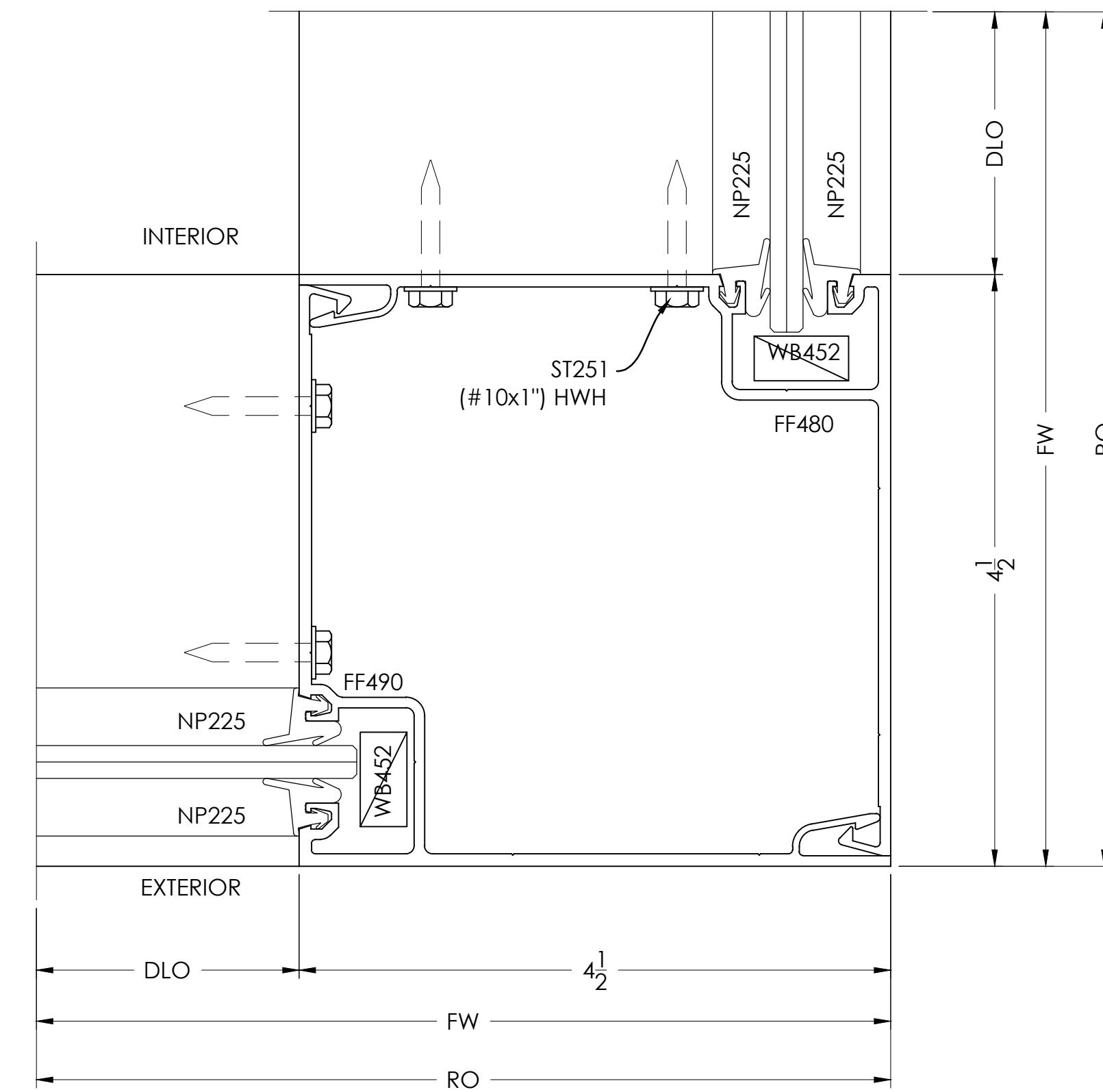
DETAIL

27

SCALE= FULL

ARCH. REF.: NONE

TYPICAL DETAIL NOTES:
 • ADEQUATE SUPPORT MUST BE PROVIDED TO WITHSTAND LOADS IMPOSED BY WINDOW SYSTEM
 • REFER TO INSTALLATION MANUAL FOR ADD'L INFO



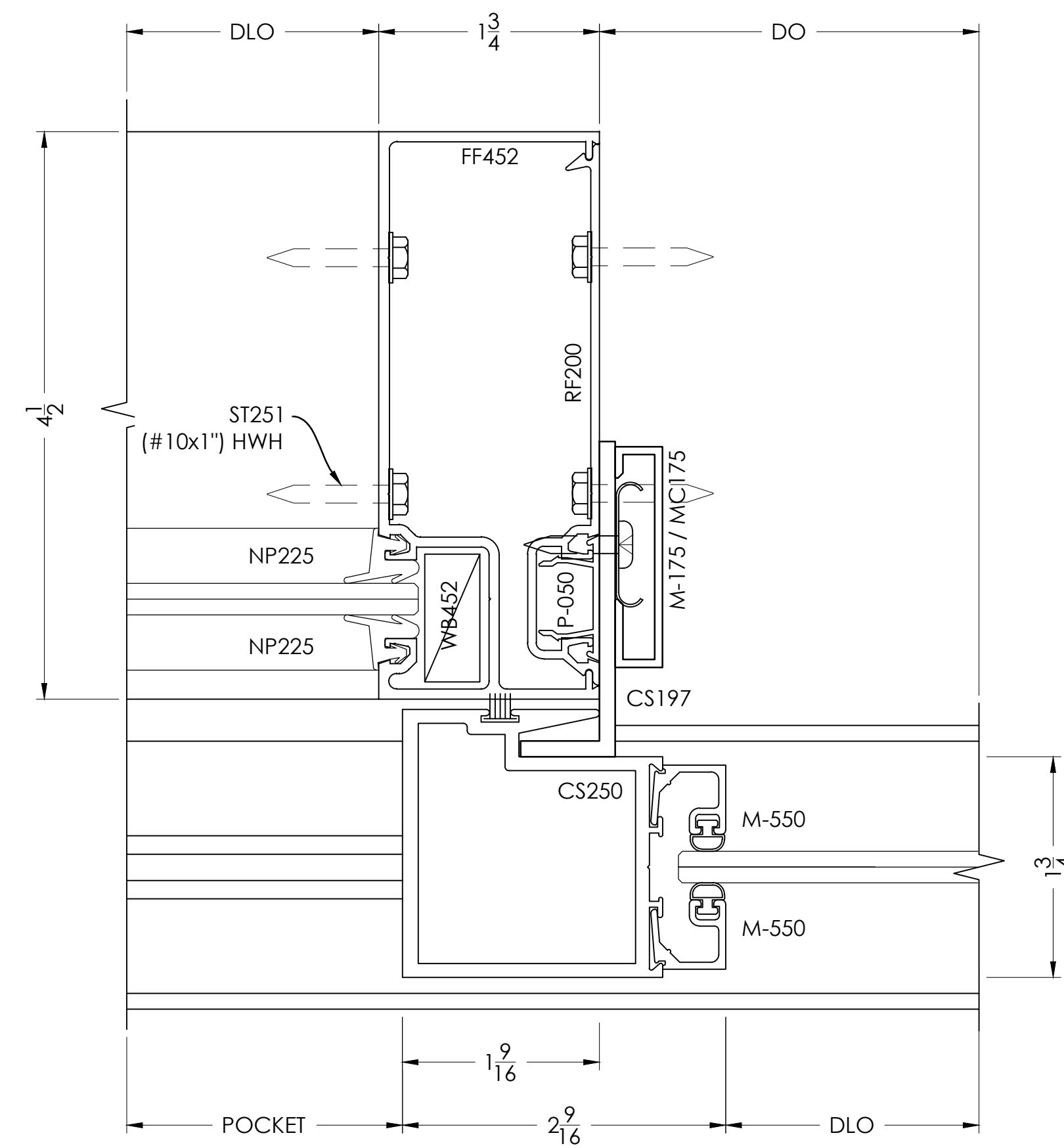
INTERMEDIATE VERTICAL

DETAIL

28

SCALE= FULL

ARCH. REF.: NONE



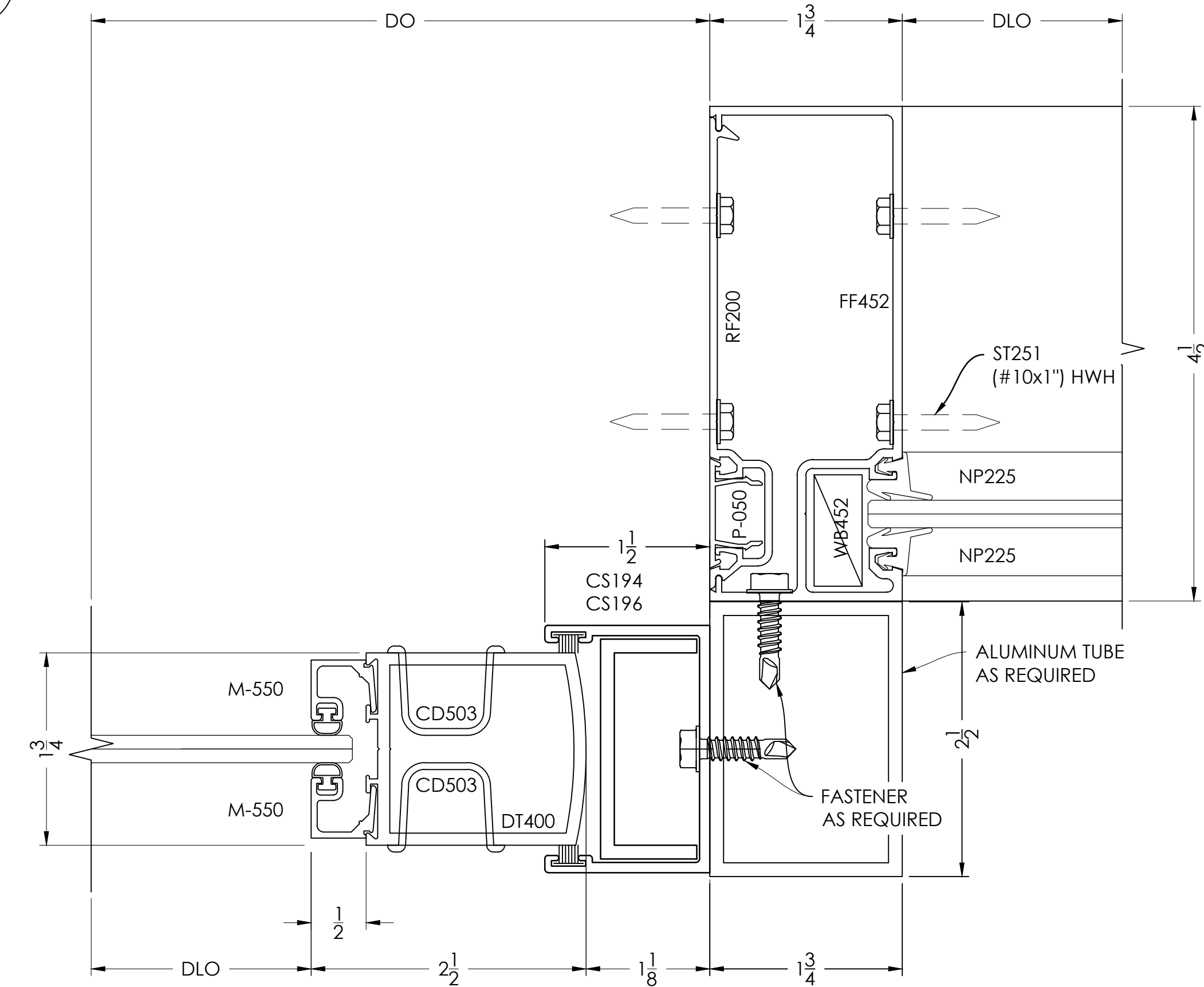
INTERMEDIATE VERTICAL

DETAIL

29

SCALE= FULL

ARCH. REF.: NONE



VISION DRAFTING, INC.
 TEL: (475) 456-8723
 RGRAMHAM@VISIONDRAFTING.NET
 WWW.VISIONDRAFTING.NET

DATE	BY	REVISION NO.	DATE	BY
11/30/2021	B.G.	REVISION #1	12/22/2021	B.G.
01/26/2022	B.G.	REVISION #2	01/19/2022	B.G.

PRINTS ISSUED FOR:
 1ST APPROVAL
 SHOP USE

ARCHITECT/LOCATION

DALLAS COLLEGE
 CEDAR VALLEY CAMPUS - ONE STOP SHOP
 3030 N DALLAS AVE - LANCASTER, TX 75134

SCALE:

1:1

SHEET NO.

407

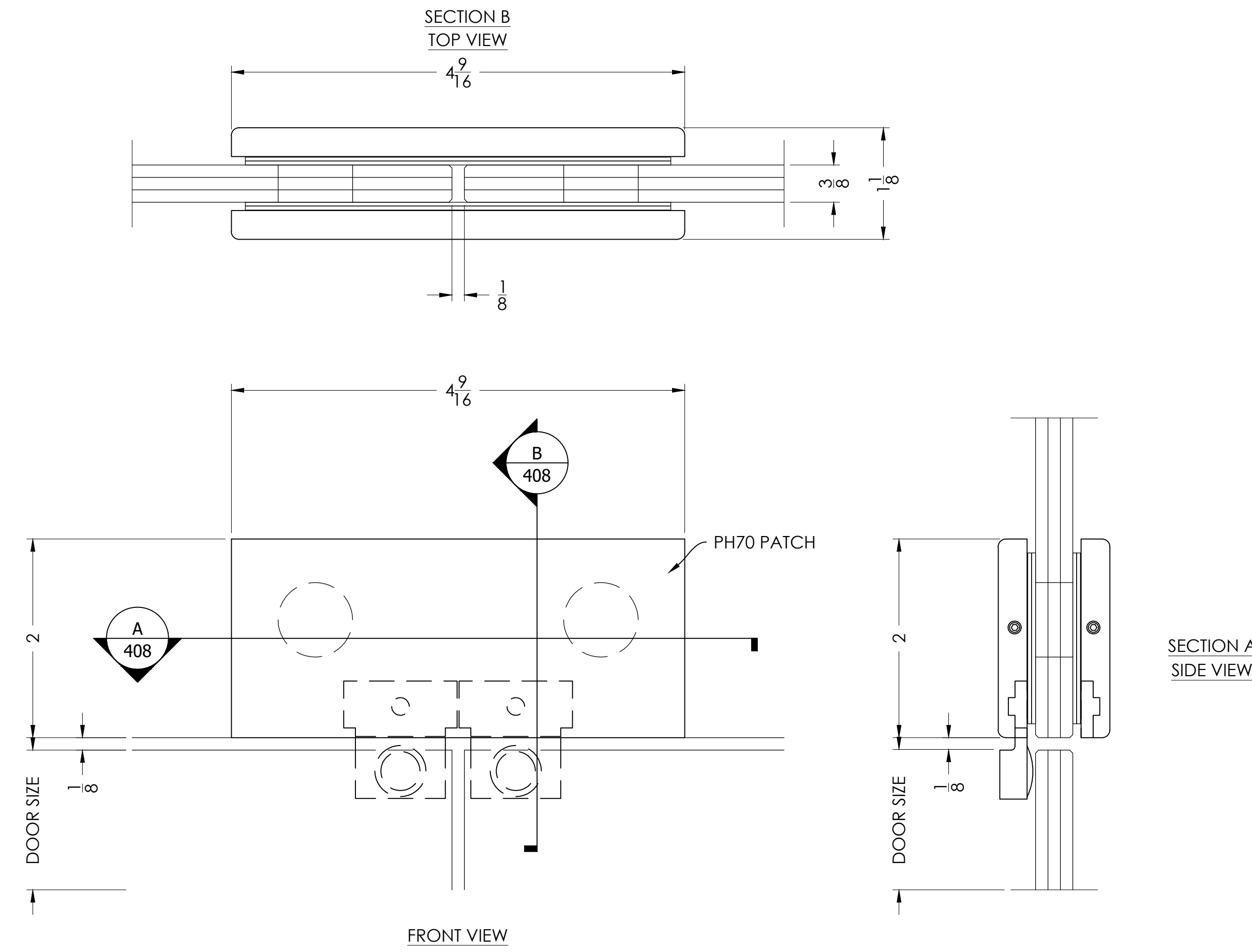
TRANSOM MOUNTED
PATCH, DOOR STOP

DETAIL

30

SCALE= FULL

ARCH. REF.: NONE



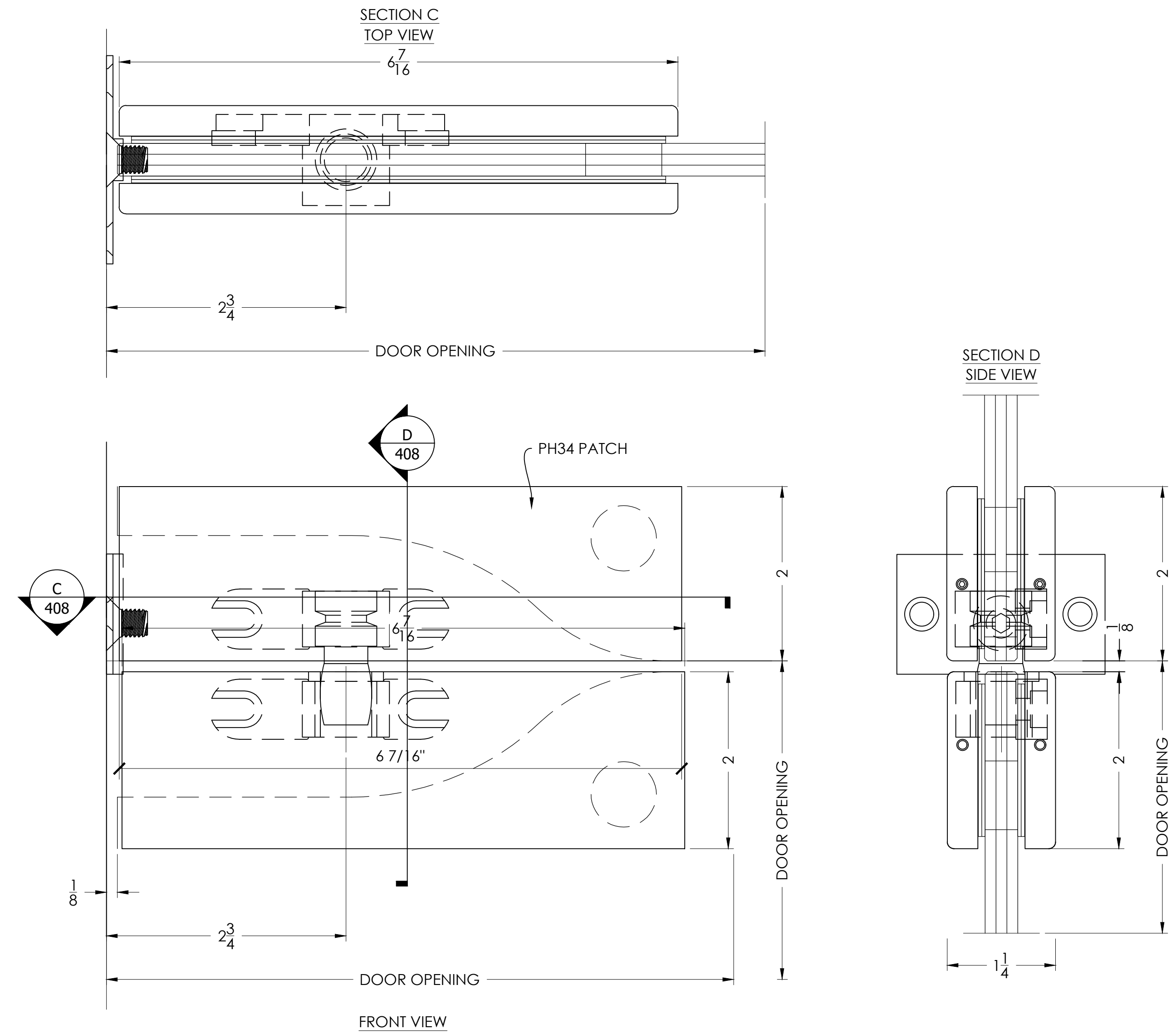
WALL MOUNTED PATCH,
PIVOT

DETAIL

32

SCALE= FULL

ARCH. REF.: NONE



TYPICAL DETAIL NOTES:
 • ADEQUATE SUPPORT MUST BE PROVIDED TO WITHSTAND LOADS IMPOSED BY WINDOW SYSTEM
 • REFER TO INSTALLATION MANUAL FOR ADD'L INFO

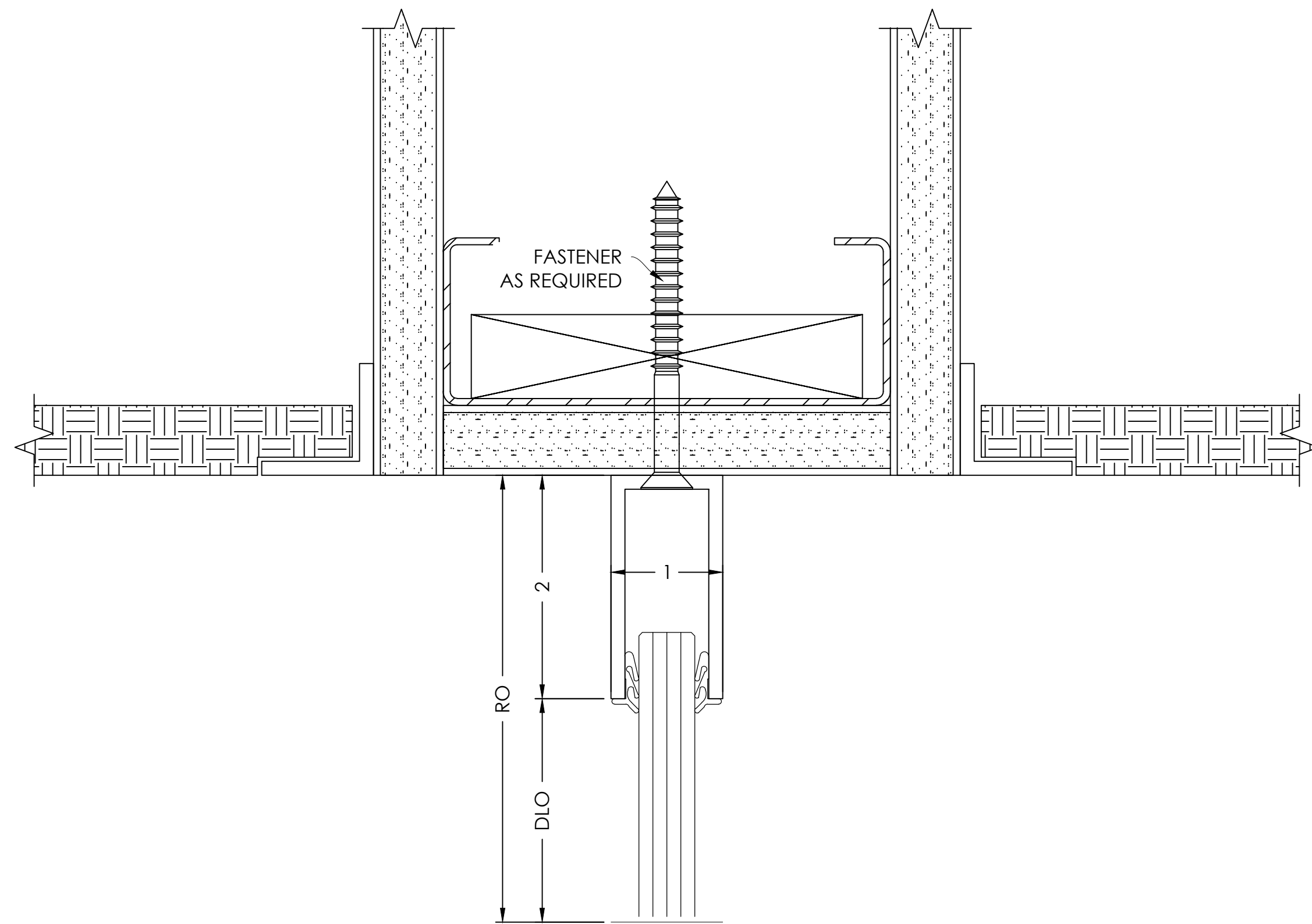
TOP U-CHANNEL

DETAIL

31

SCALE= FULL

ARCH. REF.: 4/A10-10



TEL: (475) 456-8723
 R.GRAHAM@VISIONDRAFTING.NET
 WWW.VISIONDRAFTING.NET

BY	DATE	REVISION NO.	PRINTED FOR
B.G.	12/22/2021	REVISION #1	1ST APPROVAL
B.G.	01/19/2022	REVISION #2	SHOP USE

ARCHITECT/LOCATION

PROJECT NAME/LOCATION
 DALLAS COLLEGE
 CEDAR VALLEY CAMPUS - ONE STOP SHOP
 3030 N DALLAS AVE - LANCASTER, TX 75134

SCALE: 1:1

SHEET NO. 408