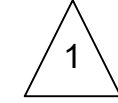
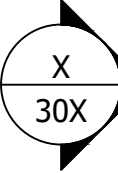
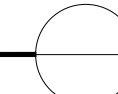





PIRELLI TIRES

100 GALLERIA PKWY, SUITE 1510
ATLANTA, GA 30339

GENERAL NOTES	ALL GLASS SYSTEM(S) USED	GLAZING SCHEDULE	SHEET SUMMARY	ABBREVIATIONS / SYMBOLS
<p>1. ALL DIMENSIONS REQUIRED FOR FABRICATION OF WINDOW MATERIALS SHALL BE FIELD VERIFIED OR RELEASED BY THE GENERAL CONTRACTOR PRIOR TO FABRICATION.</p> <p>2. ERECTION AND GLAZING PROCEDURES ARE TO BE IN ACCORDANCE WITH PROCEDURES IN THE INSTALLATION MANUAL.</p>	<p>"P" STYLE $\frac{1}{2}$" GLASS DOORS WITH 4" TAPERED RAILS</p> <p>MUTO PREMIUM XL 150 DORMOTION SLIDING GLASS DOORS</p> <p>FIXED GLASS PANELS SET IN 1" X 1" BOTTOM U-CHANNEL AND 1" X 1 $\frac{3}{4}$" TOP U-CHANNEL (AS REQUIRED, REFERENCE DETAILS)</p>	<p>G1 = $\frac{1}{2}$" CLEAR TEMPERED GLASS WITH POLISHED EDGES</p>	<p>101 COVER 102 DOOR & HARDWARE SCHEDULE 201 KEY PLAN 301-302 ELEVATIONS 401-408 DETAILS</p> <p>TOTAL (13) SHEETS</p>	<p>CL = CENTER LINE CW = CHANNEL WIDTH DLO = DAY LIGHT OPENING DO = DOOR OPENING DS = DOOR SIZE FG = FIXED GLASS FH = FRAME HEIGHT FW = FRAME WIDTH GW = GLASS WIDTH GC = GENERAL CONTRACTOR NB = NOT BY NTS = NOT TO SCALE REF DIM = REFERENCE DIMENSION RO = ROUGH OPENING V.I.F. = VERIFY IN THE FIELD</p>
ADDITIONAL NOTES	FINISH	APPROVAL AREA		
<p>ARCHITECTURAL DRAWINGS: REVISION 1 - 12/07/2021 - ADDENDUM #1</p>	<p>CLEAR ANODIZED</p>	<p>ARCHITECT</p>	<p>GENERAL CONTRACTOR</p>	<p> = REVISION</p> <p> = ELEVATION</p> <p> = DETAIL CUT</p> <p> = BENCH MARK</p> <p> = SECTION CALLOUT</p> <p> = GLASS TYPE</p>
		<p>GLAZING CONTRACTOR</p>		



BY	DATE	REVISION NO.	DATE	BY	REVISION NO.	DATE	BY	REVISION NO.
			01/19/2022					

PRINTS ISSUED FOR:
1ST APPROVAL

PROJECT NAME/LOCATION
ARCHITECT/LOCATION
PIRELLI TIRES
100 GALLERIA PKWY, SUITE 1510
ATLANTA, GA 30339

SCALE: N.T.S.
SHEET NO. 101

TYPICAL ELEVATION NOTES:
 • PLEASE VERIFY ALL DIMENSIONS PRIOR TO FABRICATION AND INSTALLATION.
 • PLEASE VERIFY ALL GLAZING MARKS

HARDWARE SET A FOR SLIDING GLASS DOORS 1509, 1510, 1511, 1512, 1514 & 1515			
QUANTITY	HARDWARE TYPE	FINISH	MANUFACTURER / PART NUMBER
1	SLIDING DOOR SYSTEM	CLEAR ANODIZED	DORMA / V102.16818
1	BACK TO BACK PULL SET	BLACK "SUEDE"	ROCKWOOD / 24" BTB RM3301

1 HARDWARE SCHEDULE
SCALE: N.T.S.

HARDWARE SET D FOR SLIDING GLASS DOOR 1508			
QUANTITY	HARDWARE TYPE	FINISH	MANUFACTURER / PART NUMBER
1	SLIDING DOOR SYSTEM	CLEAR ANODIZED	DORMA / V102.16818
1	BACK TO BACK PULL SET	BLACK "SUEDE"	ROCKWOOD / 24" BTB RM3301
1	BOTTOM PATCH LOCK	CLEAR ANODIZED	DORMA / V102.20010
1	DUST PROOF STRIKE	CLEAR ANODIZED	DORMA / V102.05572

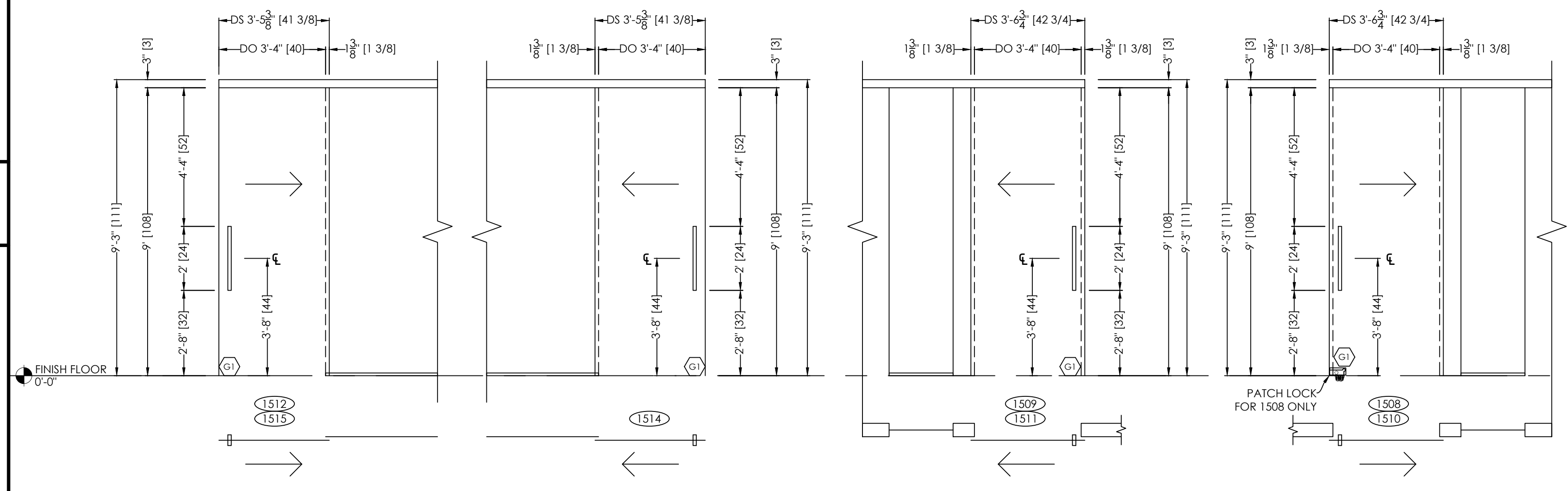
2 HARDWARE SCHEDULE
SCALE: N.T.S.

HARDWARE SET B FOR SINGLE "P" STYLE 1/2" GLASS ENTRANCES 1501, 1502 & 1516			
QUANTITY	HARDWARE TYPE	FINISH	MANUFACTURER / PART NUMBER
1	DOOR HEADER	CLEAR ANODIZED	DORMA / V102.06848
1	HEADER MOUNT DOOR STOP	CLEAR ANODIZED	DORMA / V102.08071
1	4" TOP RAIL, TAPERED	CLEAR ANODIZED	DORMA / V102.00324
1	4" NON-LOCKING BOTTOM RAIL, TAPERED	CLEAR ANODIZED	DORMA / V102.01776
1	ADJUSTABLE BOTTOM PIVOT	-	DORMA / STANDARD
1	OVERHEAD CONCEALED CLOSER	-	DORMA / RTS88

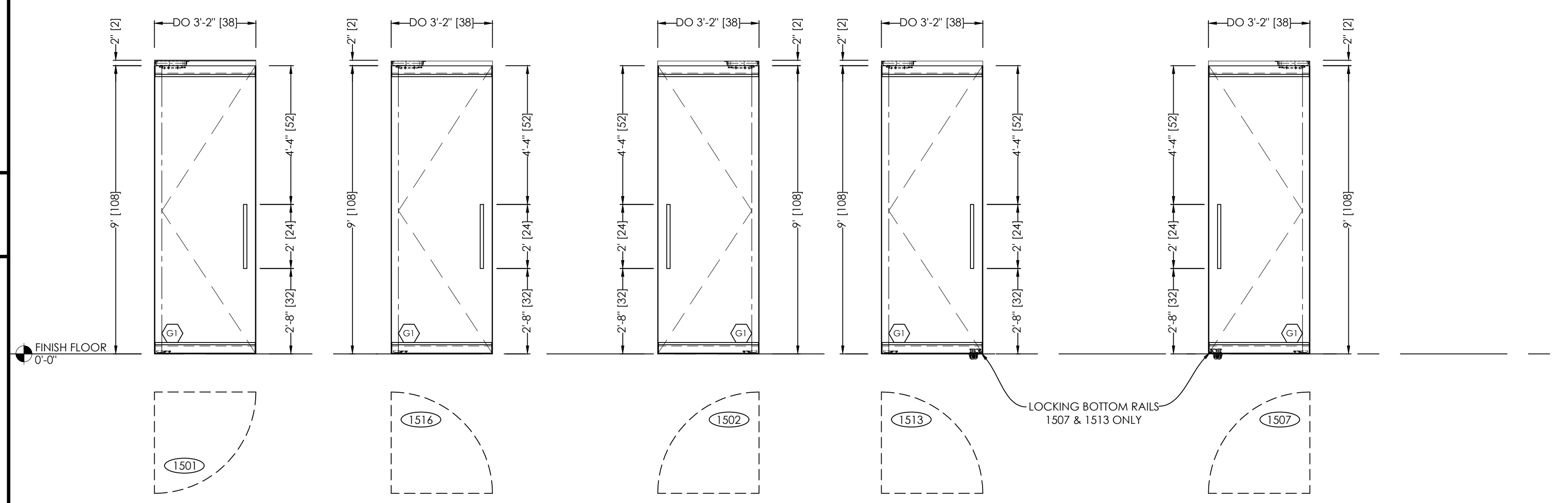
4 HARDWARE SCHEDULE
SCALE: N.T.S.

HARDWARE SET E FOR SINGLE "P" STYLE 1/2" GLASS ENTRANCES 1507 & 1513			
QUANTITY	HARDWARE TYPE	FINISH	MANUFACTURER / PART NUMBER
1	DOOR HEADER	CLEAR ANODIZED	DORMA / V102.06848
1	HEADER MOUNT DOOR STOP	CLEAR ANODIZED	DORMA / V102.08071
1	4" TOP RAIL, TAPERED	CLEAR ANODIZED	DORMA / V102.00324
1	4" LOCKING BOTTOM RAIL, TAPERED	CLEAR ANODIZED	DORMA / V102.02546
1	ADJUSTABLE BOTTOM PIVOT	-	DORMA / STANDARD
1	OVERHEAD CONCEALED CLOSER	-	DORMA / RTS88
1	DUST PROOF STRIKE	CLEAR ANODIZED	DORMA / V102.05572

5 HARDWARE SCHEDULE
SCALE: N.T.S.



3 DOOR ELEVATIONS
SCALE: 3/8" = 1'-0"



6 DOOR ELEVATIONS
SCALE: 3/8" = 1'-0"



TEL: (470) 406-8783
 BGRAMHAM@VISIONDRAFTING.NET
 WWW.VISIONDRAFTING.NET

BY	DATE	REVISION NO.
	01/19/2022	B.G.

ARCHITECT/LOCATION

PROJECT NAME/LOCATION

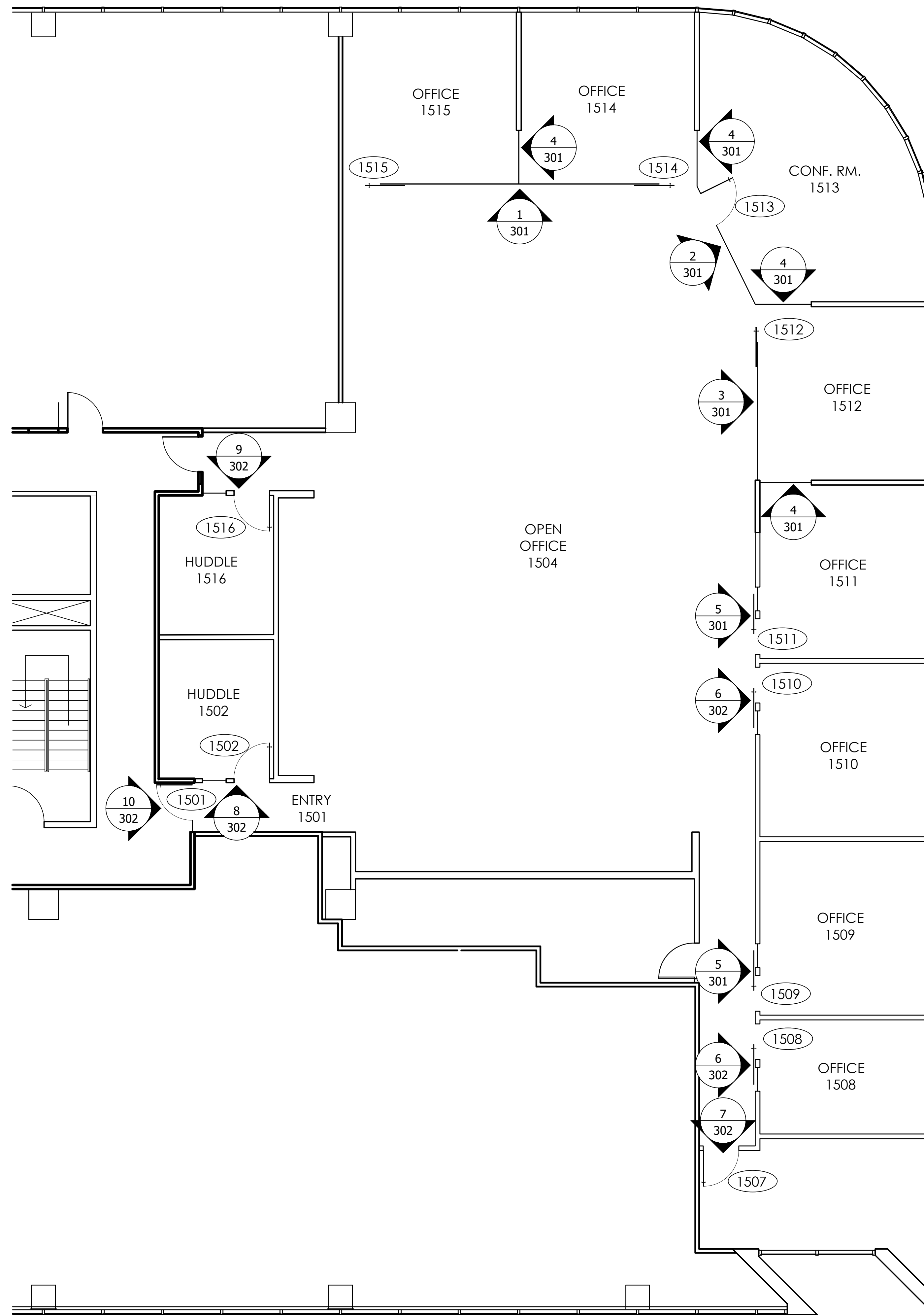
SCALE:

SHEET NO.

PIRELLI TIRES
 100 GALLERIA PKWY, SUITE 1510
 ATLANTA, GA 30339

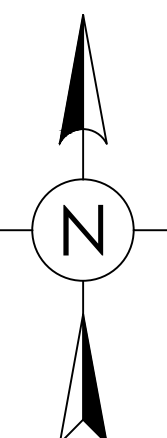
SCALE: 1/8" = 1'-0"

102



**SUITE 1510
KEY PLAN**

ARCH REF: A1.15 3/16" = 1'-0"



1

**VISION
DRAFTING,
INC.**
3034 Peachtree Industrial Blvd., Suite 200, Atlanta, GA 30329
TEL: (478) 406-8783
RGRAHAM@VISIONDRAFTING.NET
WWW.VISIONDRAFTING.NET

PRINTS ISSUED FOR	DATE	BY	REVISION NO.
1ST APPROVAL	01/19/2022	B.G.	

ARCHITECT/LOCATION

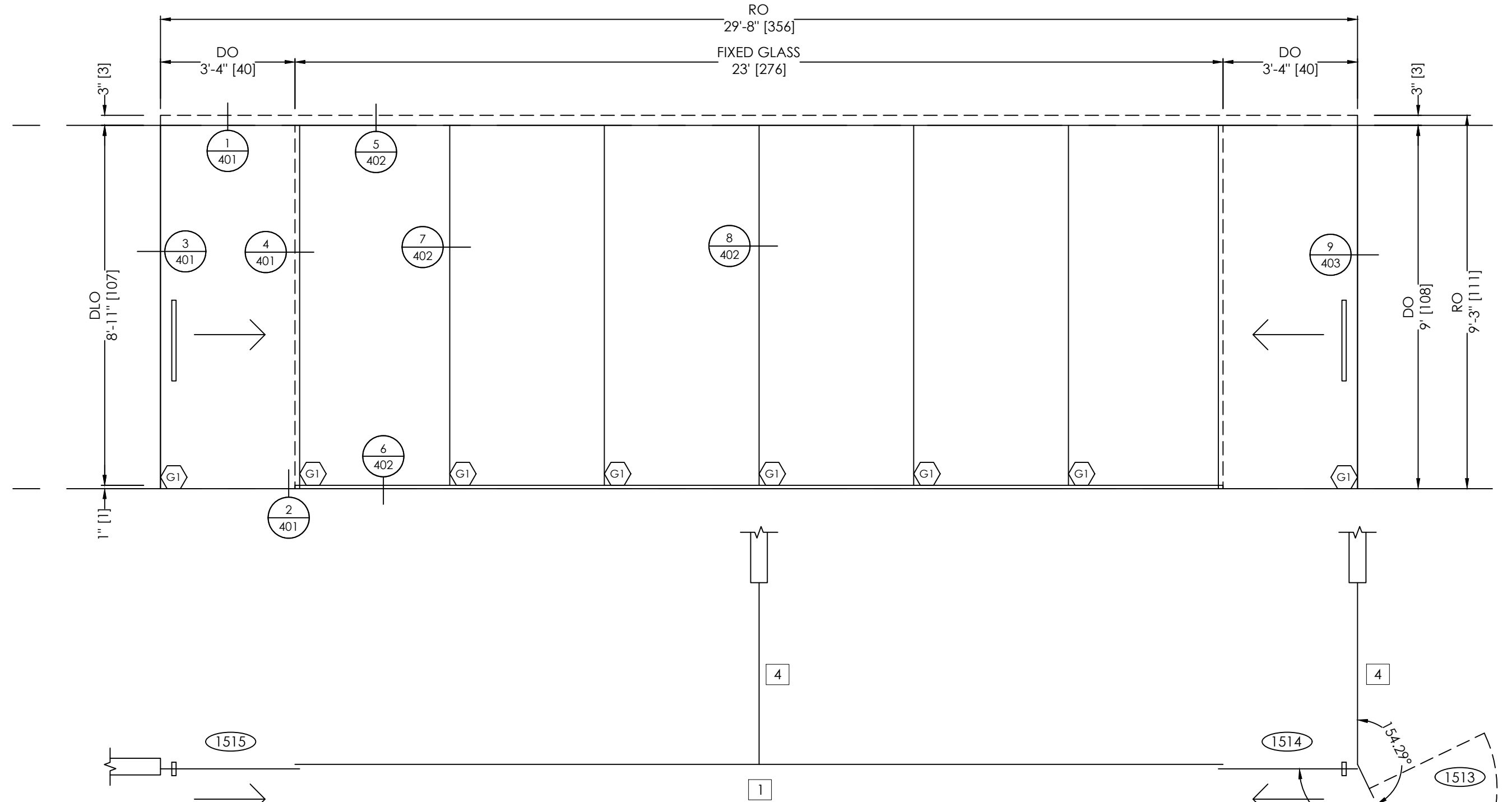
PIRELLI TIRES
100 GALLERIA PKWY, SUITE 1510
ATLANTA, GA 30339

SCALE:
3/16" = 1'-0"

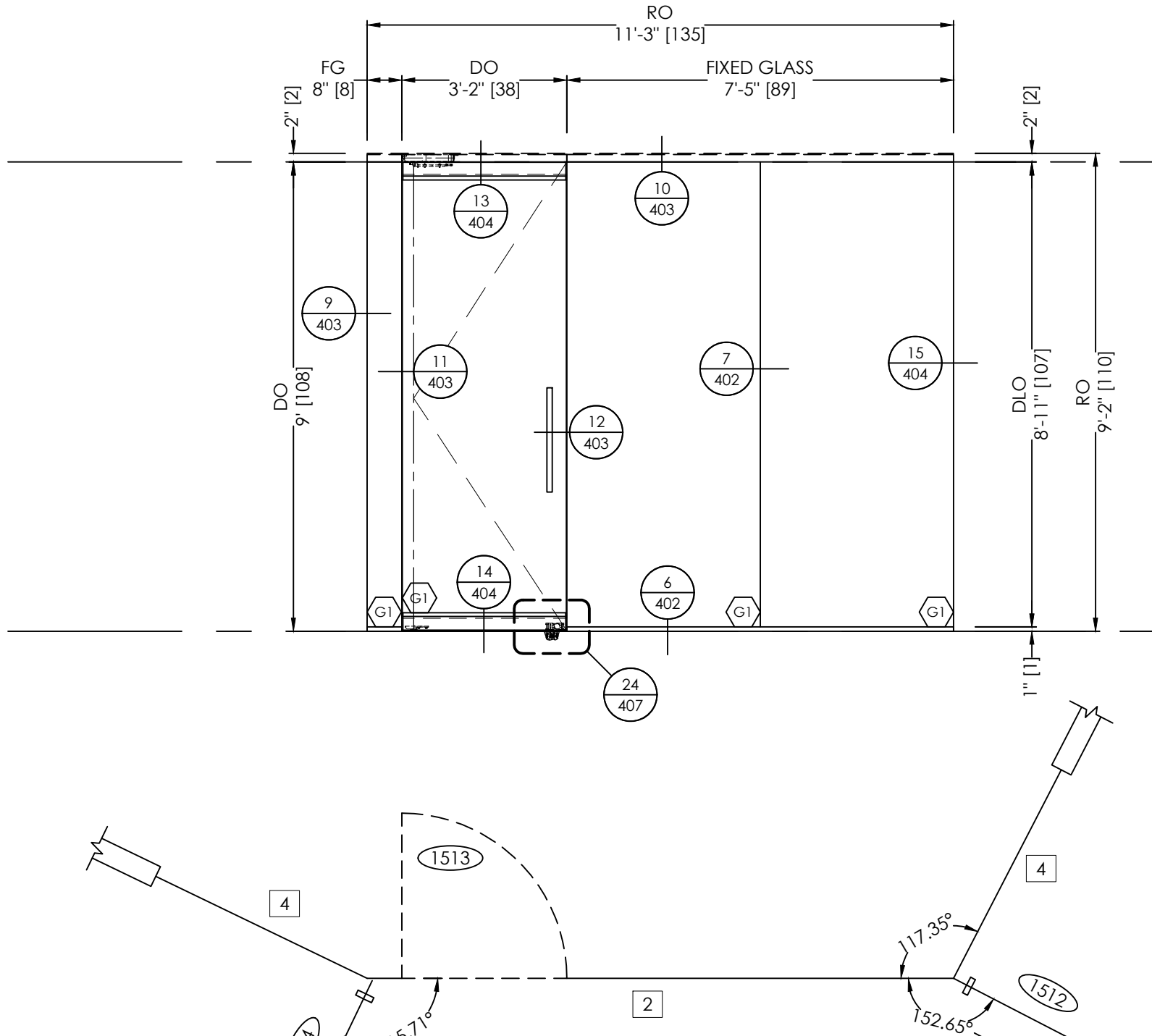
SHEET NO.
201

TYPICAL ELEVATION NOTES:

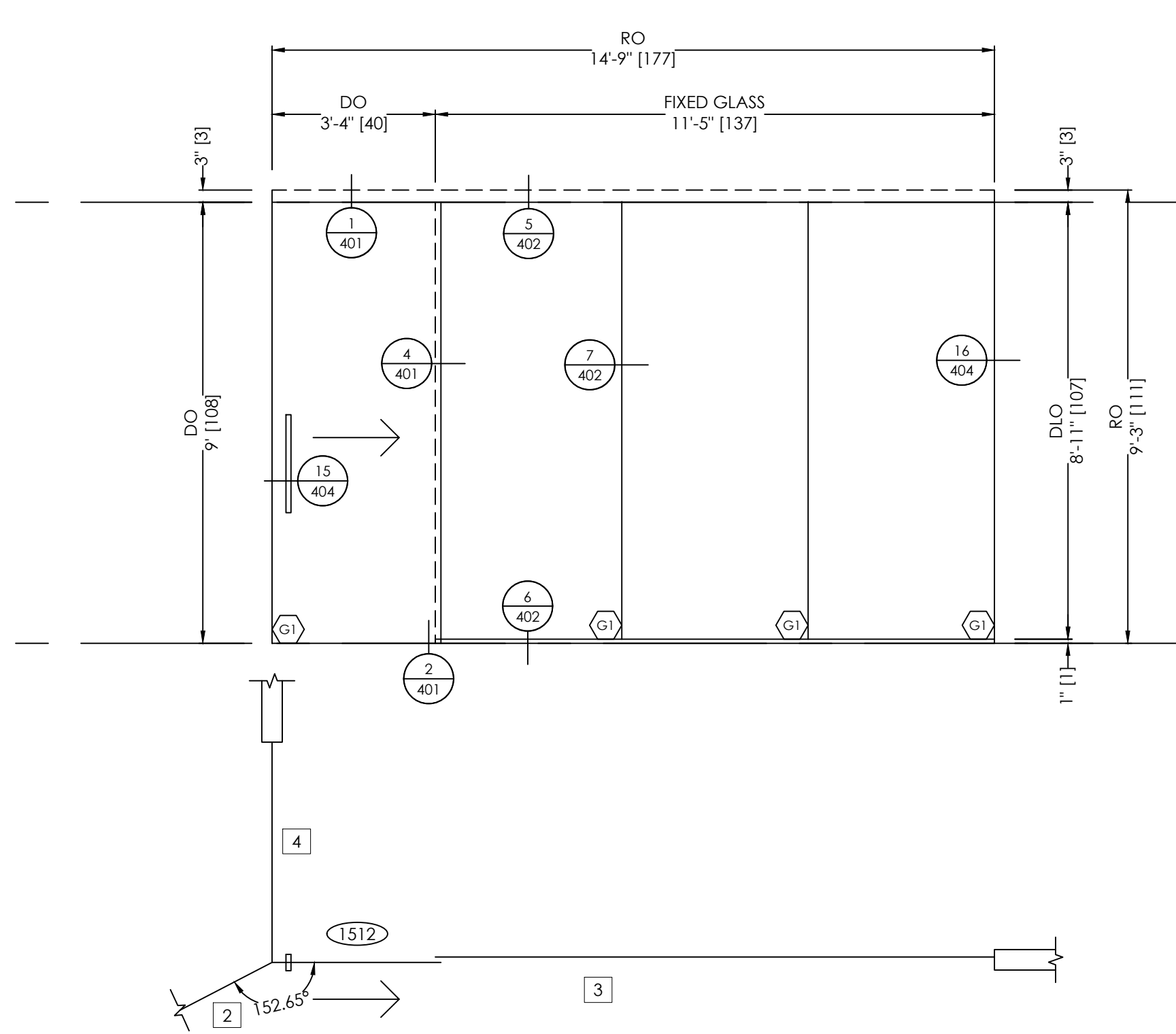
- PLEASE VERIFY ALL DIMENSIONS PRIOR TO FABRICATION AND INSTALLATION.
- PLEASE VERIFY ALL GLAZING MARKS



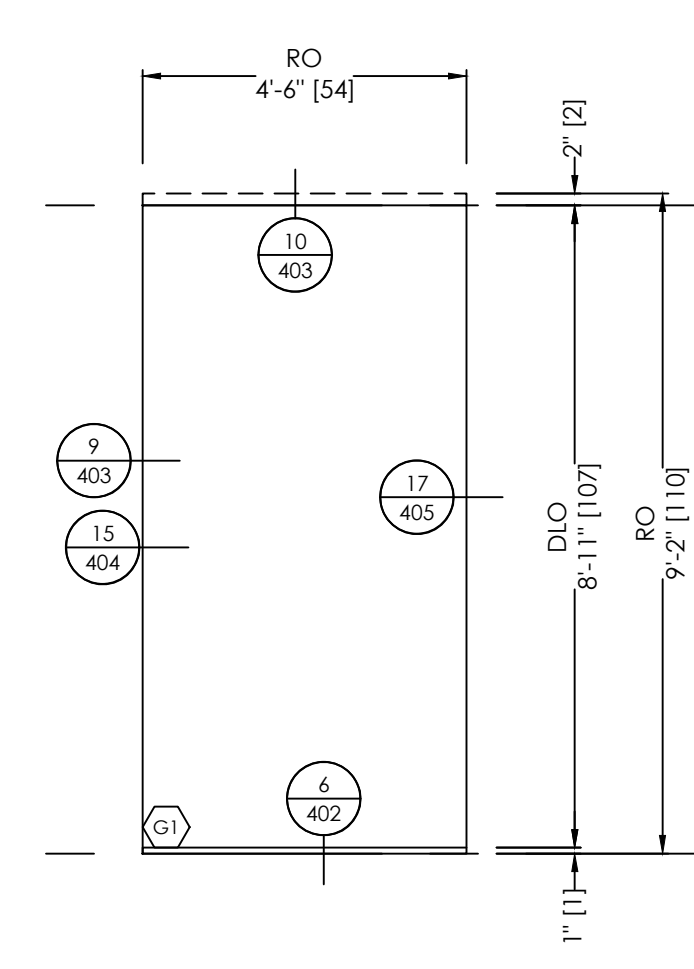
ELEVATION 1
 FINISHES: EXT: PER COVER SHEET, INT: PER COVER SHEET
 SCALE: 3/8" = 1'-0"
 QTY: 1
 SYSTEM(S): MUTO GLASS SLIDERS, FIXED GLASS
 ARCH. REF.: A1.15



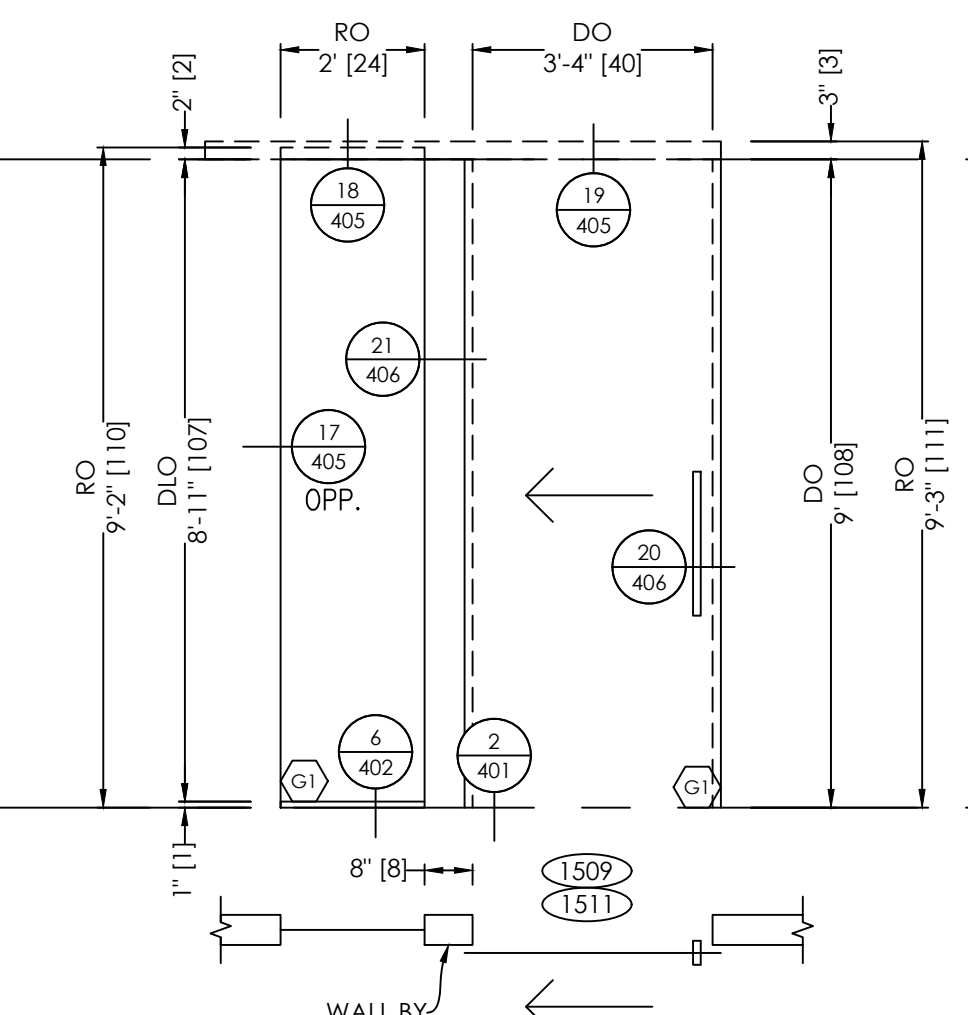
ELEVATION 2
 FINISHES: EXT: PER COVER SHEET, INT: PER COVER SHEET
 SCALE: 3/8" = 1'-0"
 QTY: 1
 SYSTEM(S): P STYLE GLASS DOOR, FIXED GLASS
 ARCH. REF.: A1.15



ELEVATION 3
 FINISHES: EXT: PER COVER SHEET, INT: PER COVER SHEET
 SCALE: 3/8" = 1'-0"
 QTY: 1
 SYSTEM(S): MUTO GLASS SLIDERS, FIXED GLASS
 ARCH. REF.: A1.15



ELEVATION 4
 FINISHES: EXT: PER COVER SHEET, INT: PER COVER SHEET
 SCALE: 3/8" = 1'-0"
 QTY: 4
 SYSTEM(S): FIXED GLASS
 ARCH. REF.: A1.15



ELEVATION 5
 FINISHES: EXT: PER COVER SHEET, INT: PER COVER SHEET
 SCALE: 3/8" = 1'-0"
 QTY: 2
 SYSTEM(S): MUTO GLASS SLIDER, FIXED GLASS
 ARCH. REF.: A1.15

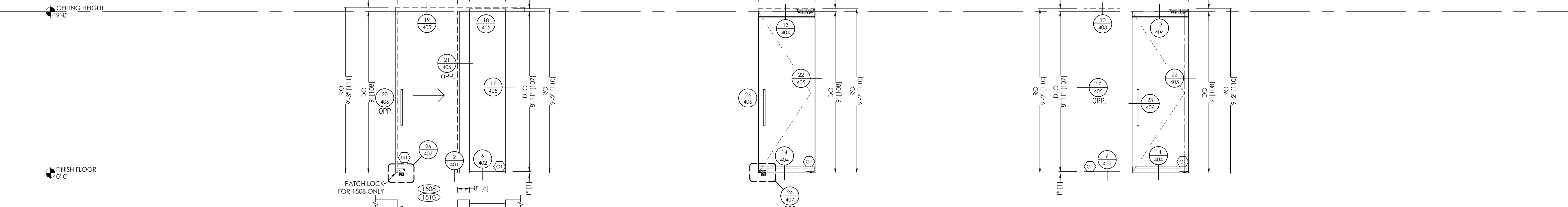


BY	DATE	REVISION NO.	BY	DATE	REVISION NO.	PRINTS ISSUED FOR
						1ST APPROVAL

PROJECT NAME/LOCATION
PIRELLI TIRES
 100 GALLERIA PKWY, SUITE 1510
 ATLANTA, GA 30339

SCALE: 3/8" = 1'-0"
 SHEET NO.
301

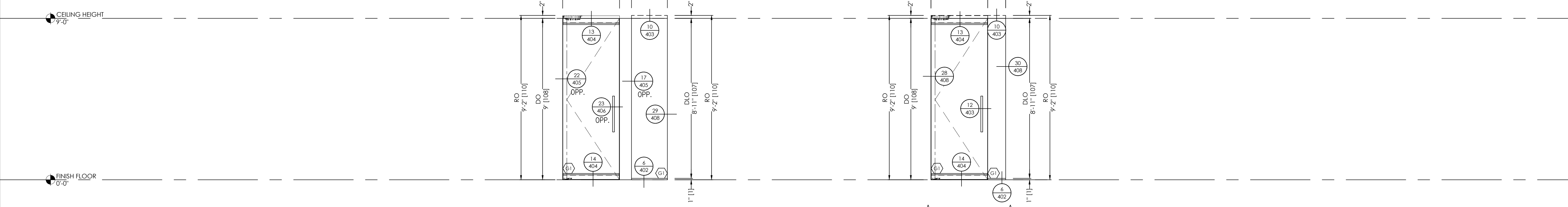
TYPICAL ELEVATION NOTES:
 • PLEASE VERIFY ALL DIMENSIONS PRIOR TO FABRICATION AND INSTALLATION.
 • PLEASE VERIFY ALL GLAZING MARKS



ELEVATION 6
 FINISHES:
 EXT: PER COVER SHEET
 INT: PER COVER SHEET
 SCALE: 3/8" = 1'-0"
 QTY: 2
 SYSTEM(S): MITO GLASS SLIDER
 FIXED GLASS
 ARCH. REF.: A1.15

ELEVATION 7
 FINISHES:
 EXT: PER COVER SHEET
 INT: PER COVER SHEET
 SCALE: 3/8" = 1'-0"
 QTY: 1
 SYSTEM(S): P STYLE GLASS DOOR
 ARCH. REF.: A1.15

ELEVATION 8
 FINISHES:
 EXT: PER COVER SHEET
 INT: PER COVER SHEET
 SCALE: 3/8" = 1'-0"
 QTY: 1
 SYSTEM(S): P STYLE GLASS DOOR
 FIXED GLASS
 ARCH. REF.: A1.15



ELEVATION 9
 FINISHES:
 EXT: PER COVER SHEET
 INT: PER COVER SHEET
 SCALE: 3/8" = 1'-0"
 QTY: 1
 SYSTEM(S): P STYLE GLASS DOOR
 FIXED GLASS
 ARCH. REF.: A1.15

ELEVATION 10
 FINISHES:
 EXT: PER COVER SHEET
 INT: PER COVER SHEET
 SCALE: 3/8" = 1'-0"
 QTY: 1
 SYSTEM(S): P STYLE GLASS DOOR
 FIXED GLASS
 ARCH. REF.: A1.15

VISION DRAFTING, INC. TEL: (478) 406-8783 RGRAHAM@VISIONDRAFTING.NET WWW.VISIONDRAFTING.NET			
BY	REVISION NO.	DATE	DATE
		01/19/2022	B.G.
PRINTS ISSUED FOR 1ST APPROVAL			
ARCHITECT/LOCATION	PIRELLI TIRES 100 GALLERIA PKWY, SUITE 1510 ATLANTA, GA 30339		
PROJECT NAME/LOCATION	SCALE: 1/8" = 1'-0"		
SHEET NO.	302		

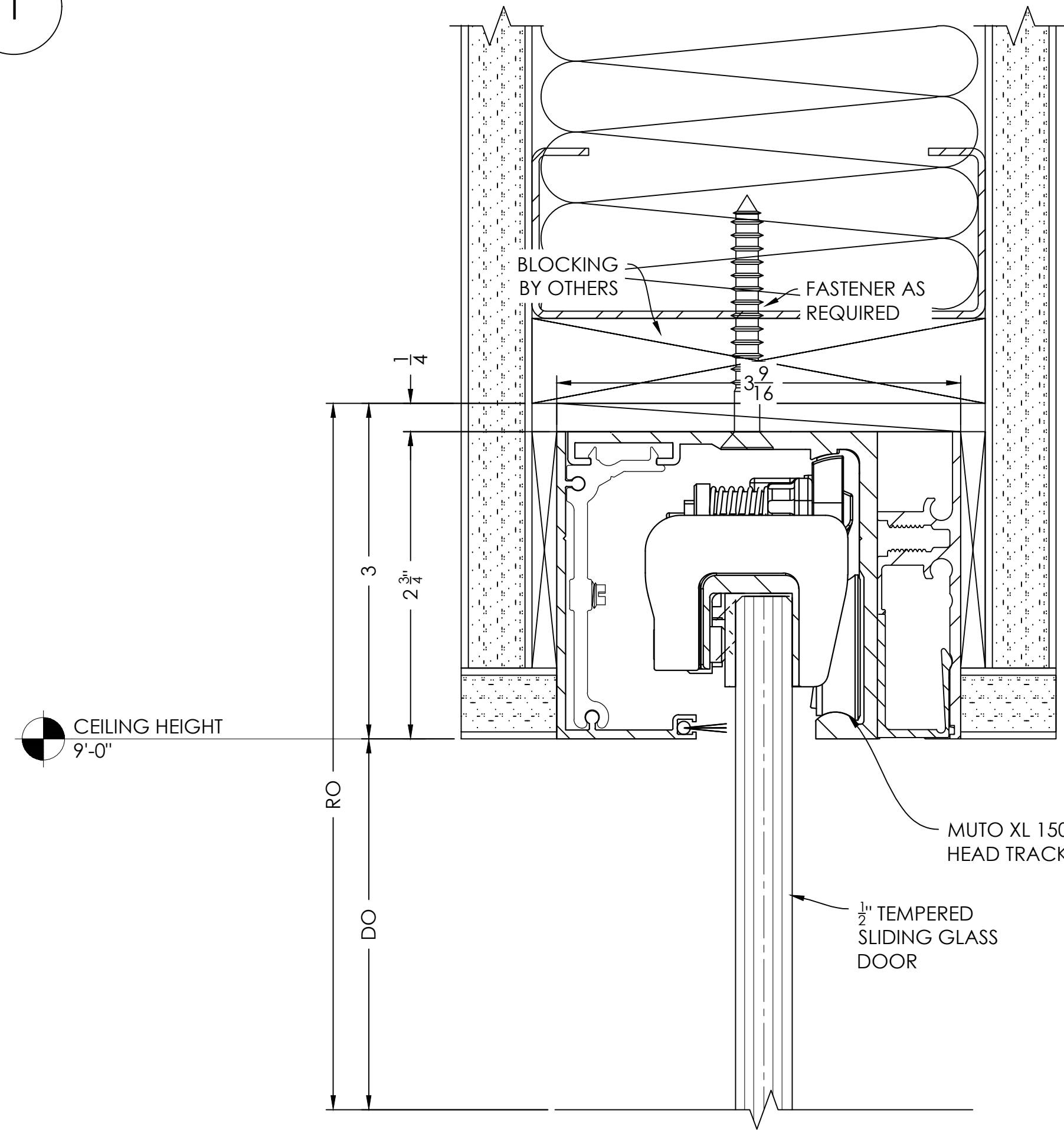
RECESSED HEAD TRACK

DETAIL

1

SCALE= FULL

ARCH. REF.: 4/A7.01



SLIDING GLASS DOOR

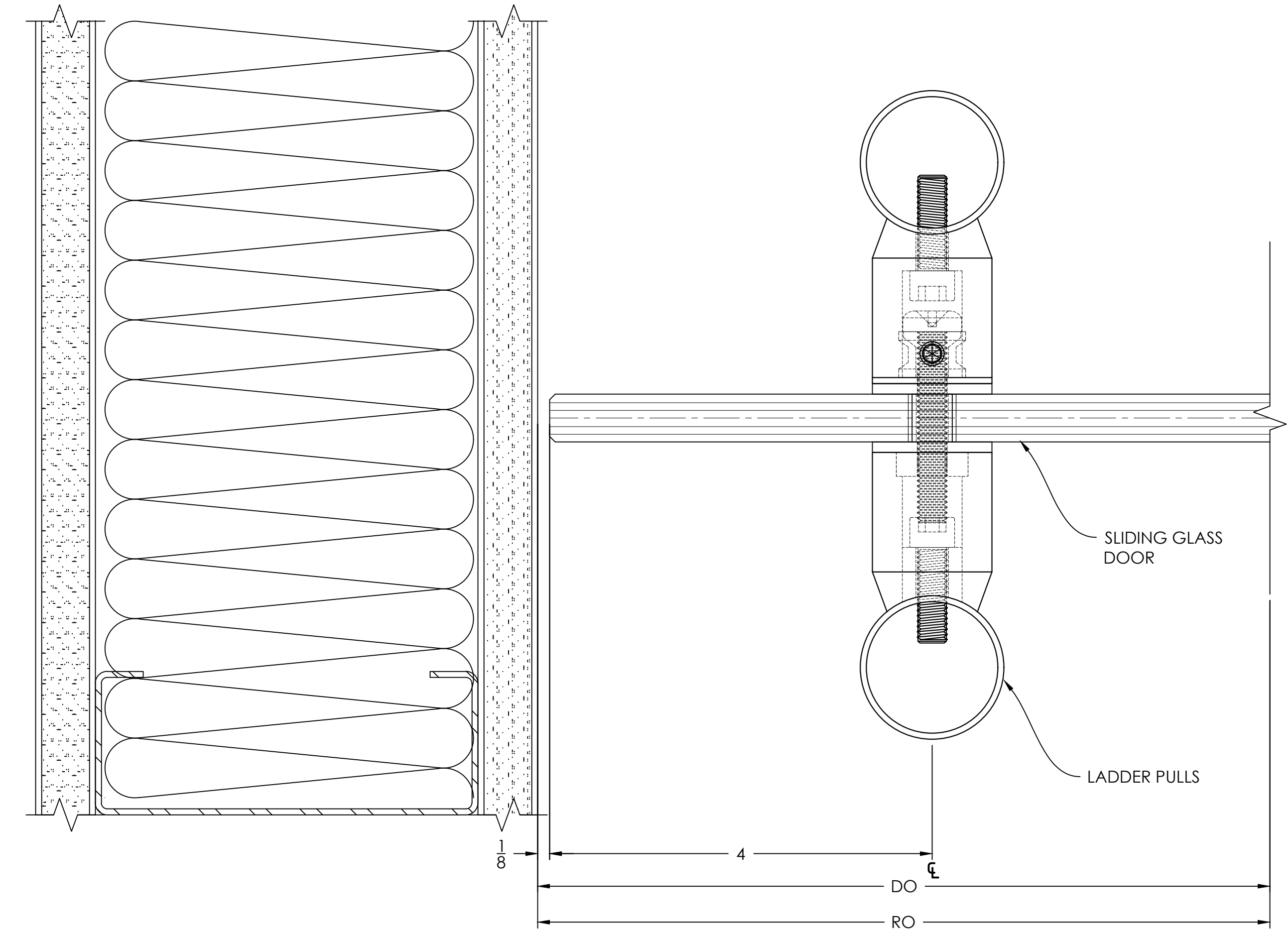
DETAIL

3

SCALE= FULL

ARCH. REF.: A1.15

TYPICAL DETAIL NOTES:
 • ADEQUATE SUPPORT MUST BE PROVIDED TO WITHSTAND LOADS IMPOSED BY WINDOW SYSTEM
 • REFER TO INSTALLATION MANUAL FOR ADD'L INFO



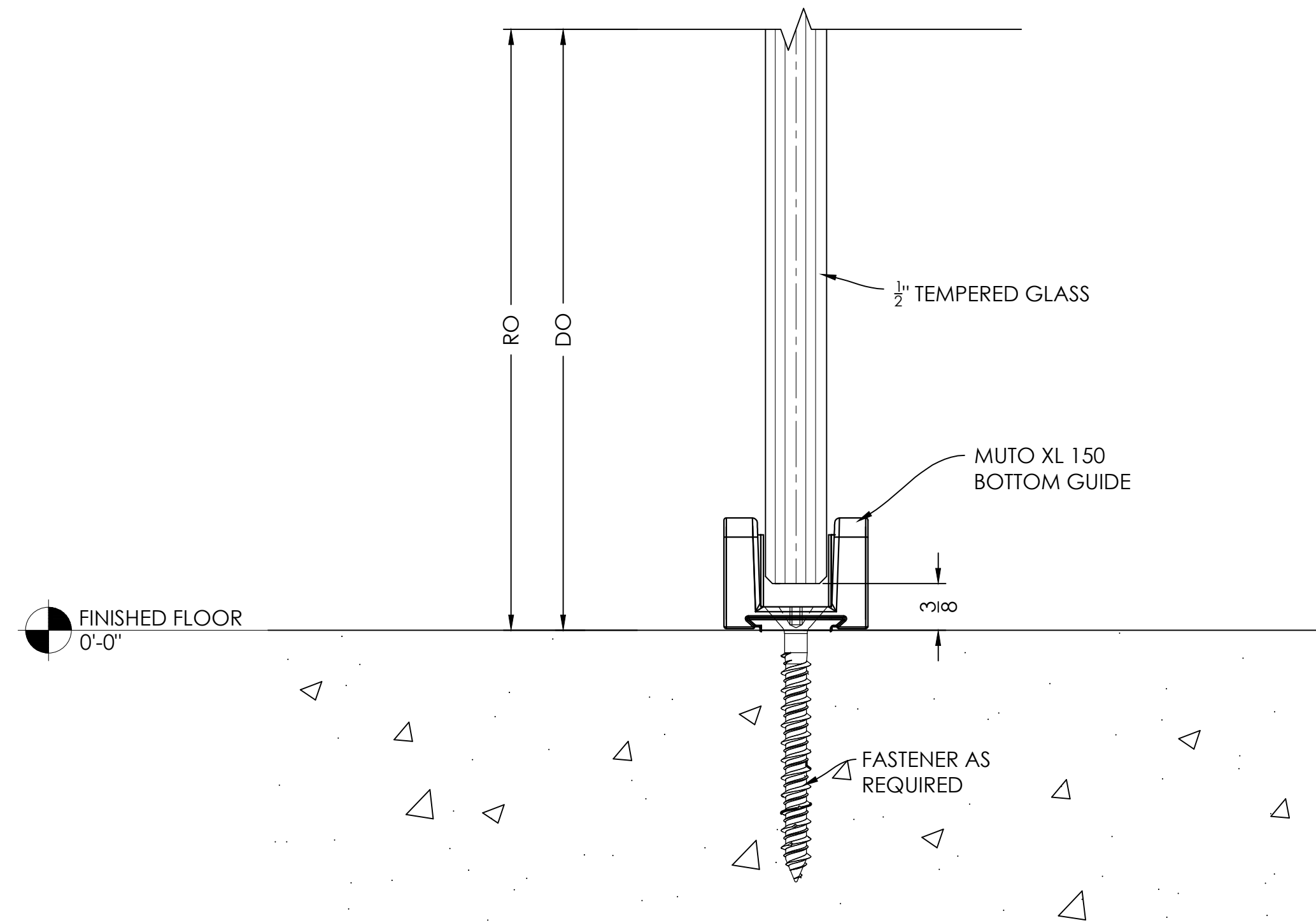
BOTTOM GUIDE @ SLIDING DOOR

DETAIL

2

SCALE= FULL

ARCH. REF.: NONE



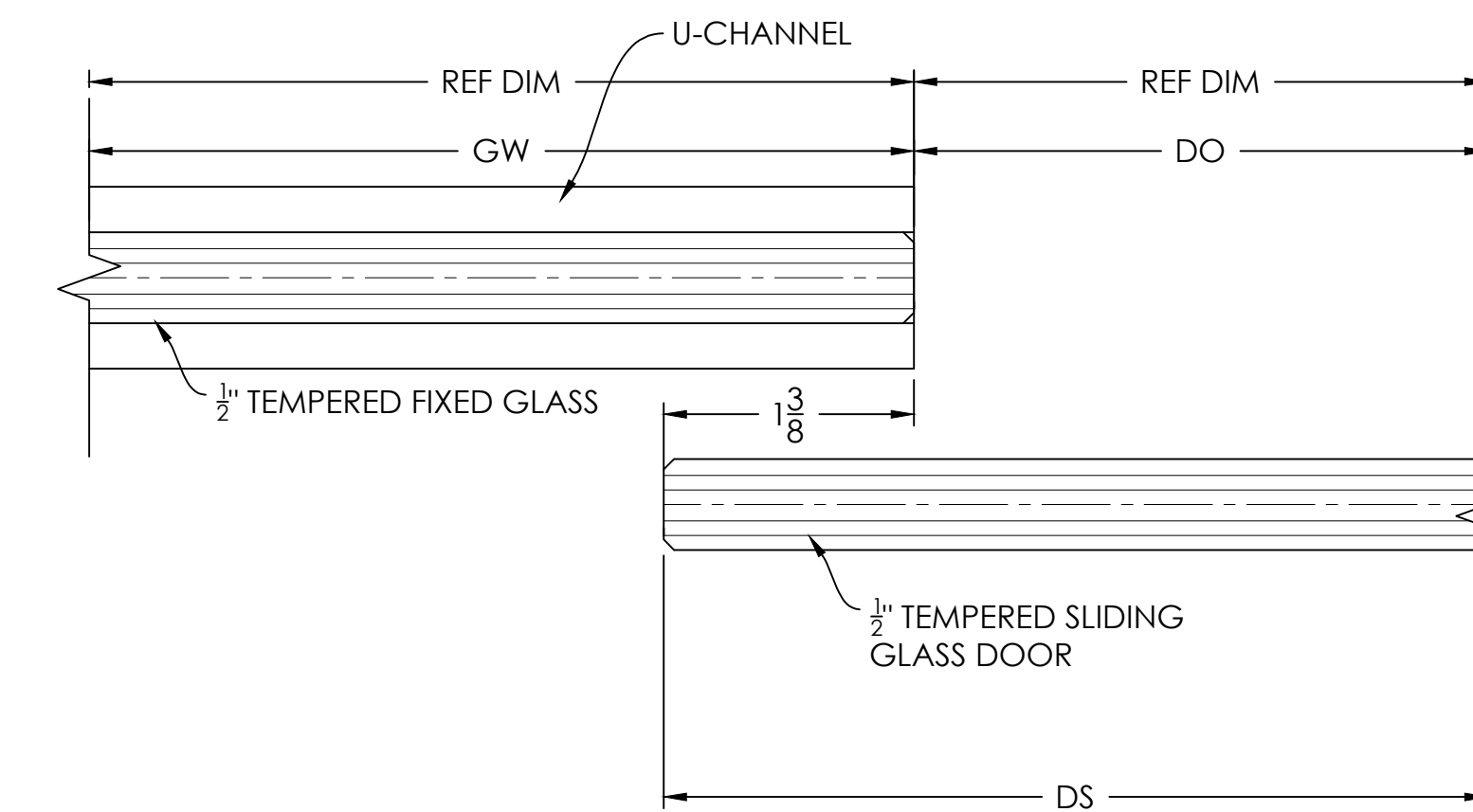
SLIDING GLASS DOOR / FIXED PANEL

DETAIL

4

SCALE= FULL

ARCH. REF.: NONE



VISION DRAFTING, INC.
 3042 Peachtree Industrial Blvd., Suite 400, Atlanta, GA 30339
 TEL: (478) 406-8783
 RGRAHAM@VISIONDRAFTING.NET
 WWW.VISIONDRAFTING.NET

DATE	BY	REVISION NO.
01/19/2022	B.G.	

ARCHITECT/LOCATION
PIRELLI TIRES
 100 GALLERIA PKWY, SUITE 1510
 ATLANTA, GA 30339

SCALE: 1:1
 SHEET NO. 401

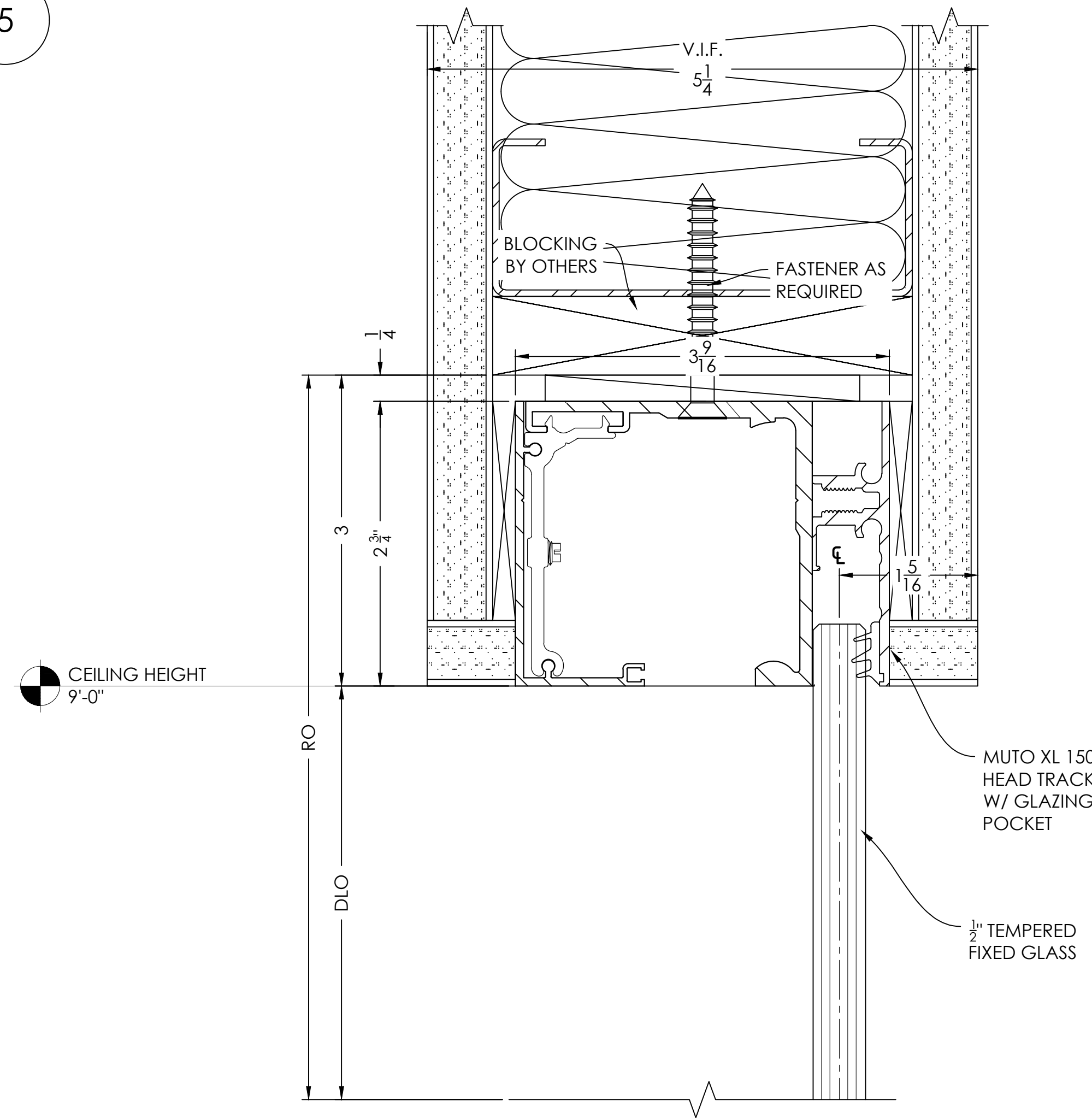
RECESSED HEAD TRACK
AT FIXED GLASS

DETAIL

5

SCALE= FULL

ARCH. REF.: 4/A7.01



GLASS BUTT JOINT

DETAIL

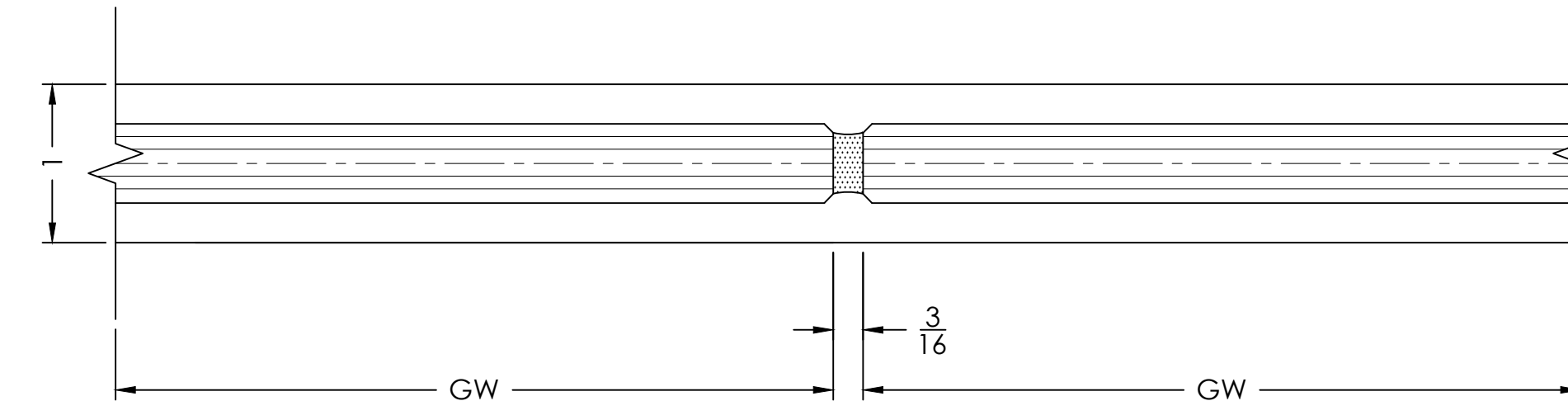
7

SCALE= FULL

ARCH. REF.: NONE

TYPICAL DETAIL NOTES:

- ADEQUATE SUPPORT MUST BE PROVIDED TO WITHSTAND LOADS IMPOSED BY WINDOW SYSTEM
- REFER TO INSTALLATION MANUAL FOR ADD'L INFO



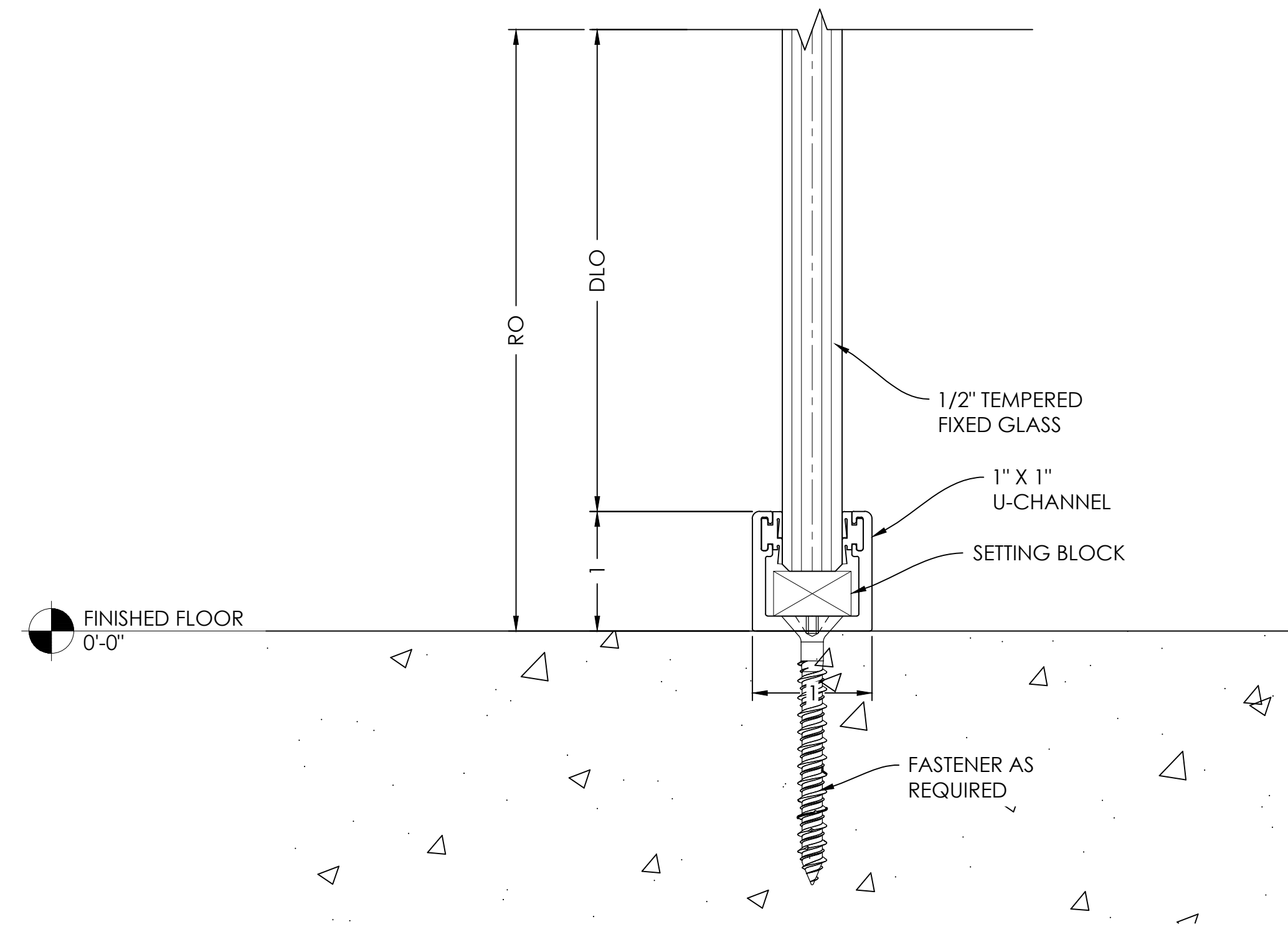
BOTTOM U-CHANNEL

DETAIL

6

SCALE= FULL

ARCH. REF.: NONE



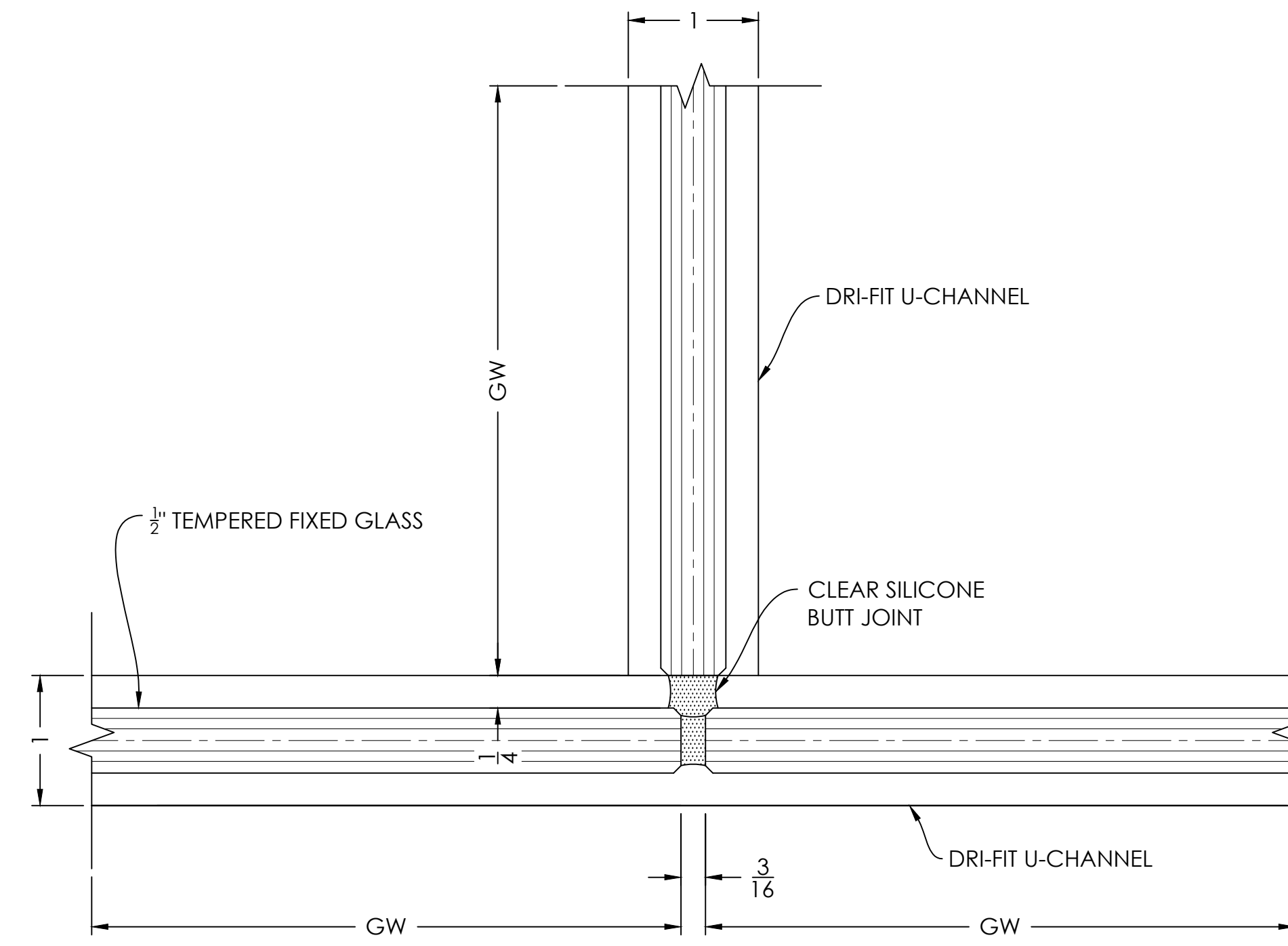
GLASS BUTT JOINT

DETAIL

8

SCALE= FULL

ARCH. REF.: NONE



VISION
DRAFTING,
INC.
1000 Peachtree Industrial Blvd., Suite 400
Atlanta, GA 30339
TEL: (478) 406-8783
RGRAHAM@VISIONDRAFTING.NET
WWW.VISIONDRAFTING.NET

BY	DATE	REVISION NO.
	01/19/2022	B.G.

ARCHITECT/LOCATION

PROJECT NAME/LOCATION

PIRELLI TIRES
100 GALLERIA PKWY, SUITE 1510
ATLANTA, GA 30339

SCALE:

1:1

SHEET NO.

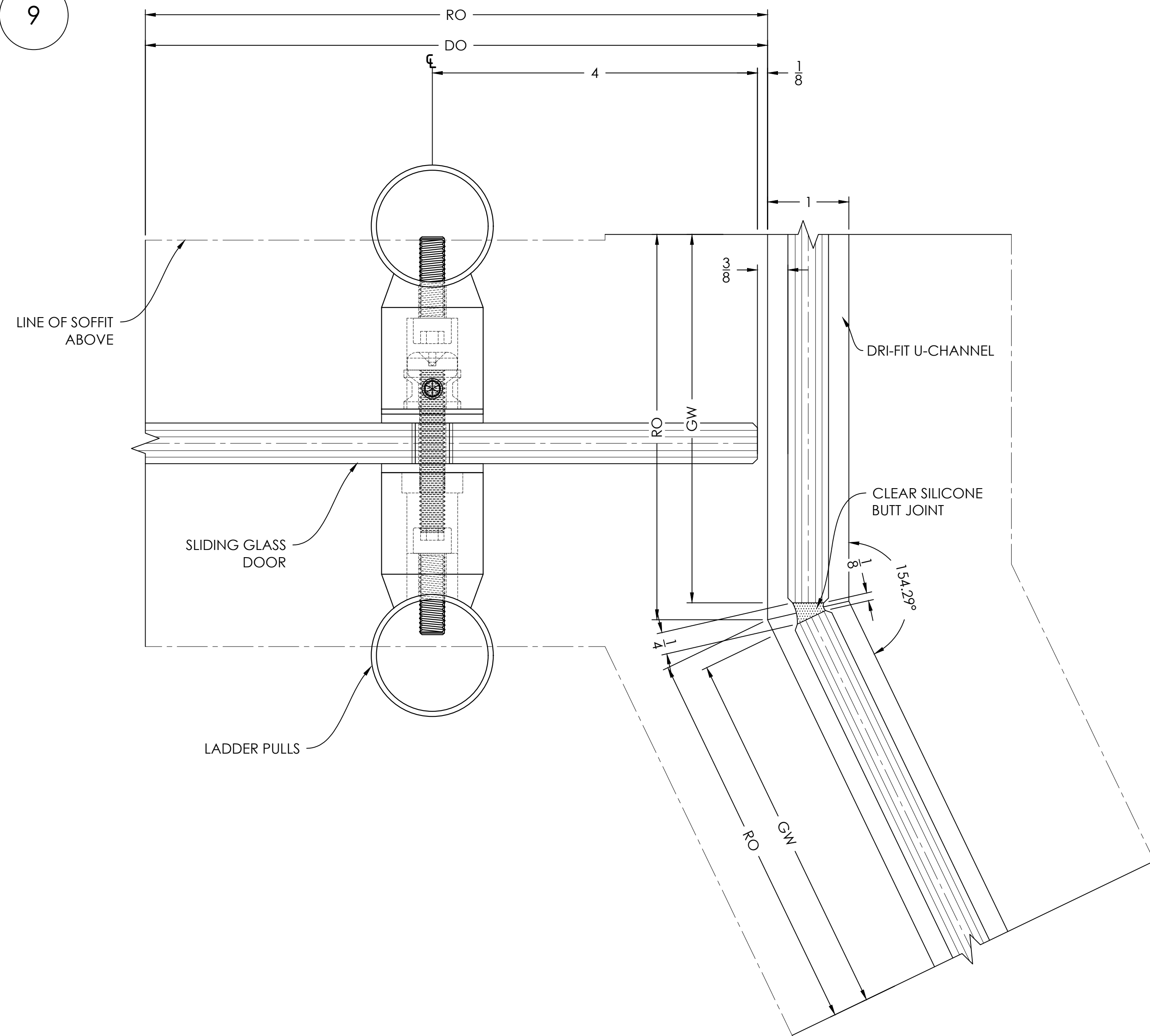
402

SLIDING GLASS DOOR / GLASS BUTT JOINT

DETAIL

9

SCALE= FULL
ARCH. REF.: A1.15

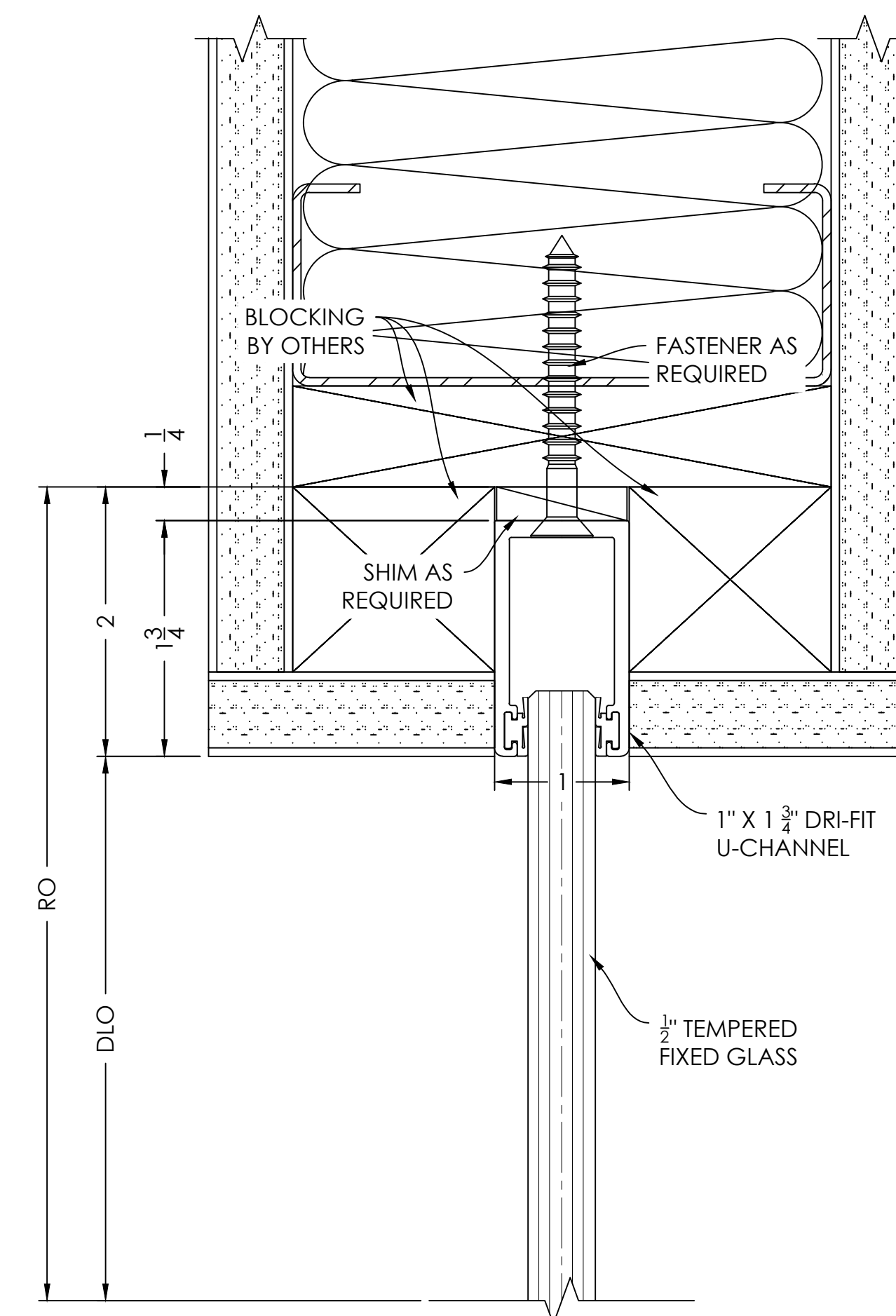


TOP U-CHANNEL

DETAIL

10

SCALE= FULL
ARCH. REF.: 4/A7.01



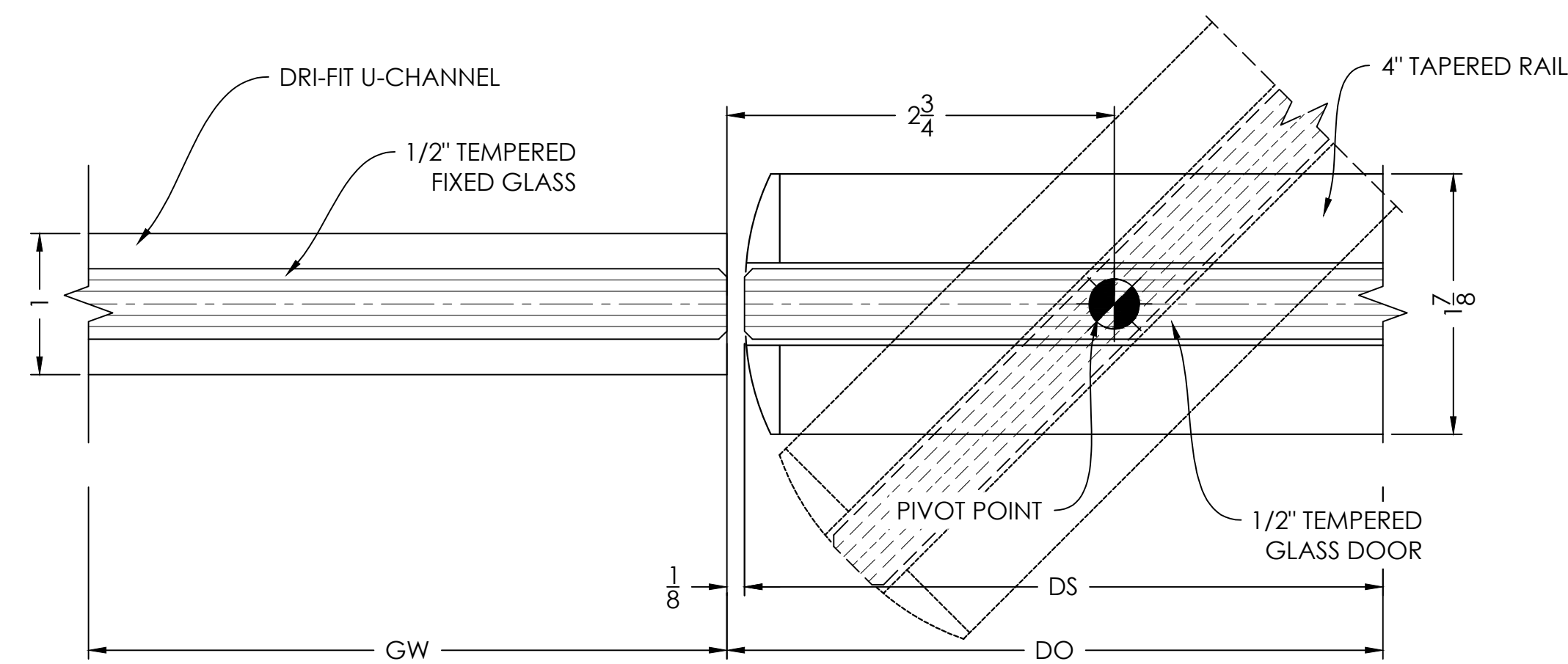
TYPICAL DETAIL NOTES:
• ADEQUATE SUPPORT MUST BE PROVIDED TO WITHSTAND LOADS IMPOSED BY WINDOW SYSTEM
• REFER TO INSTALLATION MANUAL FOR ADD'L INFO

GLASS DOOR AT PIVOT POINT / FIXED GLASS

DETAIL

11

SCALE= FULL
ARCH. REF.: NONE

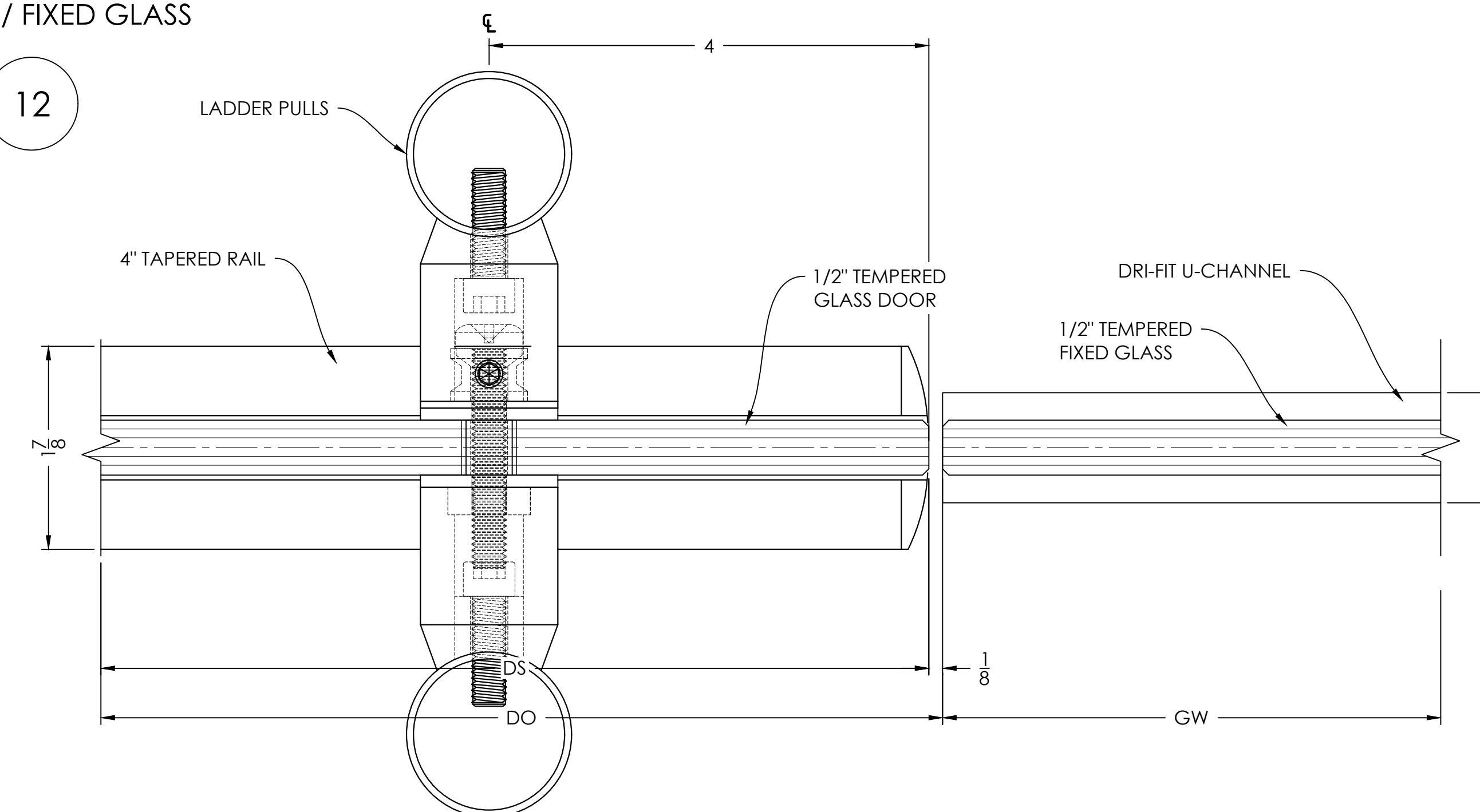


GLASS DOOR / FIXED GLASS

DETAIL

12

SCALE= FULL
ARCH. REF.: NONE



DATE	BY	REVISION NO.
01/19/2022	B.G.	1ST APPROVAL

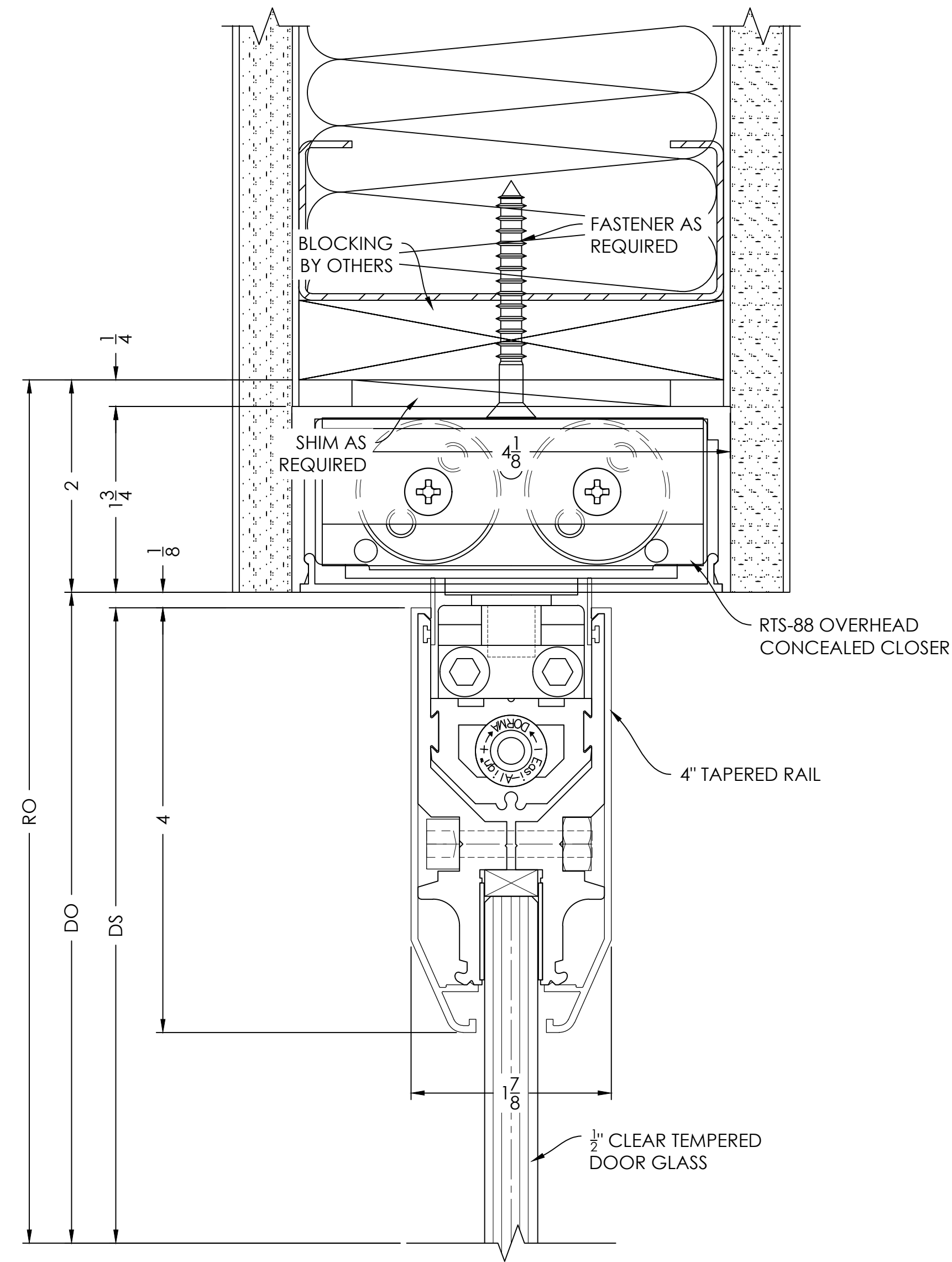
PROJECT NAME/LOCATION
PIRELLI TIRES
100 GALLERIA PKWY, SUITE 1510
ATLANTA, GA 30339

DOOR HEADER

DETAIL

13

SCALE= FULL
ARCH. REF.: 4/A7.01



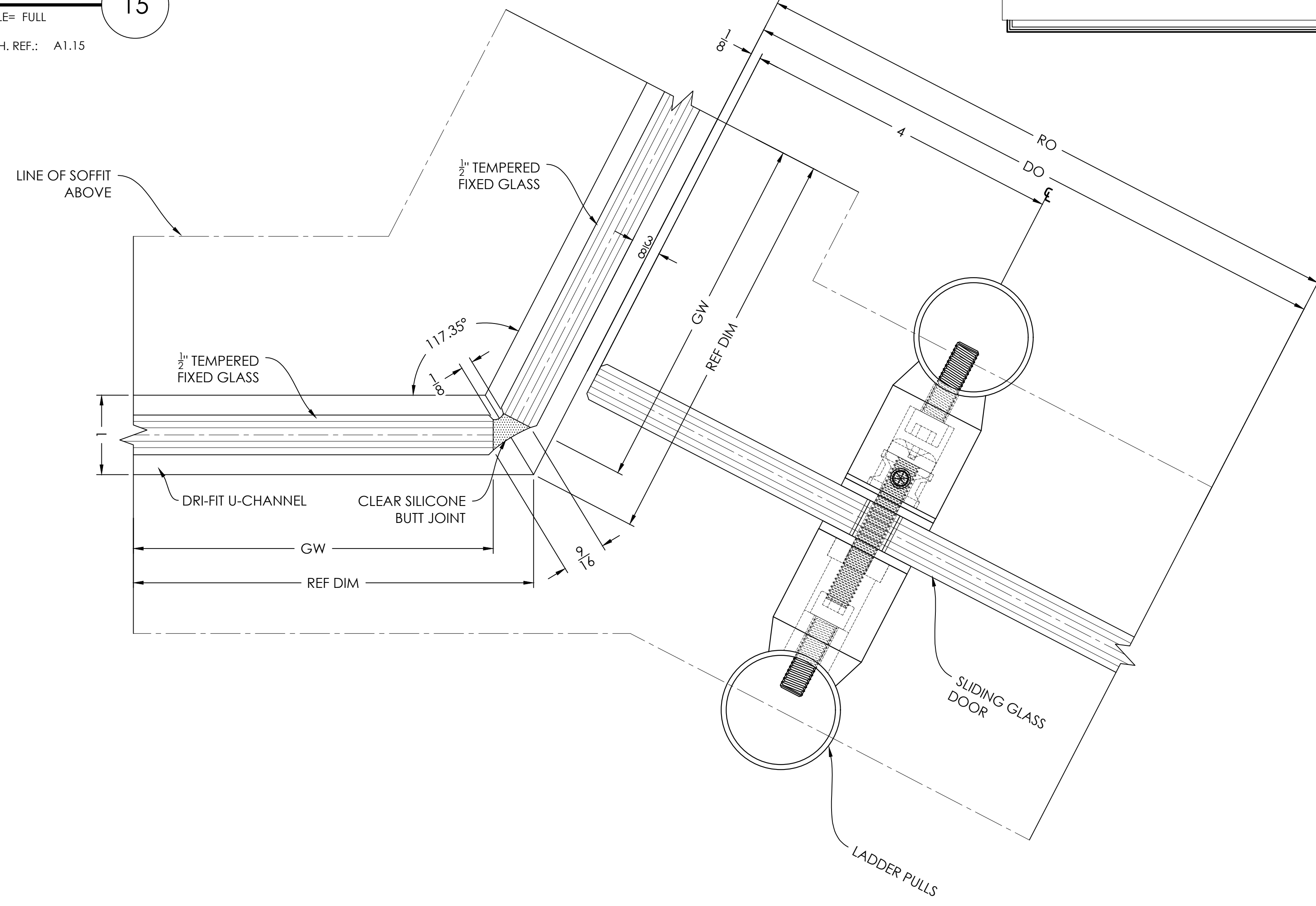
SLIDING GLASS DOOR / GLASS BUTT JOINT

DETAIL

15

SCALE= FULL
ARCH. REF.: A1.15

TYPICAL DETAIL NOTES:
• ADEQUATE SUPPORT MUST BE PROVIDED TO WITHSTAND LOADS IMPOSED BY WINDOW SYSTEM
• REFER TO INSTALLATION MANUAL FOR ADD'L INFO

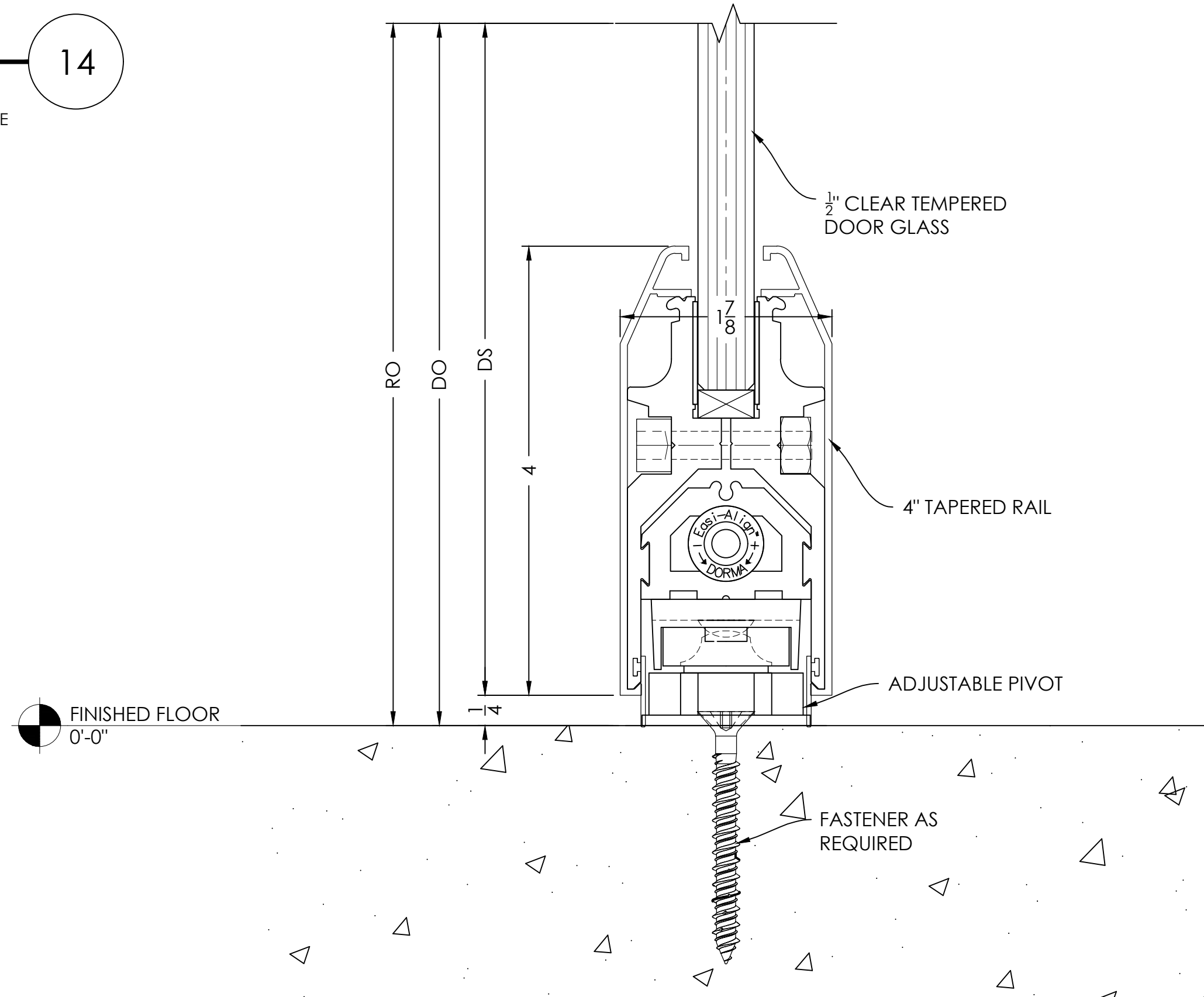


BOTTOM RAIL

DETAIL

14

SCALE= FULL
ARCH. REF.: NONE

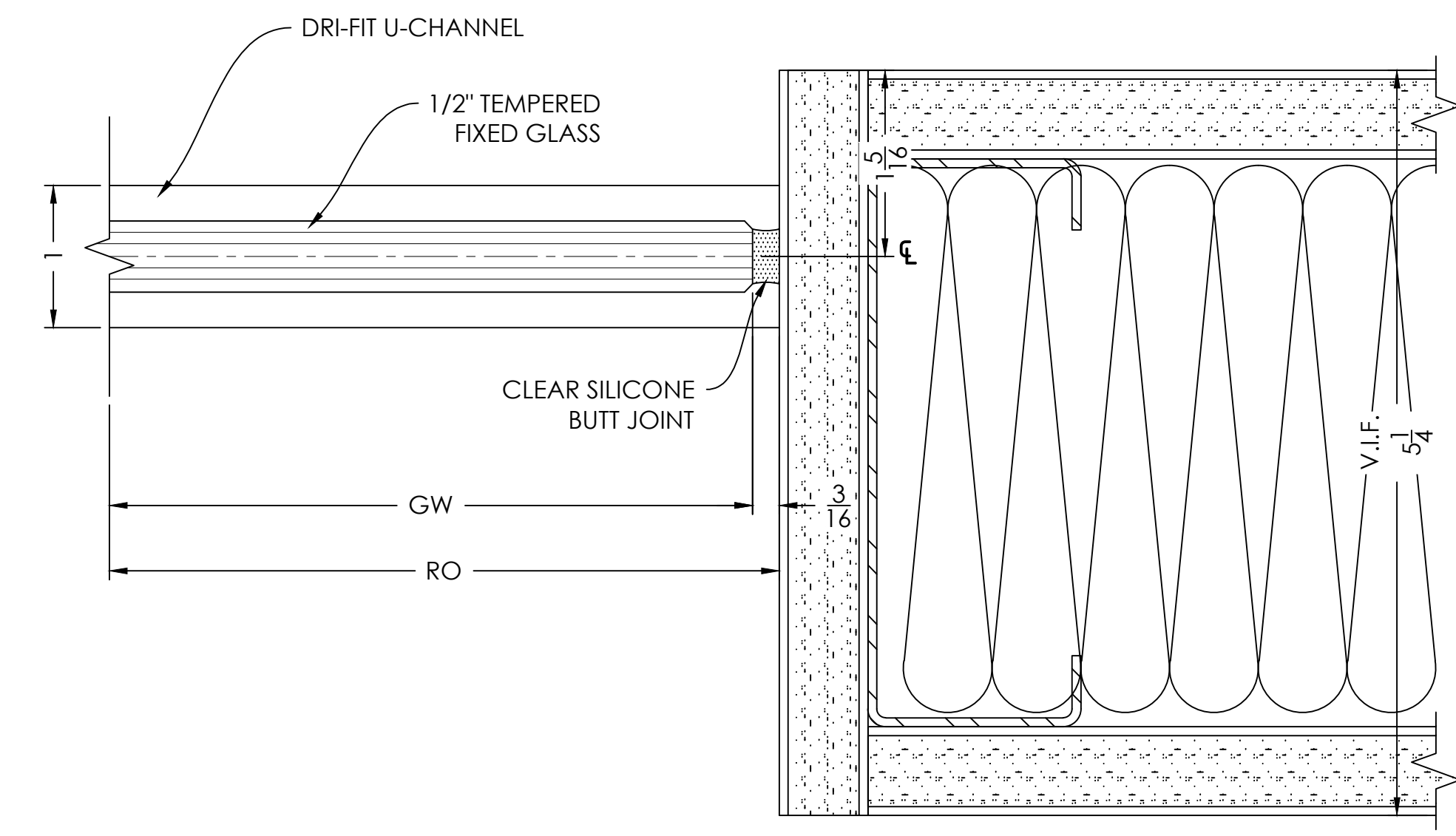


GLASS JAMB

DETAIL

16

SCALE= FULL
ARCH. REF.: A1.15



TEL: (478) 406-9793
RGRAHAM@VISIONDRAFTING.NET
WWW.VISIONDRAFTING.NET

DATE	BY	REVISION NO.
01/19/2022	B.G.	1ST APPROVAL

ARCHITECT/LOCATION
PIRELLI TIRES
100 GALLERIA PKWY, SUITE 1510
ATLANTA, GA 30339

SCALE: 1:1
SHEET NO. 404

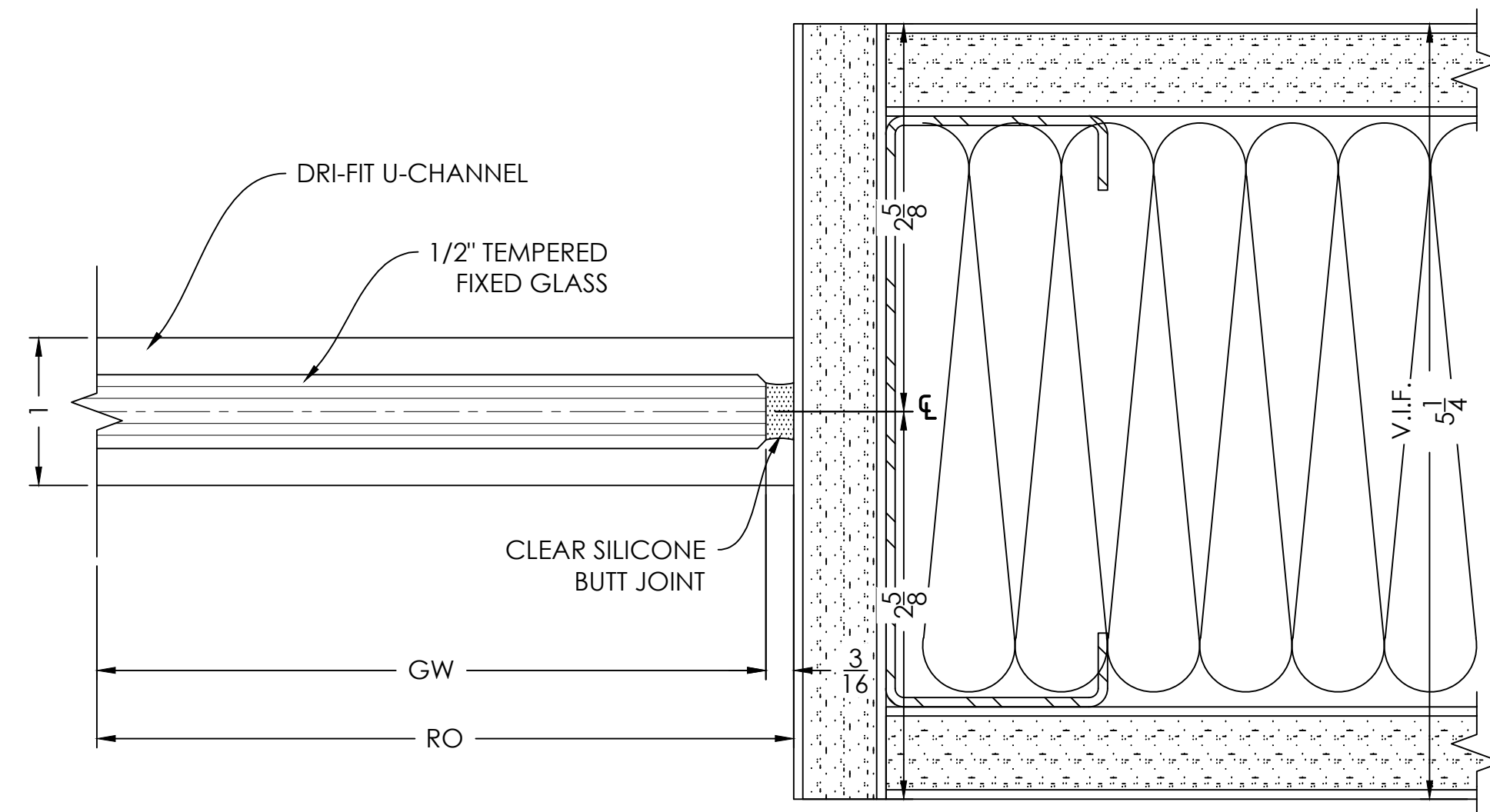
GLASS JAMB

DETAIL

SCALE= FULL

ARCH. REF.: A1.15

17



SLIDING DOOR HEADER (OPEN POSITION) AND FIXED GLASS

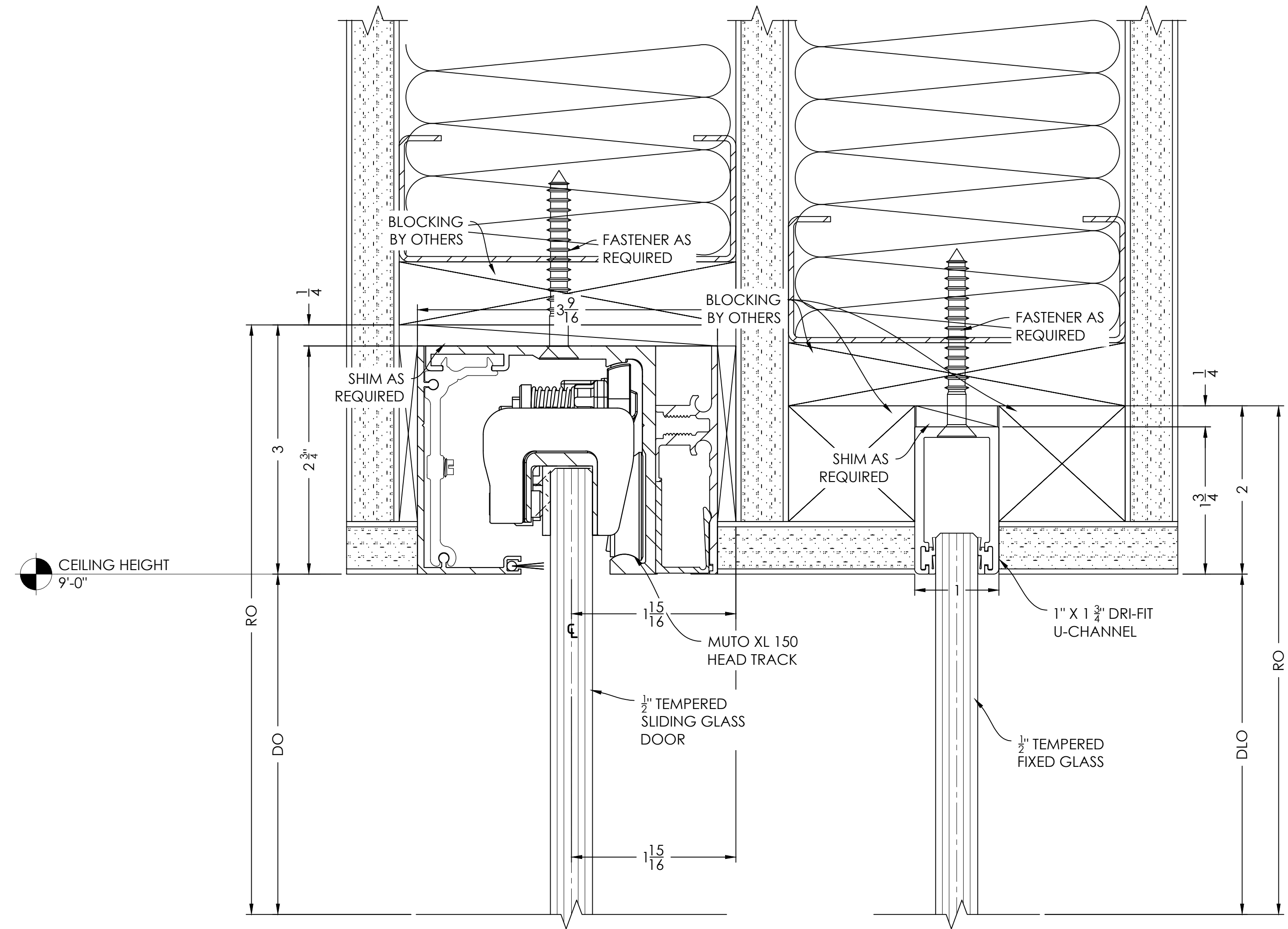
DETAIL

SCALE= FULL

ARCH. REF.: NONE

18

TYPICAL DETAIL NOTES:
 • ADEQUATE SUPPORT MUST BE PROVIDED TO WITHSTAND LOADS IMPOSED BY WINDOW SYSTEM
 • REFER TO INSTALLATION MANUAL FOR ADD'L INFO



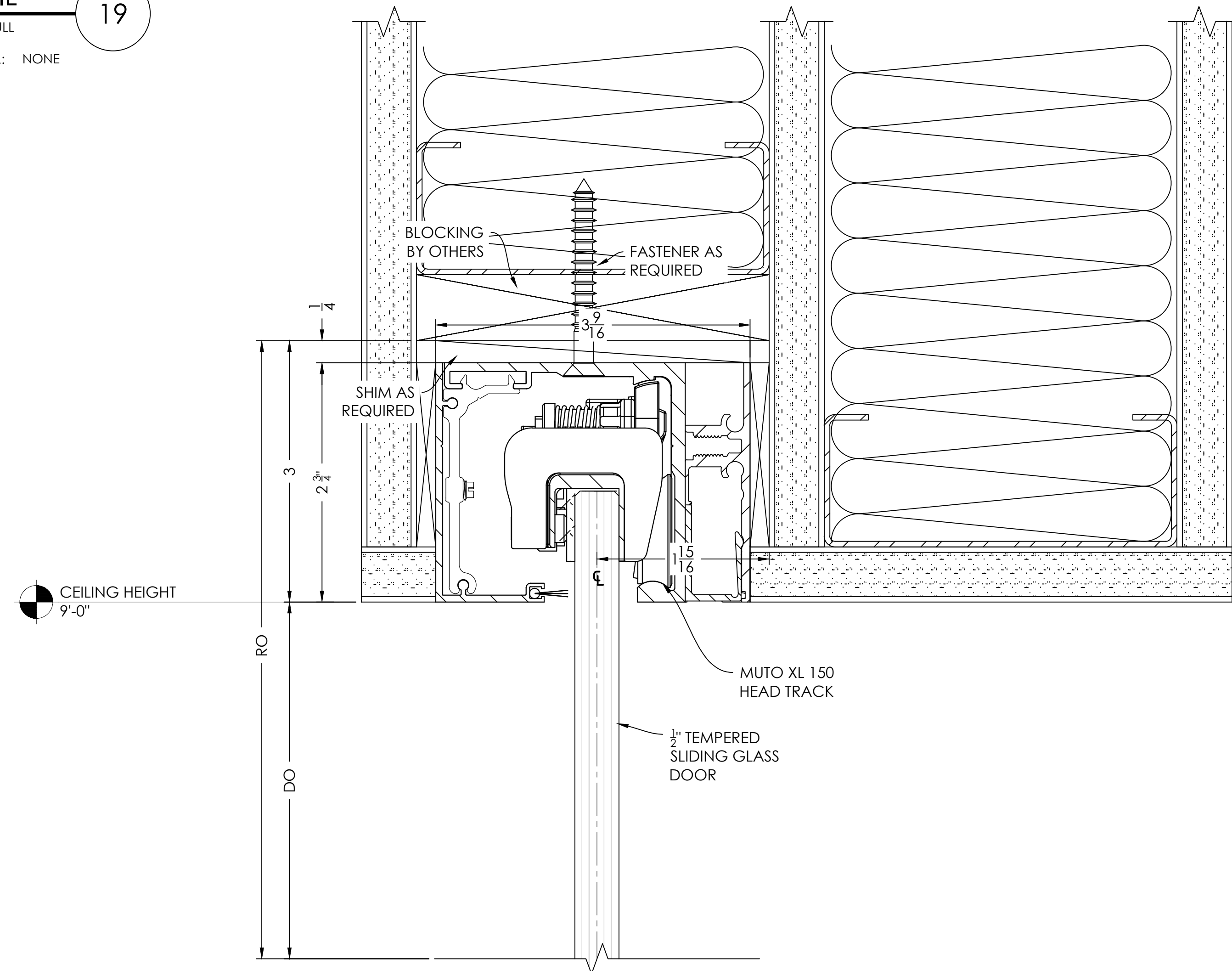
SLIDING DOOR HEADER (CLOSED POSITION)

DETAIL

SCALE= FULL

ARCH. REF.: NONE

19



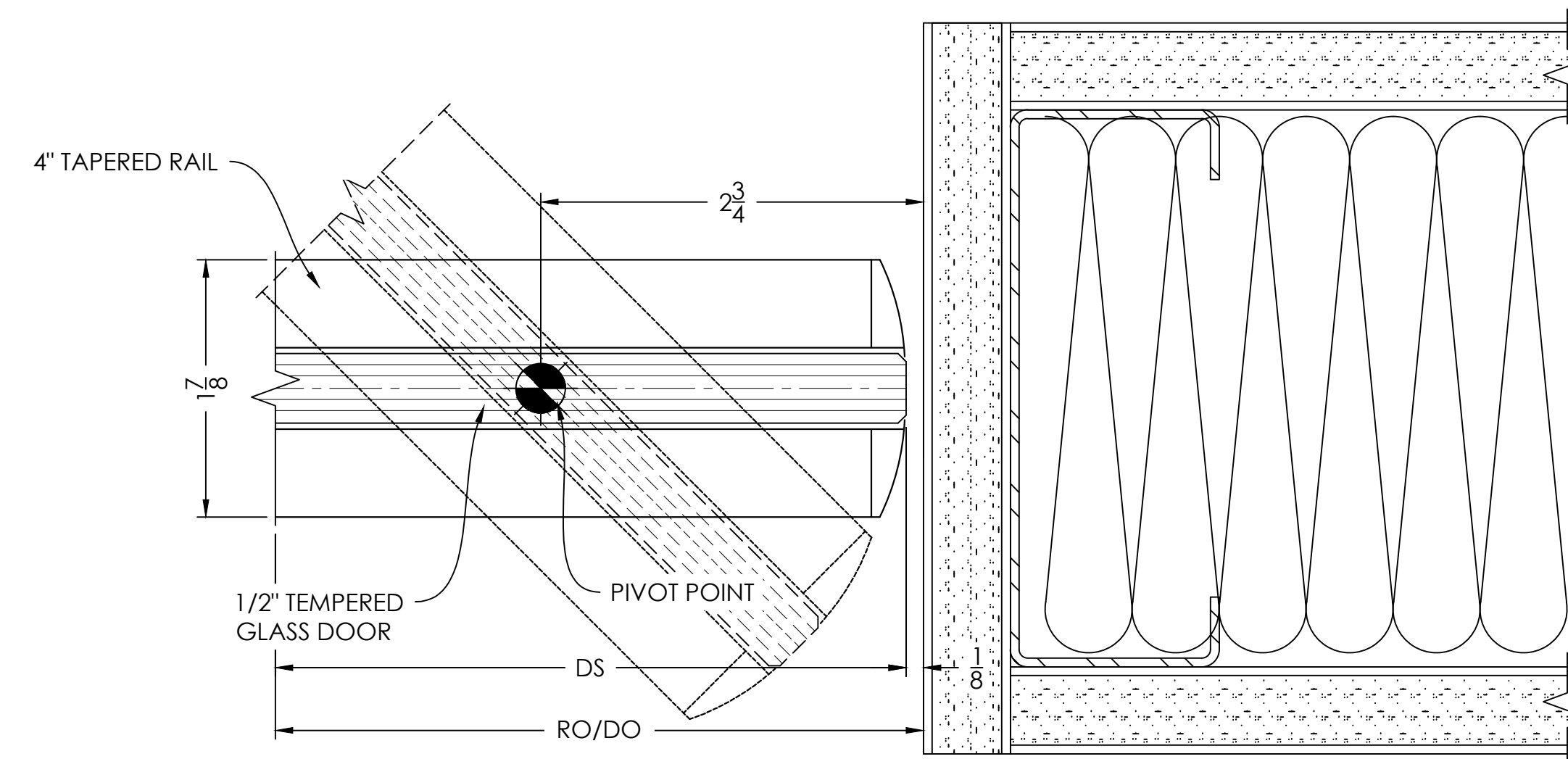
GLASS DOOR AT PIVOT POINT

DETAIL

SCALE= FULL

ARCH. REF.: NONE

22



TEL: (478) 466-8783
 RGRAHAM@VISIONDRAFTING.NET
 WWW.VISIONDRAFTING.NET

DATE	BY	REVISION NO.
01/19/2022	B.G.	

DATE	BY	REVISION NO.

PROJECT NAME/LOCATION
PIRELLI TIRES
 100 GALLERIA PKWY, SUITE 1510
 ATLANTA, GA 30339

SCALE: 1:1

SHEET NO.

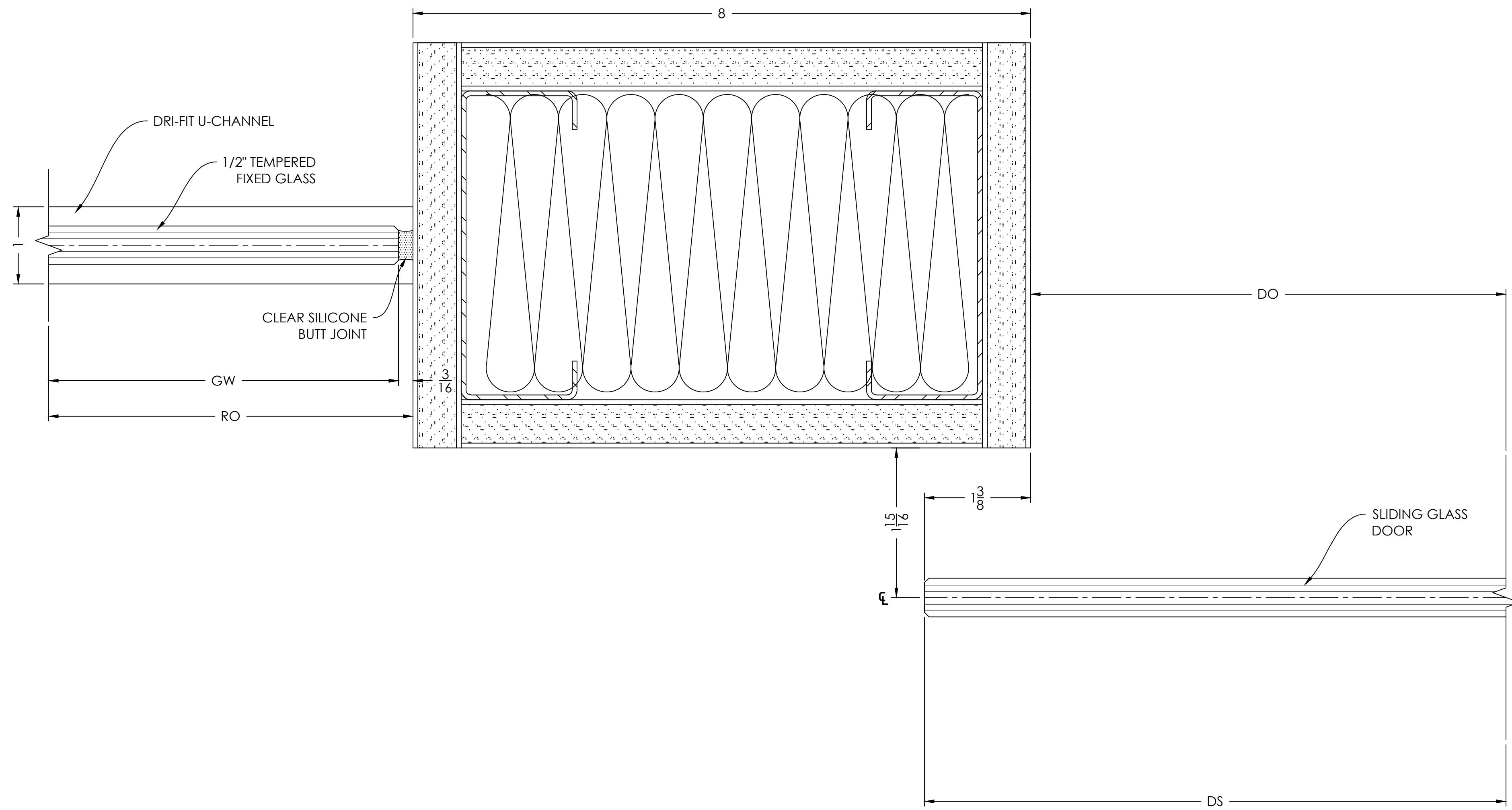
FIXED GLASS JAMB /
SLIDING GLASS DOOR

DETAIL

21

SCALE= FULL

ARCH. REF.: A1.15



SLIDING GLASS DOOR

DETAIL

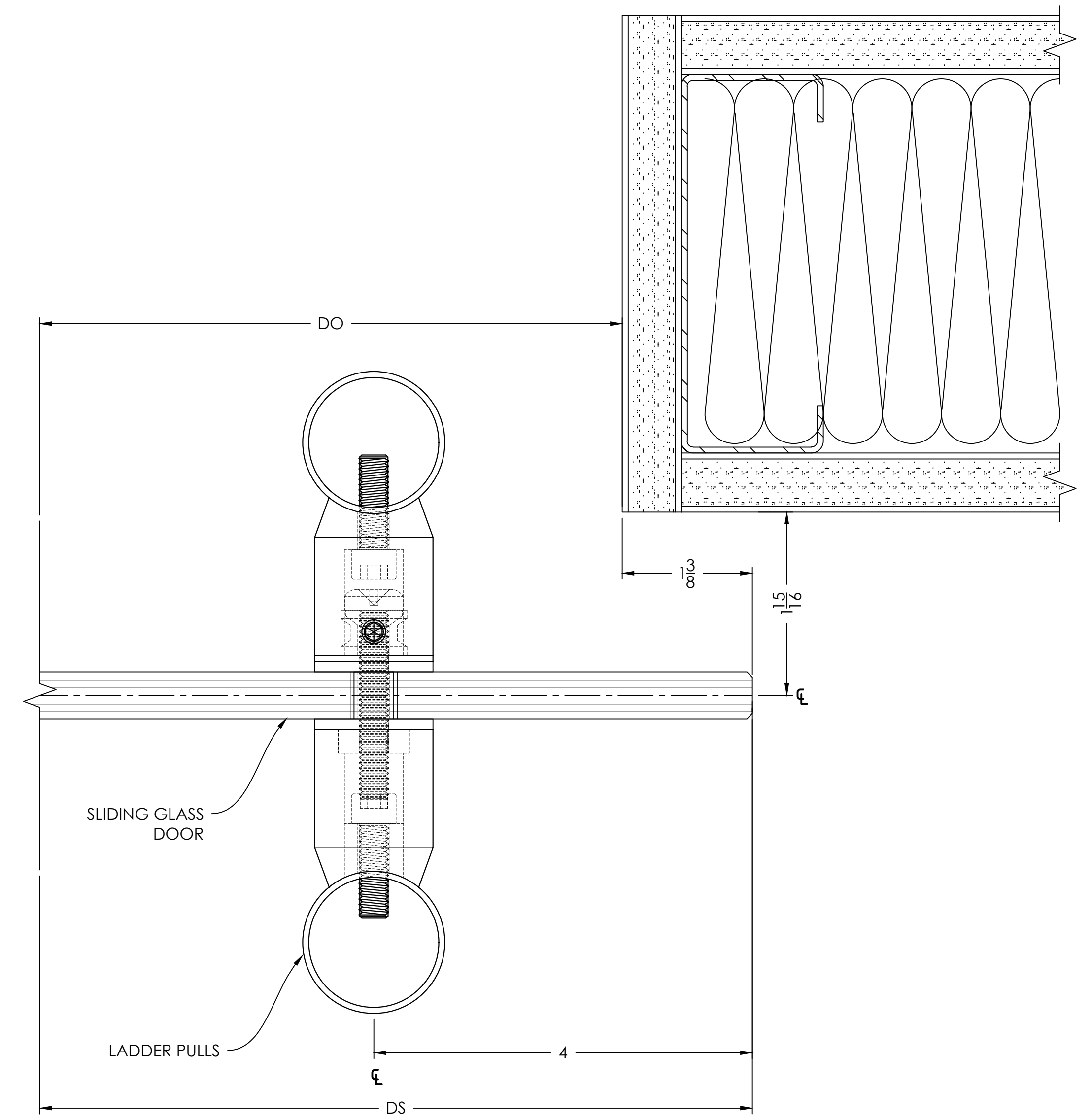
20

SCALE= FULL

ARCH. REF.: A1.15

TYPICAL DETAIL NOTES:

- ADEQUATE SUPPORT MUST BE PROVIDED TO WITHSTAND LOADS IMPOSED BY WINDOW SYSTEM
- REFER TO INSTALLATION MANUAL FOR ADD'L INFO



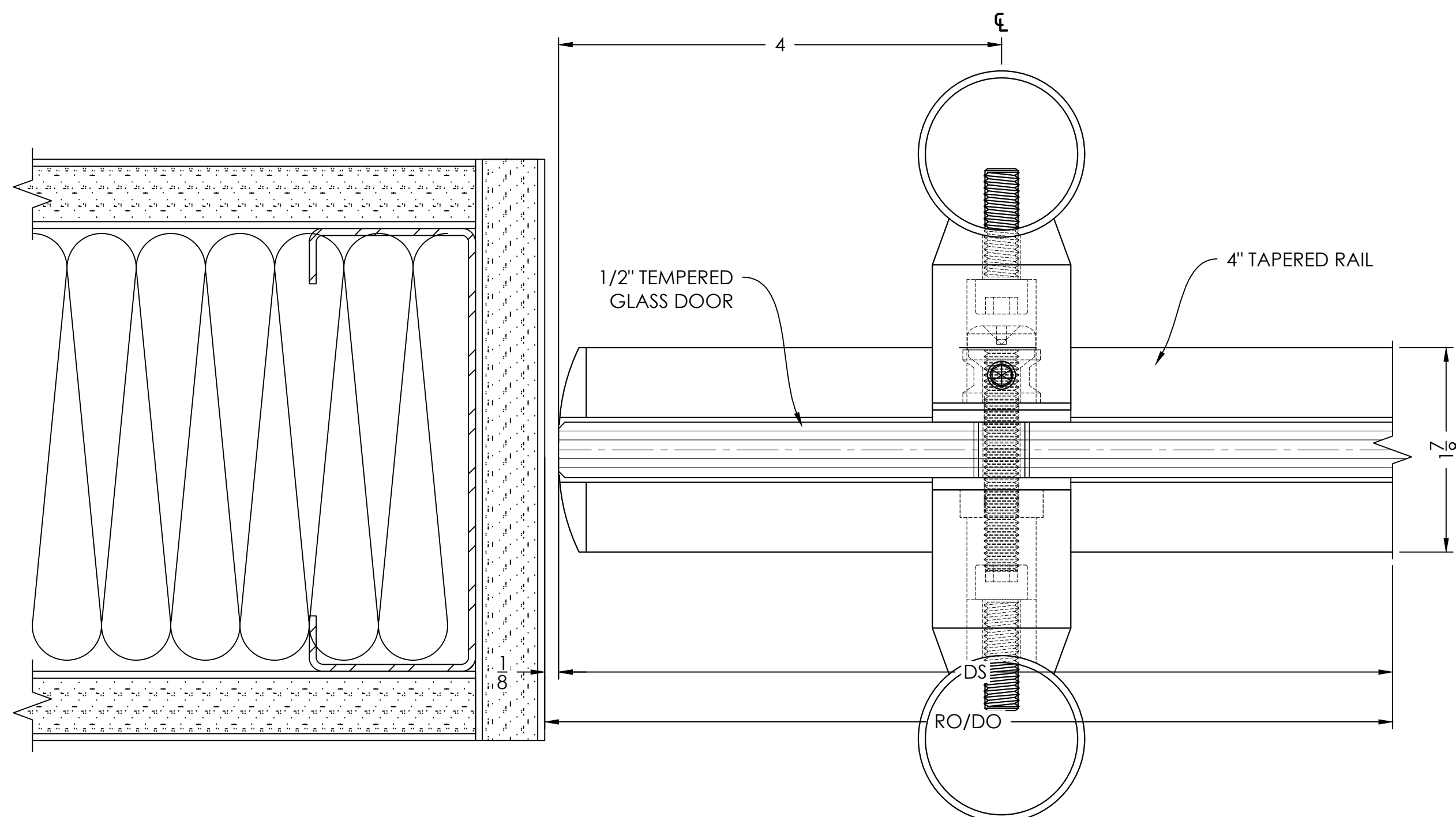
GLASS DOOR

DETAIL

23

SCALE= FULL

ARCH. REF.: NONE



VISION DRAFTING, INC.
1000 Peachtree Industrial Blvd., Suite 300, Atlanta, GA 30339
TEL: (478) 446-8783
RGRAHAM@VISIONDRAFTING.NET
WWW.VISIONDRAFTING.NET

DATE	BY	REVISION NO.
01/19/2022	B.G.	1ST APPROVAL

ARCHITECT/LOCATION
PIRELLI TIRES
100 GALLERIA PKWY, SUITE 1510
ATLANTA, GA 30339

SCALE: 1:1

SHEET NO. 406

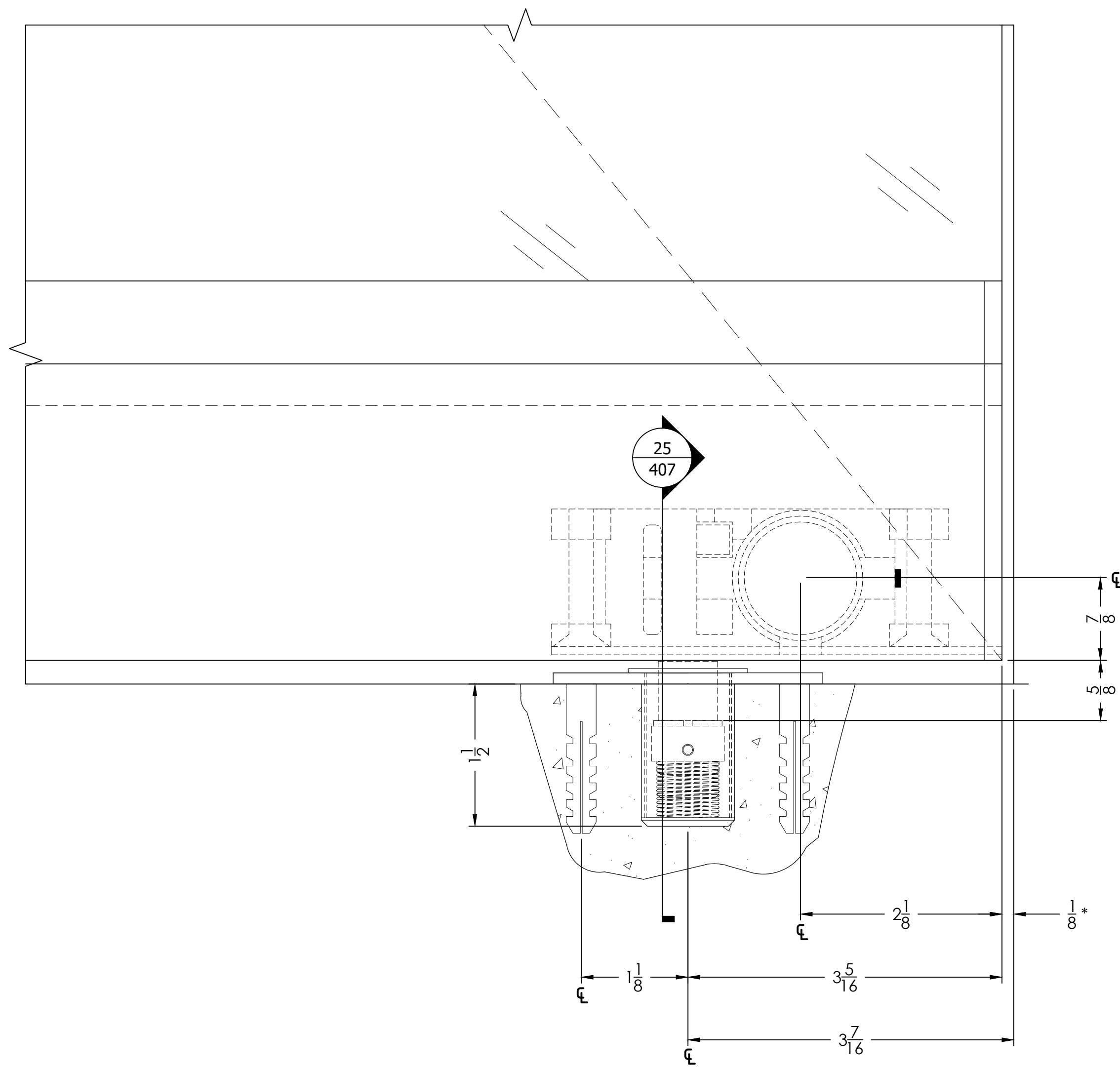
BOTTOM RAIL LOCK

DETAIL

SCALE= FULL

ARCH. REF.: NONE

24



AR20 PATCH LOCK

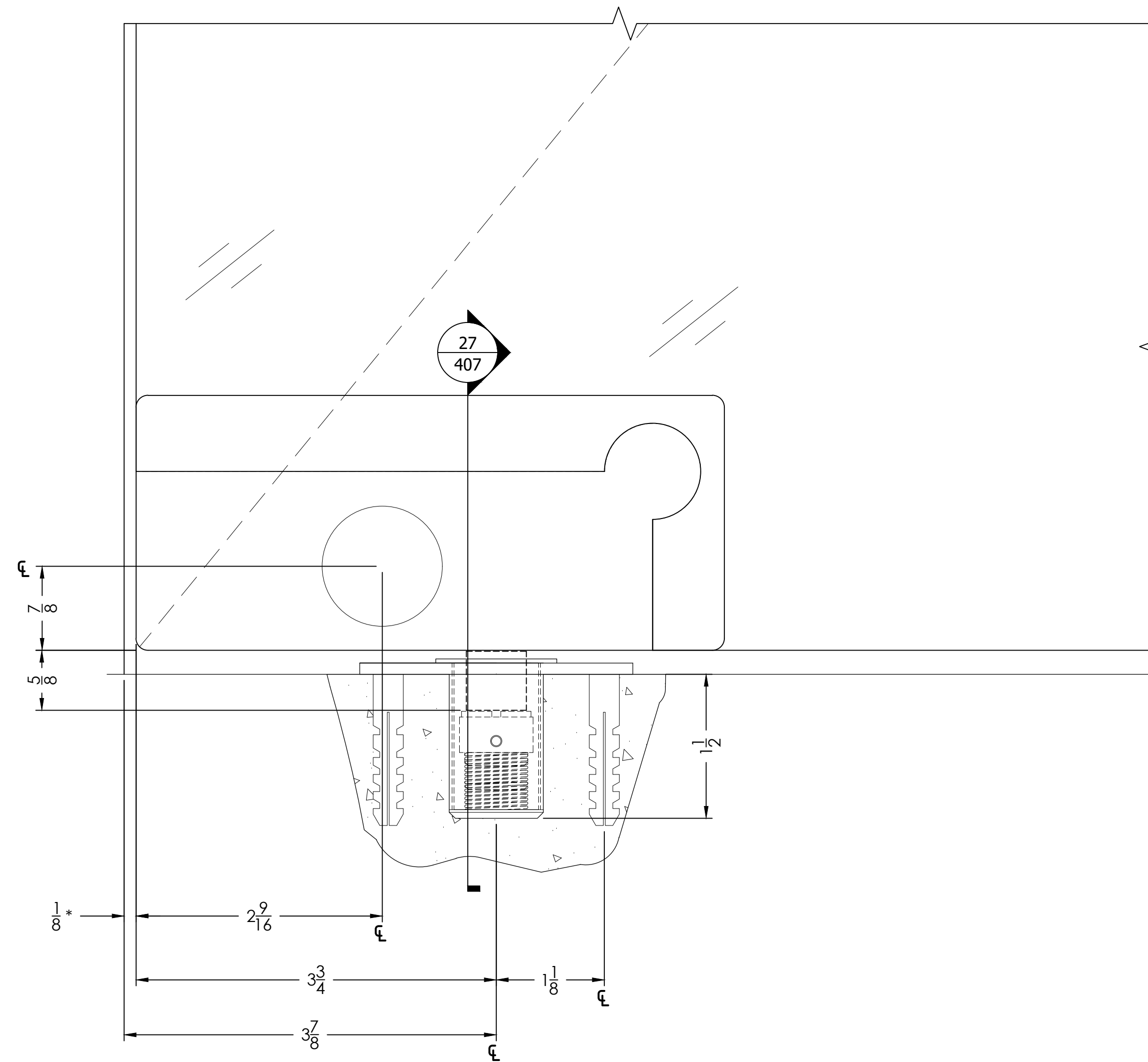
DETAIL

SCALE= FULL

ARCH. REF.: NONE

26

TYPICAL DETAIL NOTES:
 • ADEQUATE SUPPORT MUST BE PROVIDED TO WITHSTAND LOADS IMPOSED BY WINDOW SYSTEM
 • REFER TO INSTALLATION MANUAL FOR ADD'L INFO



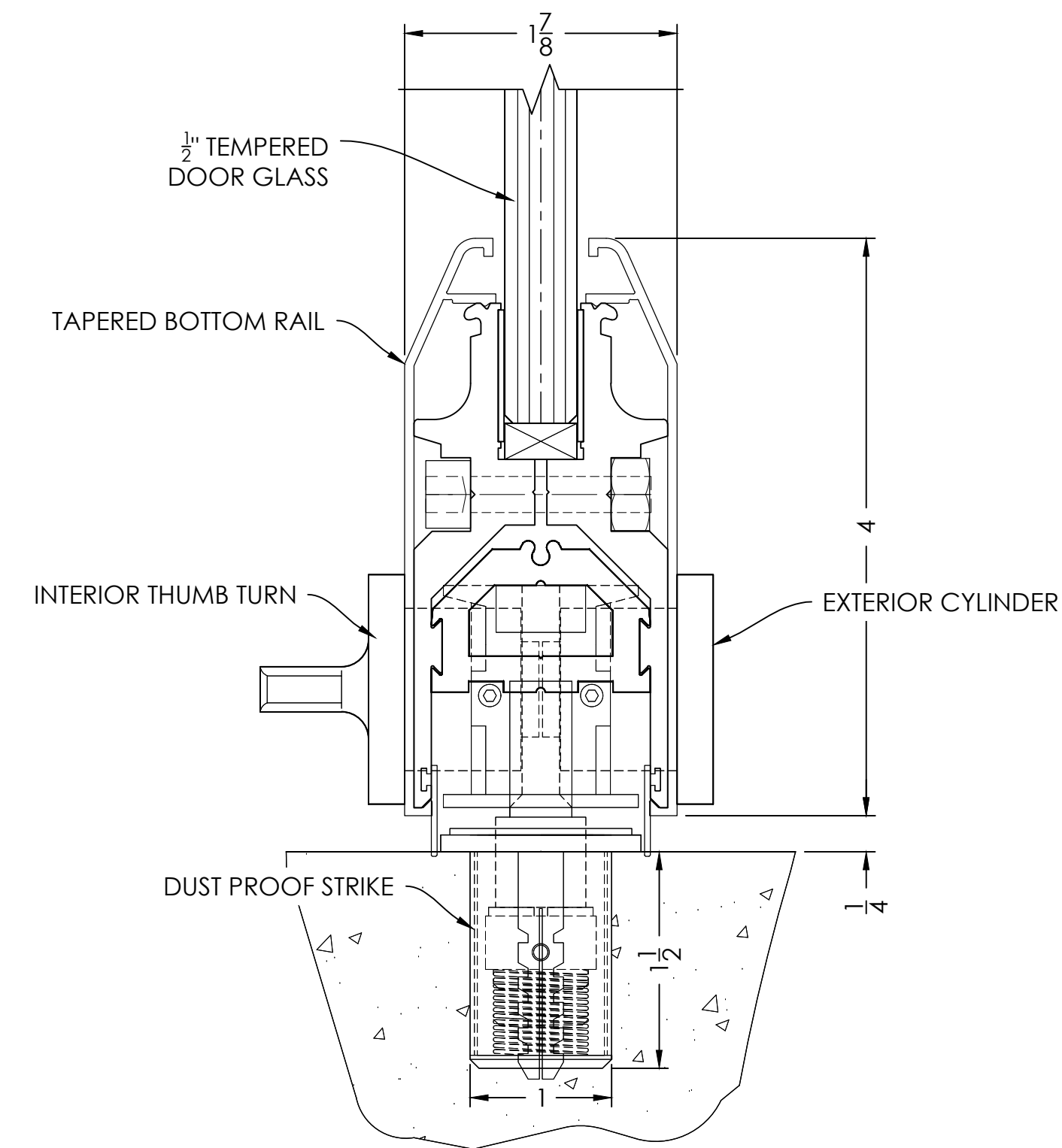
BOTTOM RAIL LOCK

DETAIL

SCALE= FULL

ARCH. REF.: NONE

25



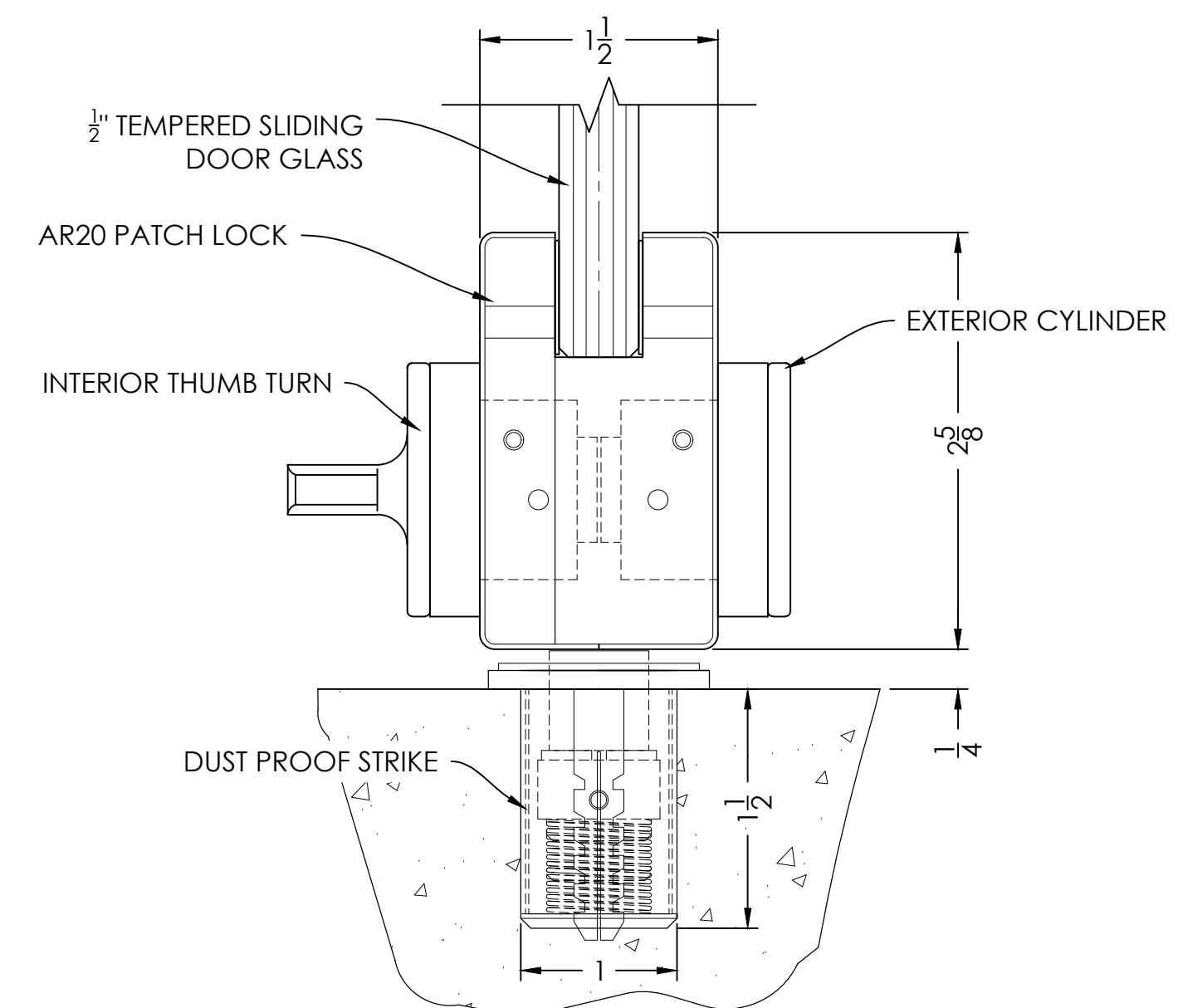
AR20 PATCH LOCK

DETAIL

SCALE= FULL

ARCH. REF.: NONE

27



VISION DRAFTING, INC.
 800-441-0001
 TEL. (478) 406-8783
 RGRAHAM@VISIONDRAFTING.NET
 WWW.VISIONDRAFTING.NET

DATE	BY	REVISION NO.
01/19/2022	B.G.	

ARCHITECT/LOCATION

PROJECT NAME/LOCATION

PIRELLI TIRES
 100 GALLERIA PKWY, SUITE 1510
 ATLANTA, GA 30339

SCALE:

1:1

SHEET NO.

407

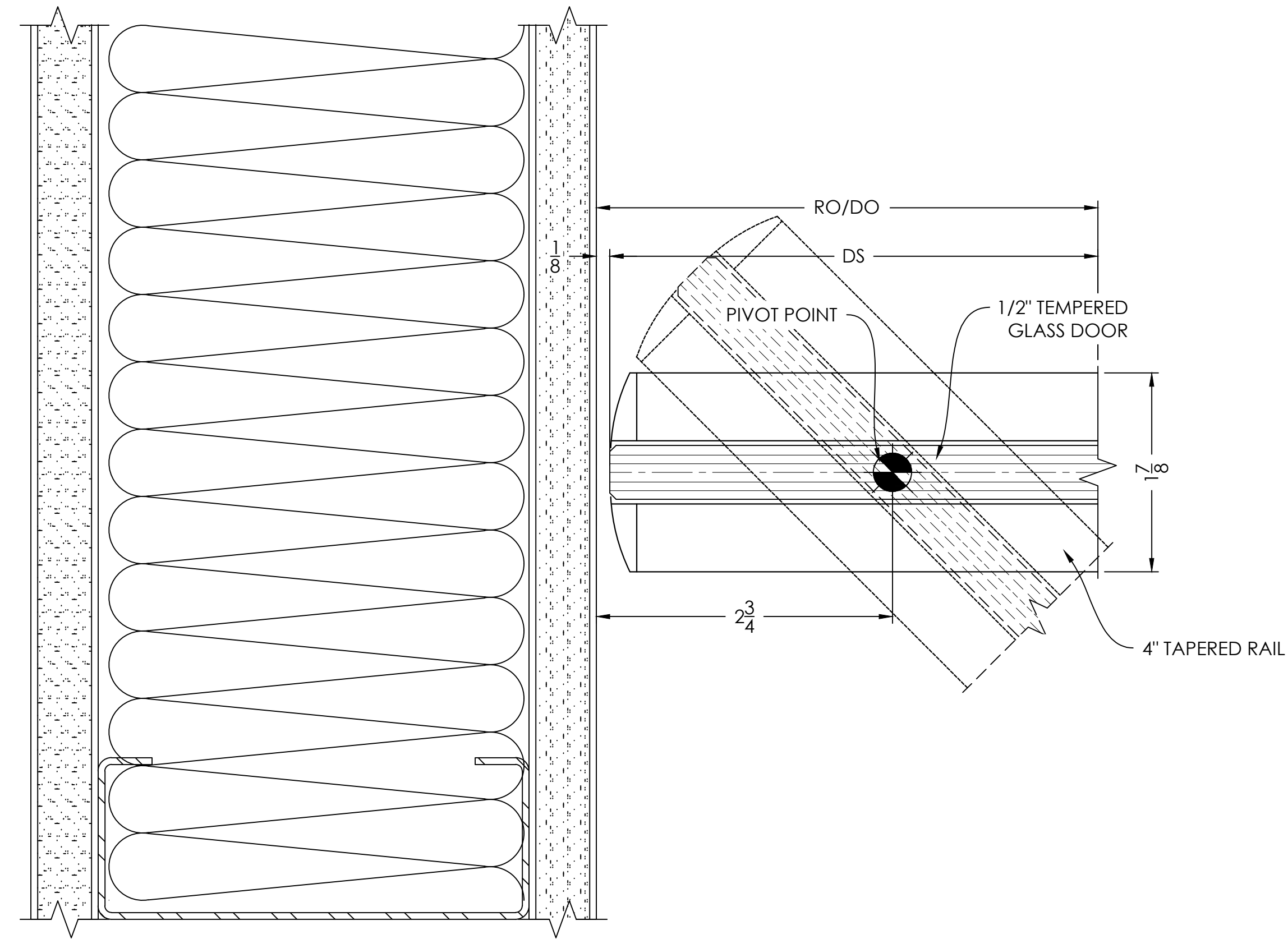
GLASS DOOR AT PIVOT POINT

DETAIL

28

SCALE= FULL

ARCH. REF.: NONE



GLASS JAMB

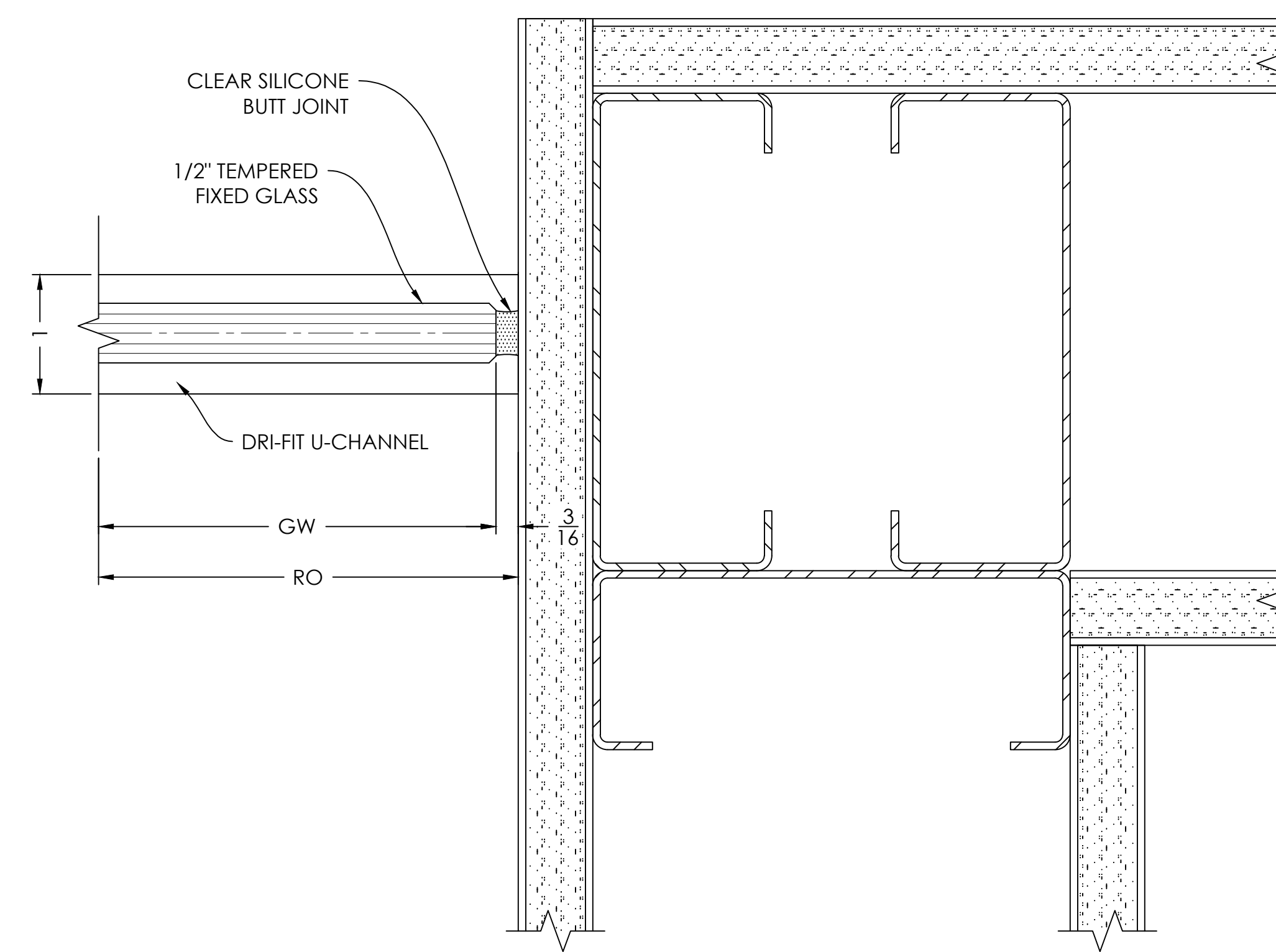
DETAIL

29

SCALE= FULL

ARCH. REF.: A1.15

- TYPICAL DETAIL NOTES:
- ADEQUATE SUPPORT MUST BE PROVIDED TO WITHSTAND LOADS IMPOSED BY WINDOW SYSTEM
 - REFER TO INSTALLATION MANUAL FOR ADD'L INFO



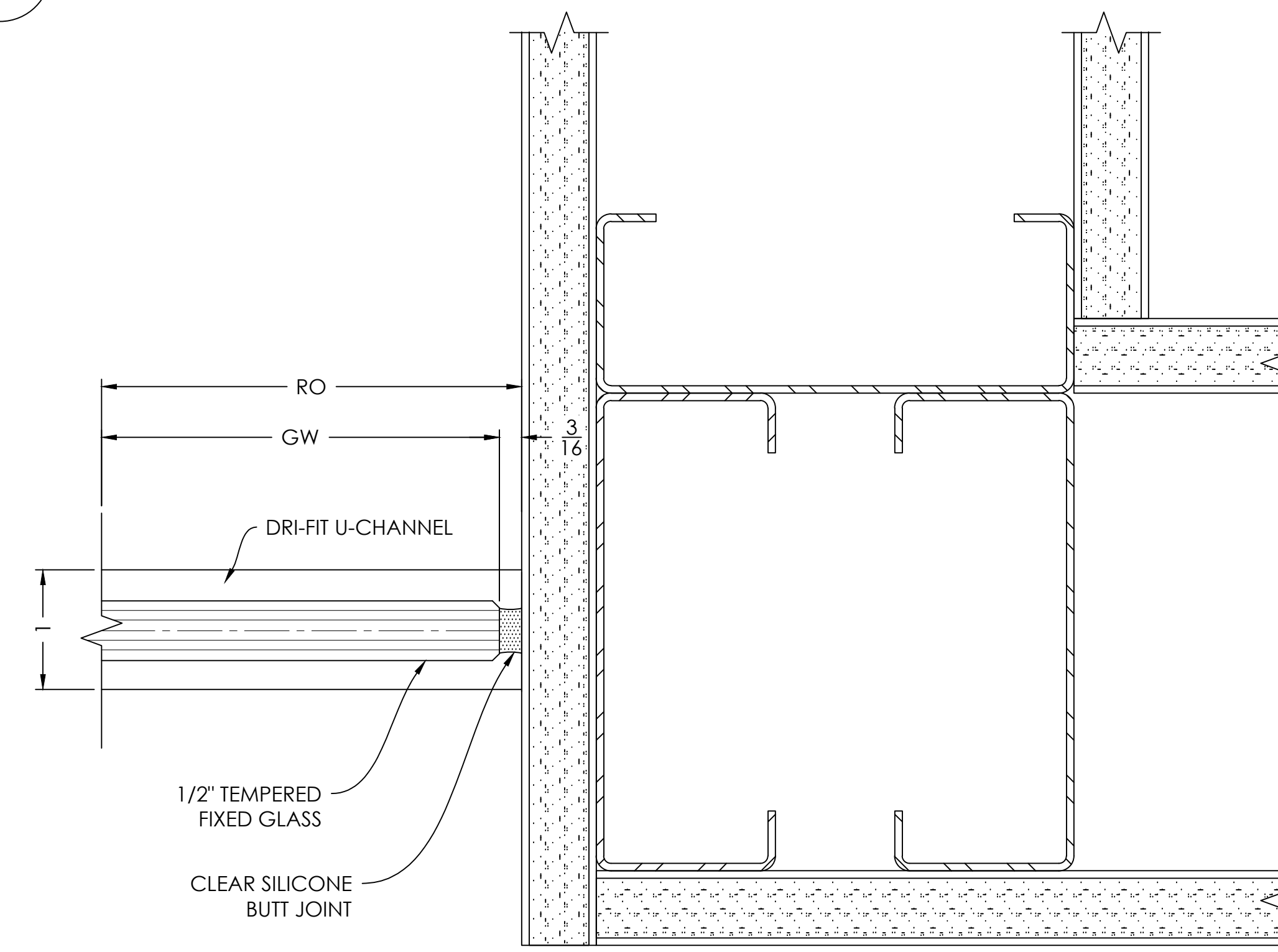
GLASS JAMB

DETAIL

30

SCALE= FULL

ARCH. REF.: A1.15



VISION DRAFTING, INC.
 3030 Peachtree Industrial Blvd., Suite 200, Atlanta, GA 30329
 TEL: (478) 406-8783
 RGRAHAM@VISIONDRAFTING.NET
 WWW.VISIONDRAFTING.NET

BY	DATE	REVISION NO.
	01/19/2022	B.G.

PROJECT NAME/LOCATION
PIRELLI TIRES
 100 GALLERIA PKWY, SUITE 1510
 ATLANTA, GA 30339

SCALE:
 1:1

SHEET NO.
 408